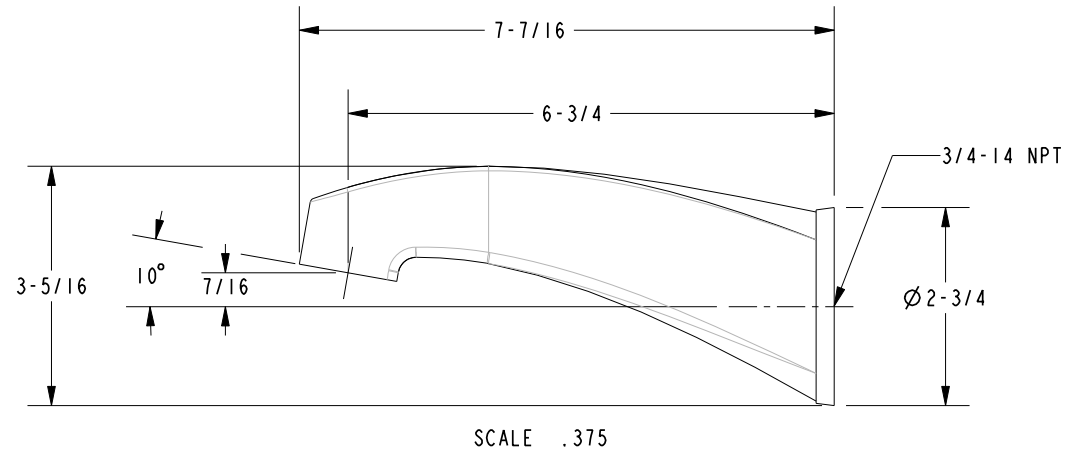
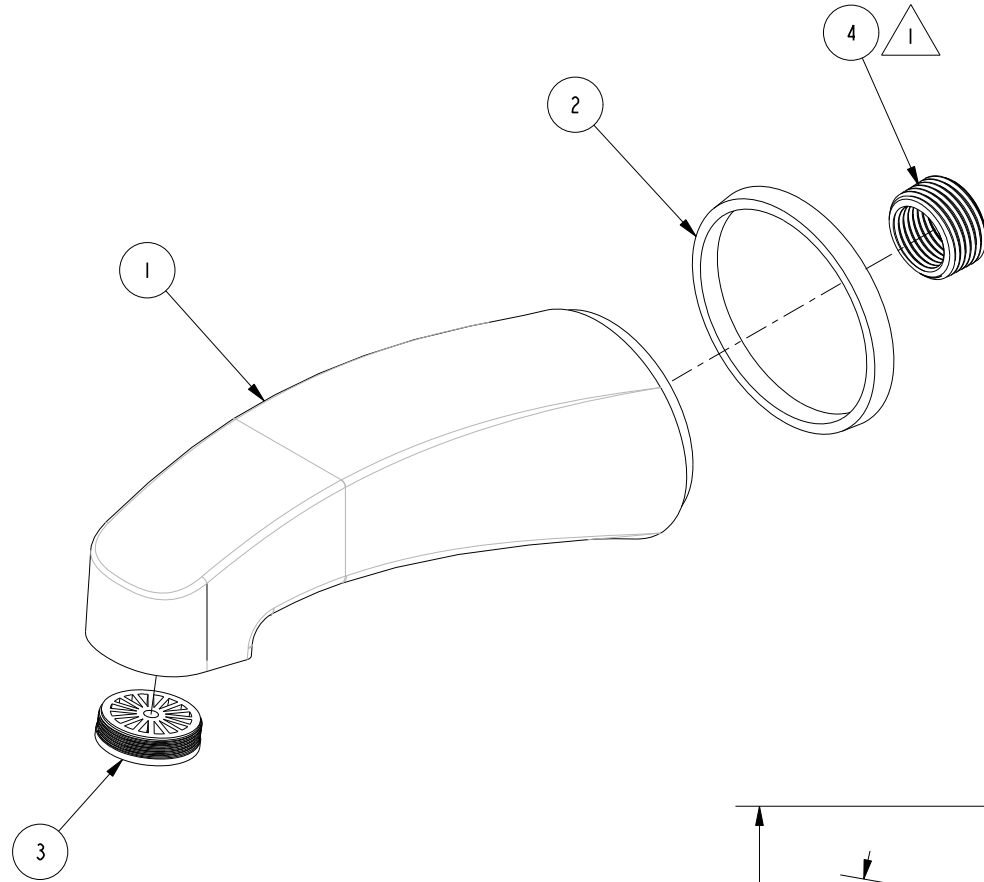
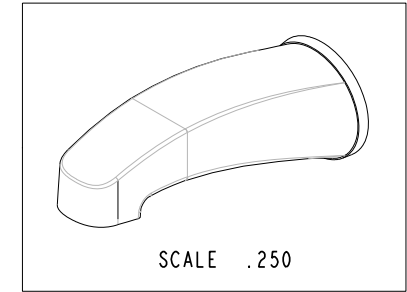


NOTES:

1. LOOSE PIECE (DO NOT ASSEMBLE TO SPOUT).
BAG IT IN A SEPARATE PLASTIC/FOAM BAG.

BILL OF MATERIAL (CURRENT LEVEL)

ITEM	PT/ASSY	DESCRIPTION	TYPE	QTY.
1	30032	WALL TUB SPOUT	PART	1
2	30031	BASE RING	PART	1
3	10224	STREAM STRAIGHTENER R/T WHITE	PART	1
4	50464	FACE BUSHING 3/4 X 1/2 NPT	PART	1



COPYRIGHT 2005 BRASSTECH, INC. THESE DRAWINGS AND THE DESIGNS DEPICTED HEREIN ARE THE PROPRIETARY PROPERTY OF BRASSTECH. ANY USE OR REPRODUCTION IS SUBJECT TO THE EXPRESS APPROVAL OF BRASSTECH. UNAUTHORIZED USE IS STRICTLY PROHIBITED. ALL RIGHTS RESERVED.

BRASSTECH
INCORPORATED
2001 E. CARNEGIE AVE.
SANTA ANA, CA 92705
(949) 417-5207

TUB SPOUT

ASSY. NO. 2-564

SCALE .500

REF. -

SHEET | OF |

B	EN-2709	02/26/14
A	EQ-0787A	01/08/08
-	EQ-0787	11/14/06
REV	REV DESC	DATE