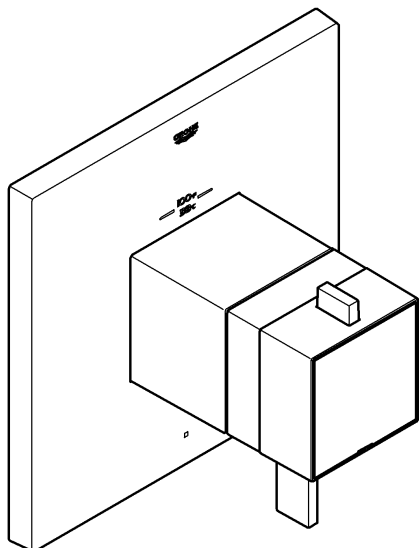
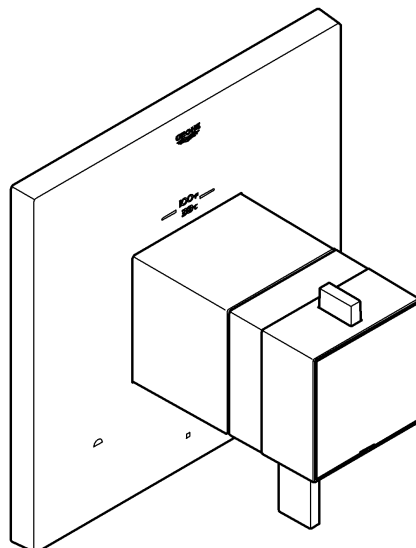




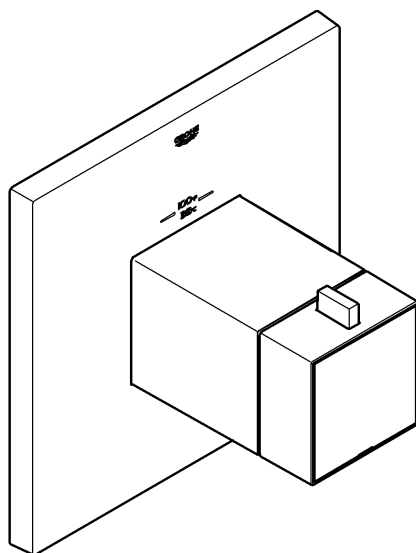
19 926



19 927

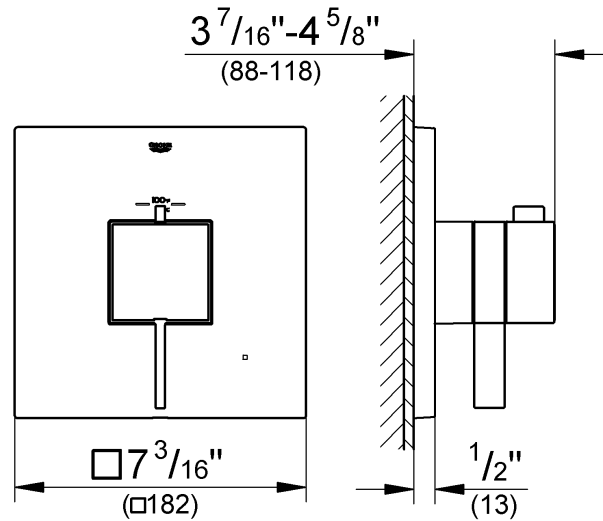


19 928

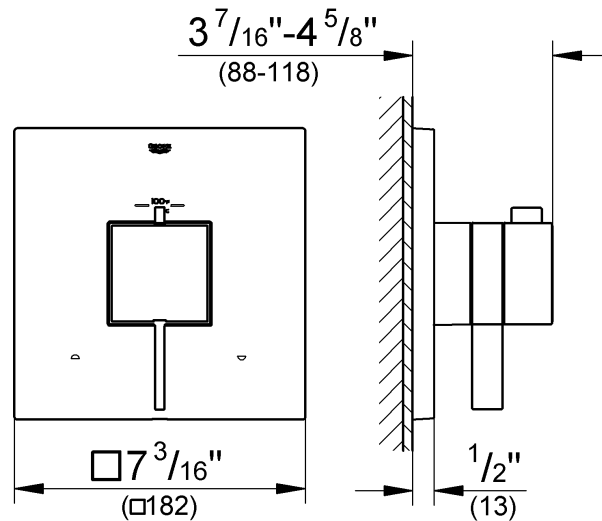


English	.....1
Français	.....8
Español	...15

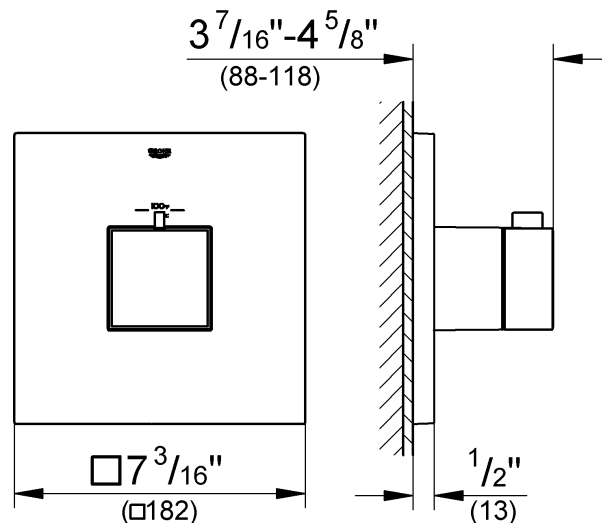
**Type #1**  
**19 926**



**Type #2**  
**19 927**

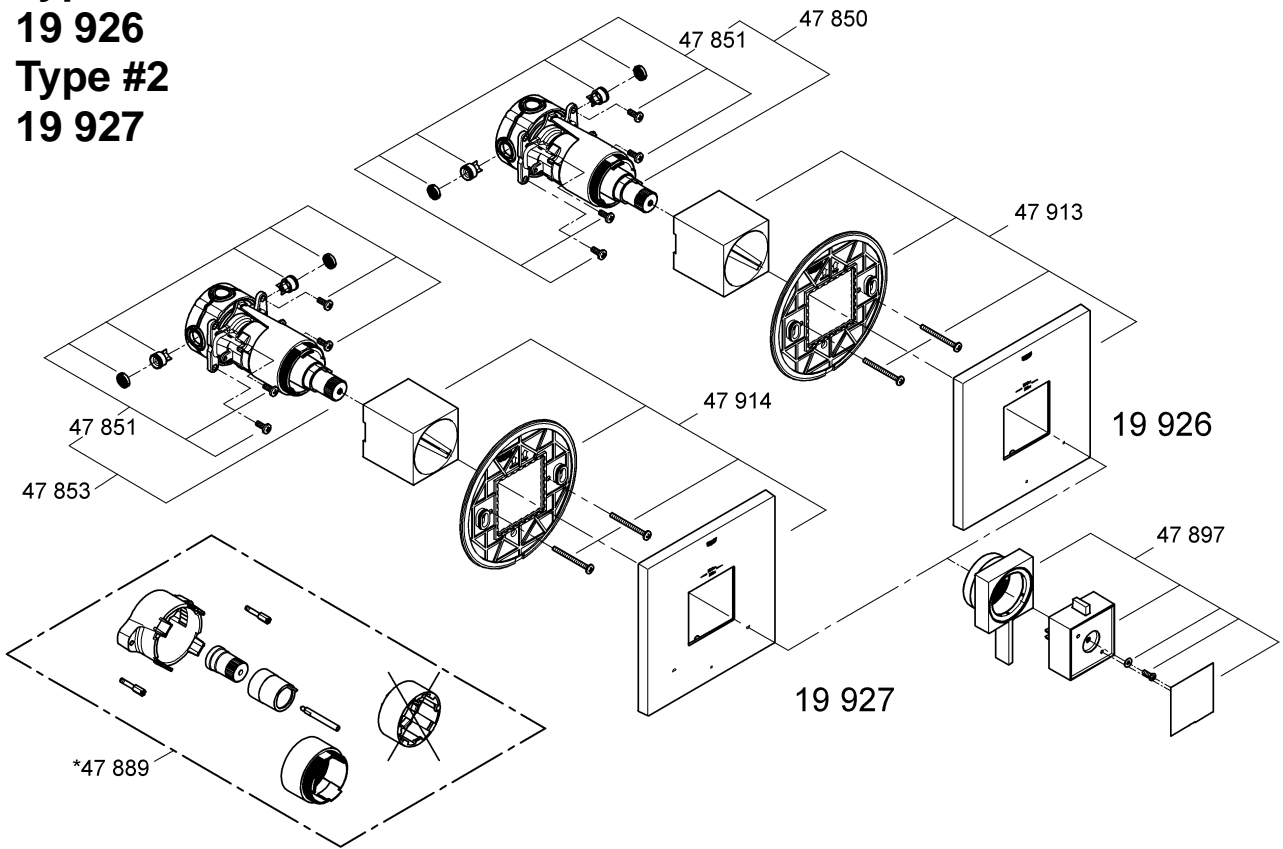


**Type #3**  
**19 928**

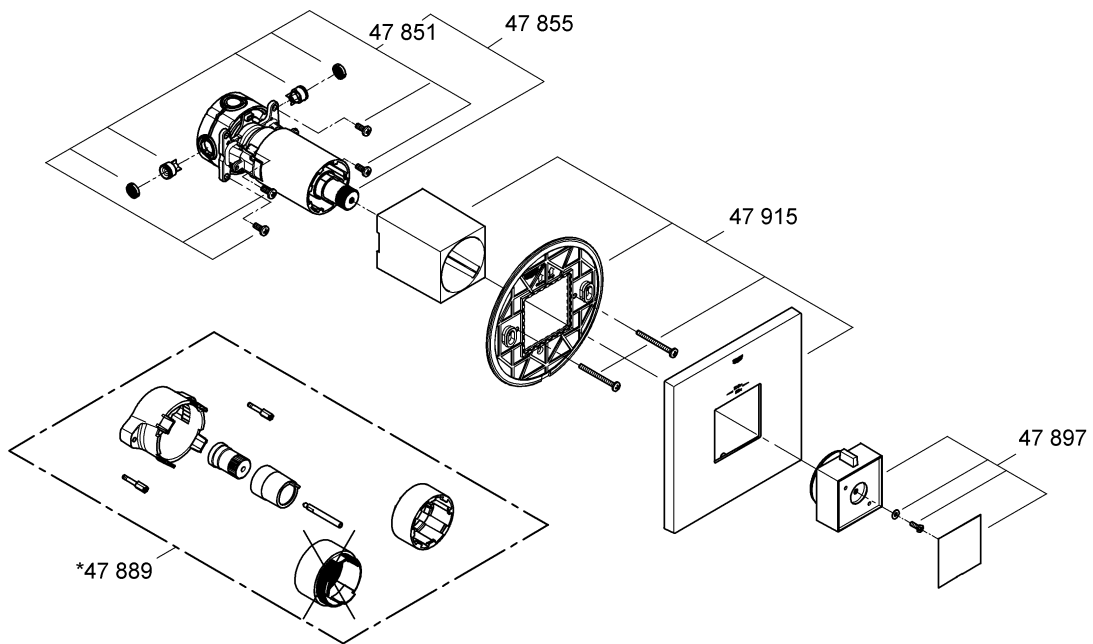


Please pass these instructions on to the end user of the fitting!  
S.v.p remettre cette instruction à l'utilisateur de la robinetterie!  
Entregue estas instrucciones al usuario final de la grifería!

**Type #1**  
**19 926**  
**Type #2**  
**19 927**



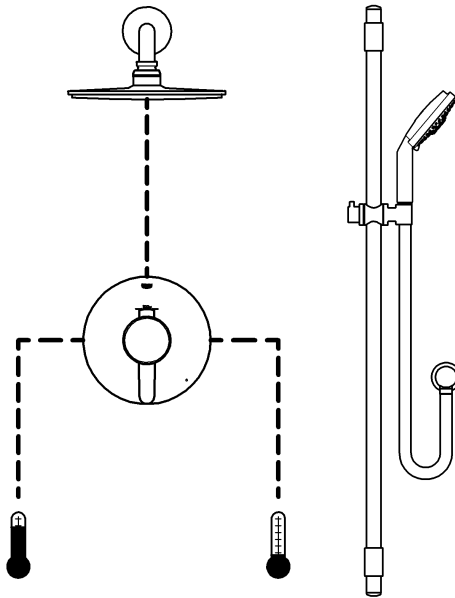
**Type #3**  
**19 928**



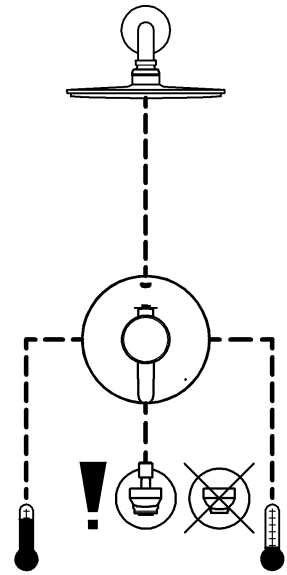
## Installation options with different types of trims

### Thermostat trim type #1 (single use)

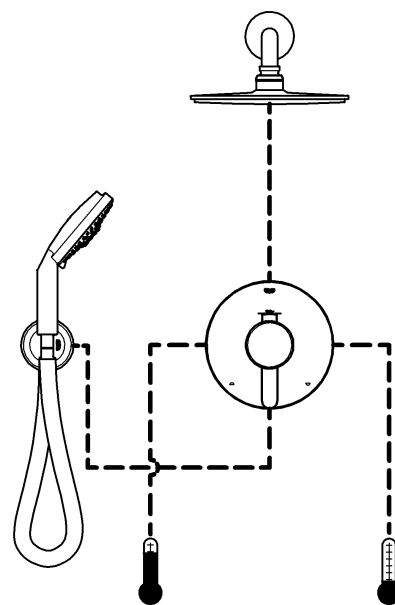
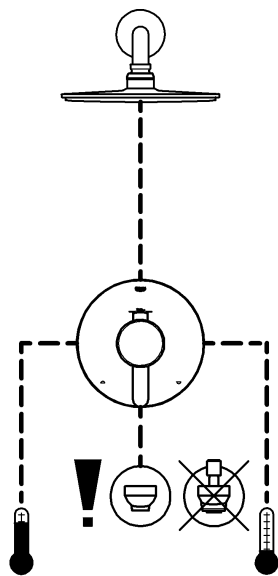
without bypass use



with use of **integrated bypass**



### Thermostat trim type #2 (integrated two way diverter)

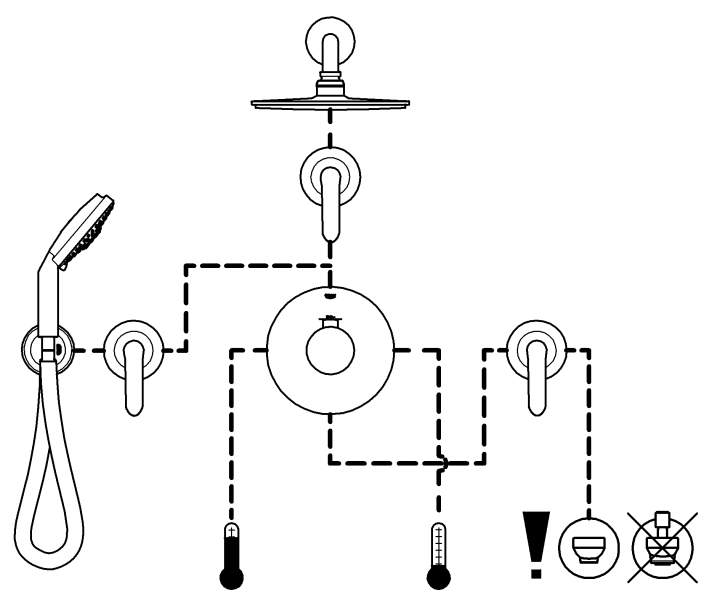
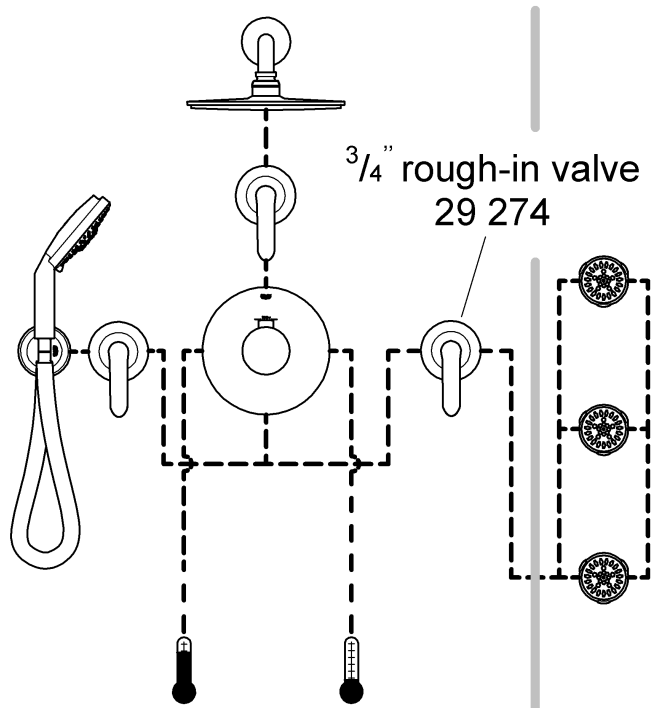


Please pass these instructions on to the end user of the fitting!

# Installation options with different types of trims

## Thermostat trim type #3 (high flow)

separate volume controls required



# English

## General Application

These trims are for use with the GrohFlex™ universal rough-in valve.

Planning of piping is done at the time of the rough installation. 3 different types of thermostat mixers are possible.

Observe the possible combinations, see Pages 1 and 2.

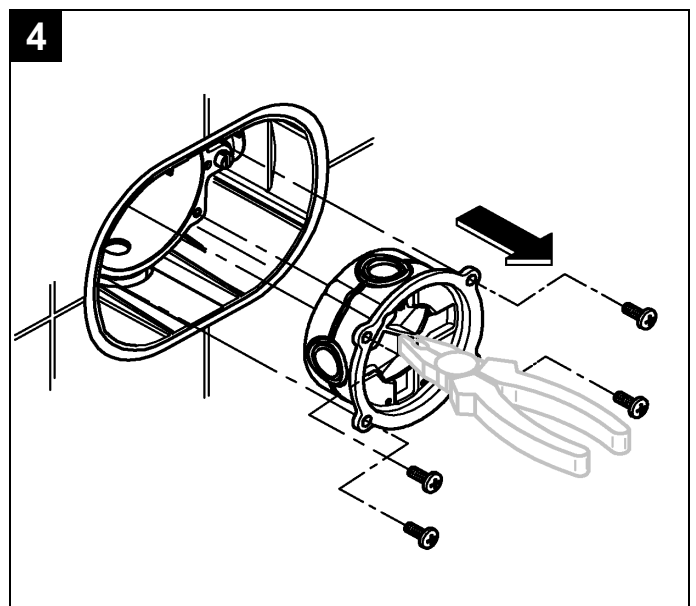
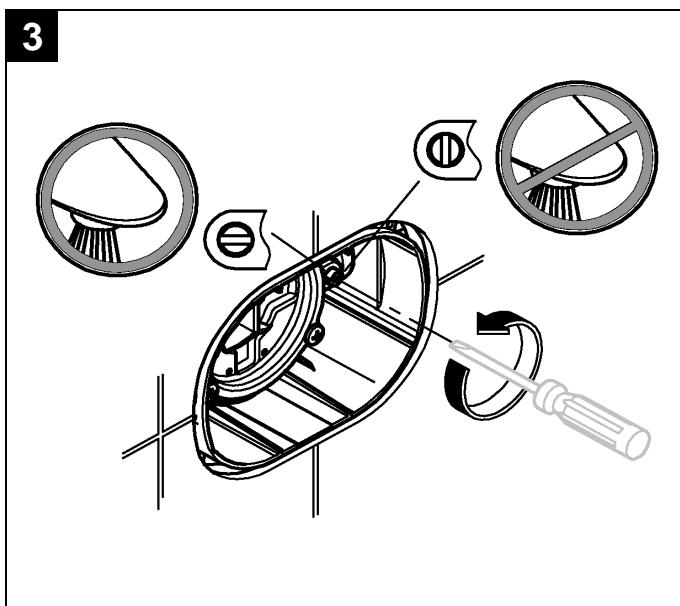
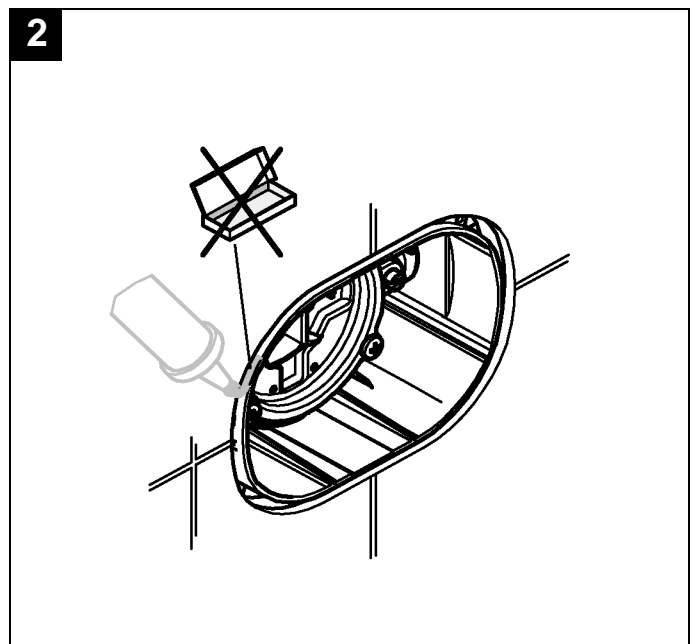
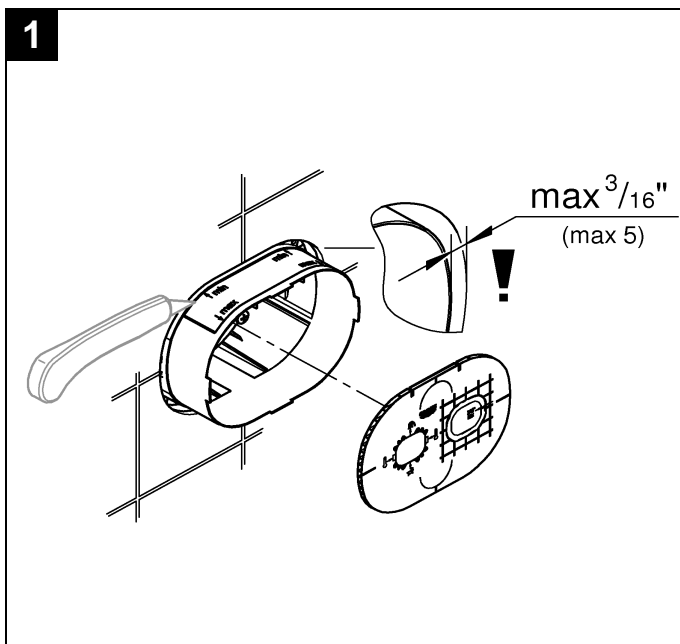
## Specification

- Integral service stops
- Flow pressure:
  - min 1 bar or 14.5 psi
  - recommended 1-5 bar or 14.5 – 72.5 psi
- greater than 5 bar or 72.5 psi, fit pressure reducing valve
- Max. operating pressure 8.5 bar or 125 psi
- Max. test pressure 34.5 bar or 500 psi

- Flow rates at 3 bar or 45 psi
  - Type #1 (19 926) and Type #2 (19 927)
    - bottom outlet 24 l/min or 6,3 gpm
    - top outlet 12 l/min or 3,2 gpm
  - Type #3 (19 928) 51 l/min or 14 gpm
- Temperature
  - max. (hot water inlet) 80 °C or 180 °F
- Water connection:
  - cold - RH
  - hot - LH

## General preparation

1. Cut of the excess blue box material, see Fig. [1].
2. Seal the rough-in valve, see Fig. [2].
3. Close the integrated service stops, see Fig. [3].
4. Remove flush cap, see Fig. [4].



# English

## Installation Type #1 and Type #2

### Attention for type #1

If **both** rough-in outlets are used, you have to install a spout **with diverter**. If only **the lower** rough-in outlet is used, you have to install a spout **without diverter**.

### Installation

1. Install control unit and secure with screws, see Fig. [5].
2. Close water flow by turning the yoke. The mark (A) must be on top, see Fig. [6].
3. Open the hot and cold integrated service stops, see Fig. [6].
4. While installation observe the right mounting position.
5. For installation of handle parts **after** adjustment, see Figs. [7] and [8].

If the thermostat has been installed at too great a depth, this can be adjusted by 27mm or 1 1/16" with an extension set (see Page II, ref. No. 47 889).

## Adjustment

**Temperature setting**, see Fig. [9].

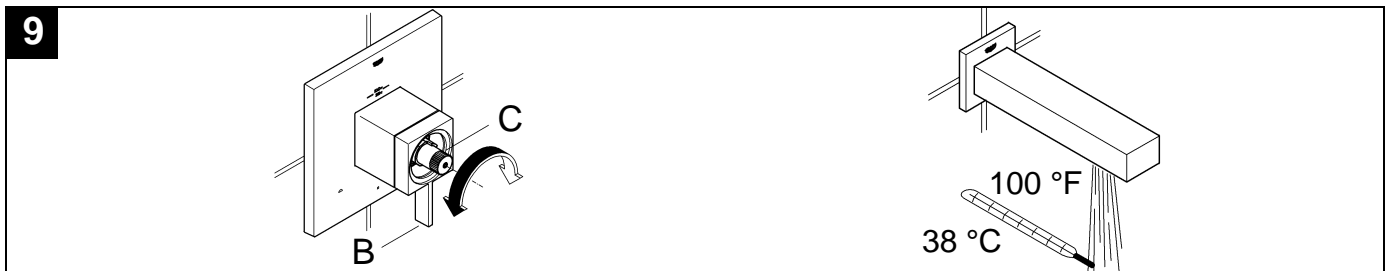
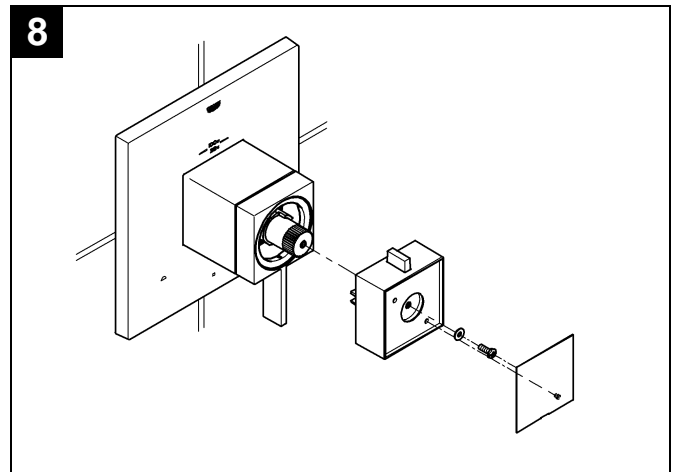
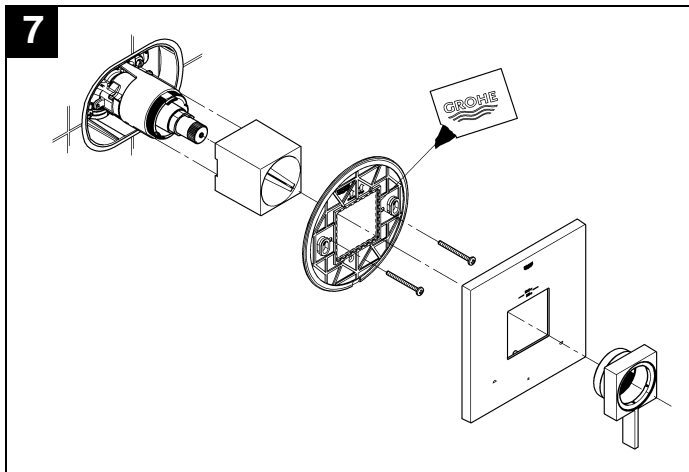
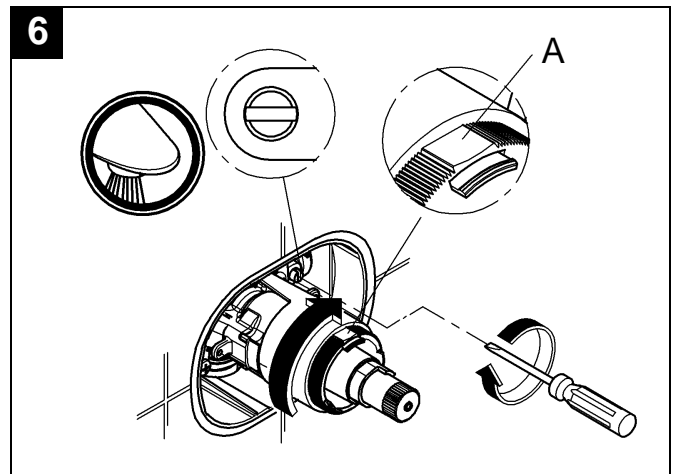
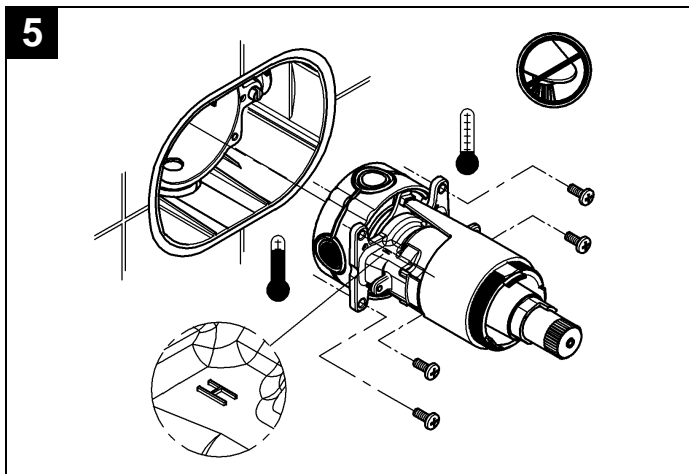
- Before the mixer is put into service, if the mixed water temperature measured at the point of discharge varies from the specified temperature set on the thermostat handle.
- After any maintenance operation on the thermostatic cartridge.

Valve is closed with lever (B) in vertical position:

Open volume control by turning the lever (B).

1. Measure the temperature of the water emerging with a thermometer.
2. Turn regulation nut (C) until the water emerging has reached a temperature of 38 °C or 100 °F.

**Reversed union** (hot on right - cold on left). Replace thermostatic cartridge, special cartridge for service is: Ref. No.: 47 175 (1/2") (see Page II).



## English

### Installation Type #3

1. Install control unit and secure with screws, see Fig. [5].
2. Open the hot and cold integrated service stops, see Fig. [6].
3. While installation observe the right mounting position.
4. For installation of handle parts after adjustment, see Fig. [7].

### Adjustment

**Temperature setting**, see Fig. [8].

- Before the mixer is put into service, if the mixed water temperature measured at the point of discharge varies from the specified temperature set on the thermostat handle.
- After any maintenance operation on the thermostatic cartridge.

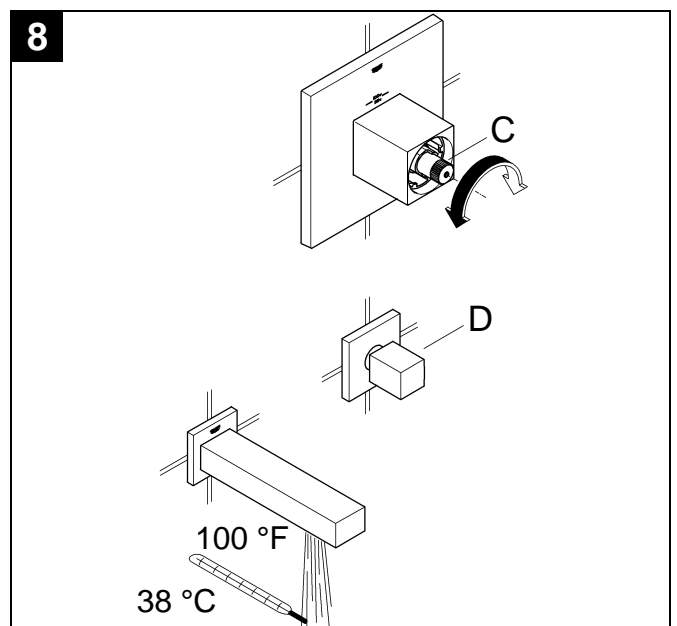
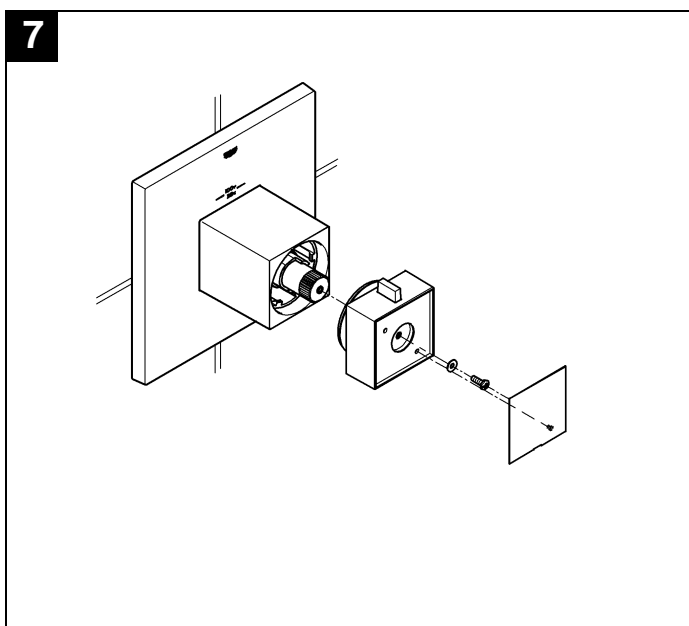
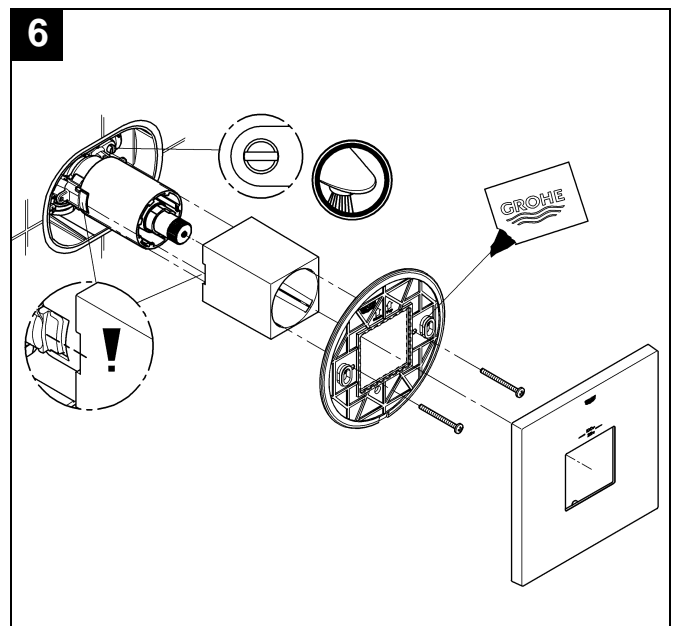
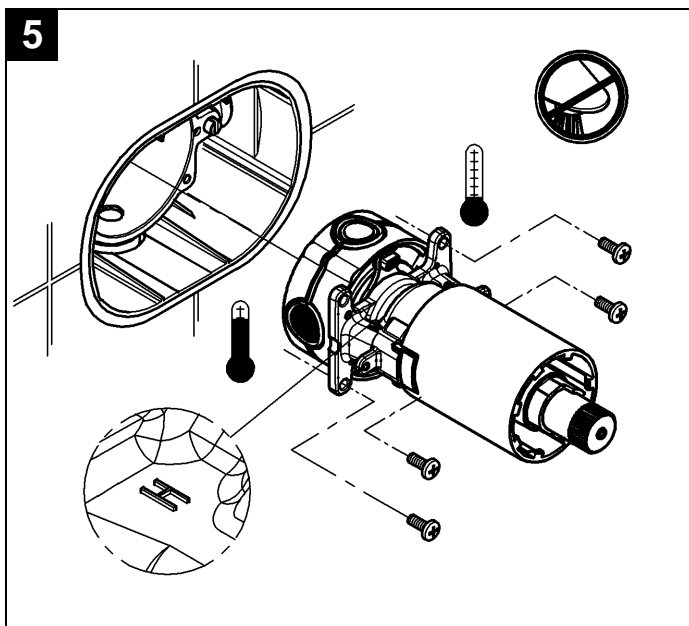
One or more separate volume controls (D) (not supplied) are required to control the water flow, see Fig. [8].

Open volume control by turning the lever (D), see Fig. [8].

1. Measure the temperature of the water emerging with a thermometer.
2. Turn regulation nut (C) until the water emerging has reached a temperature of 38 °C or 100 °F.

**Reversed union** (hot on right - cold on left). Replace thermostatic cartridge, special cartridge for service is:

Ref. No.: 47 186 (3/4") (see Page II).





# English

## Temperature limitation

When in proper calibration, the temperature range is limited to 43 °C or 110 °F. There is a first safety stop at 38 °C or 100 °F. If a higher temperature is desired, one can exceed 38 °C or 100 °F by overriding the safety stop. Press the safety stop button (E).

## Operation

**Type #1**, see Fig. [10a].

Turn lever (F) left or right:

- Select hot or cold water flow.

Turn lever (B) to the right:

- Open water outlet as pipeline installation is prepared.
- If a spout with diverter is installed, outlet to bath and shower is possible.

**Type #2**, see Fig. [10b].

Turn lever (F) left or right:

- Select hot or cold water flow.

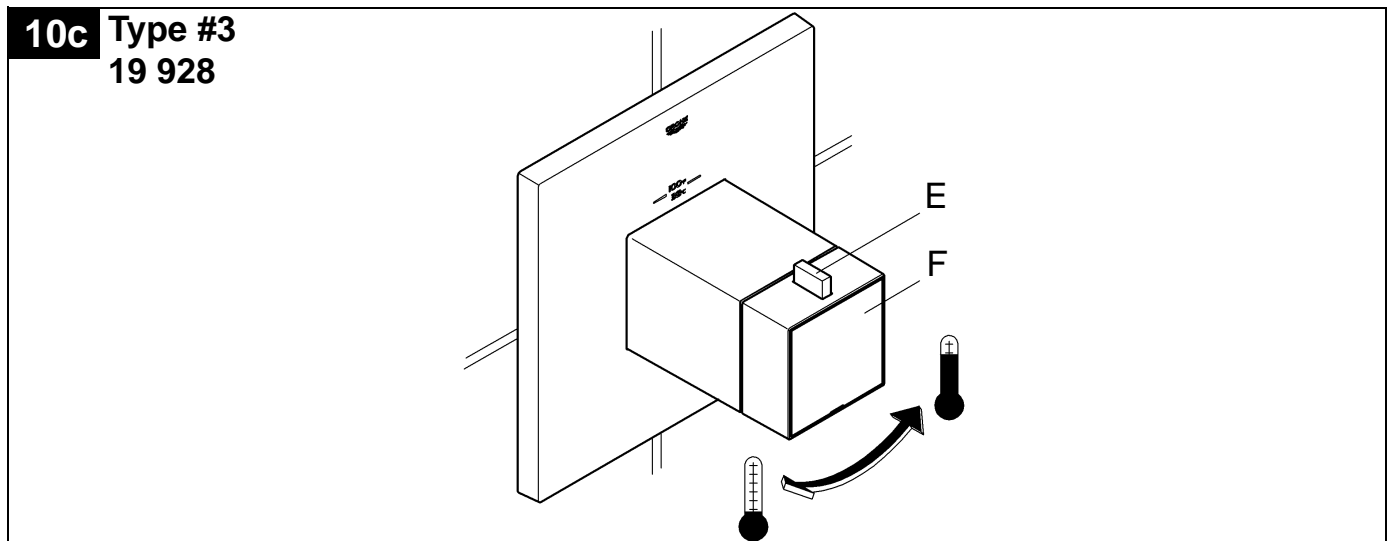
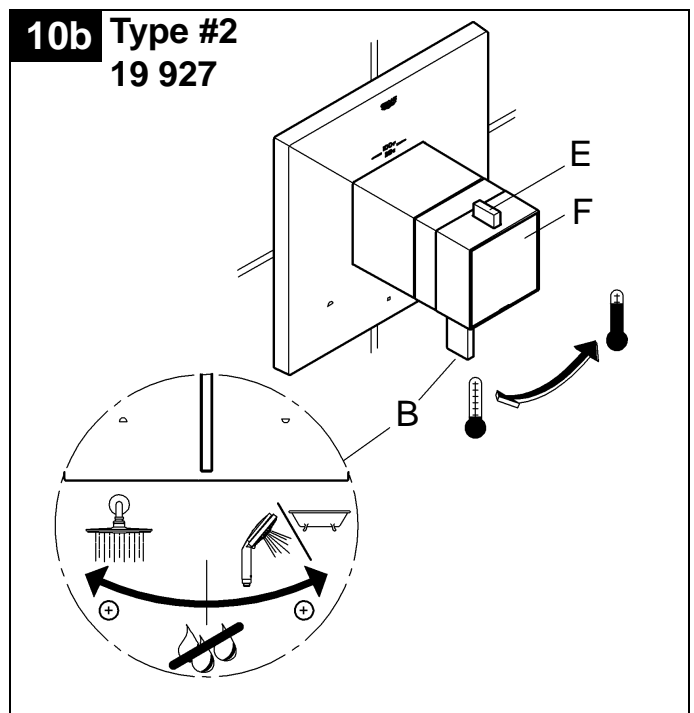
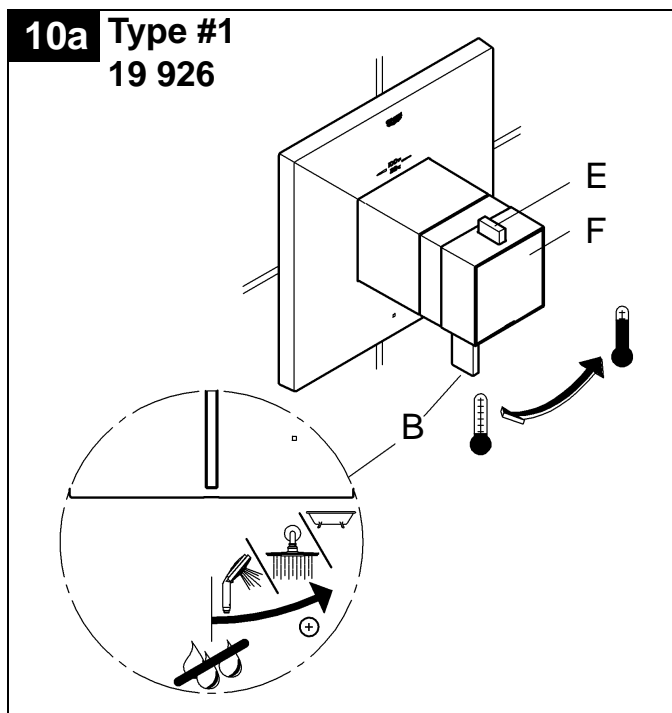
Turn lever (B) left or right:

- Open water outlet as pipeline installation is prepared.
- left open to top outlet
- right open to bottom outlet

**Type #3**, see Fig. [10c].

Turn lever (F) left or right:

- Select hot or cold water flow



## English

### Prevention of frost damage

When the domestic water system is drained, the thermostat mixers must be drained separately, since non-return valves are installed in the hot and cold water connections.

The complete thermostat assembly and non-return valves must be disassembled and removed.

### Maintenance

**Important note: If the control unit is to be removed from the rough-in for servicing, first close the inlet stops then open the flow control to allow any internal pressure to be released from within the unit.**

Inspect and clean all parts, replace if necessary and grease with special valve grease.

### Close the integrated service stops!

**I. Non return valves, see Figs. [11] and [12].**

Install in reverse order.

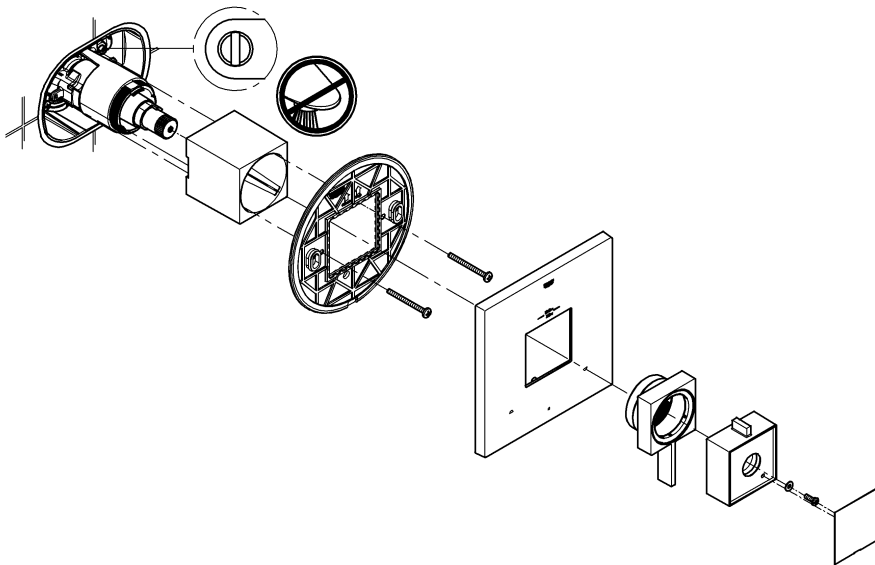
### Open the integrated service stops!

**Replacement parts, see page II (\* = special accessories).**

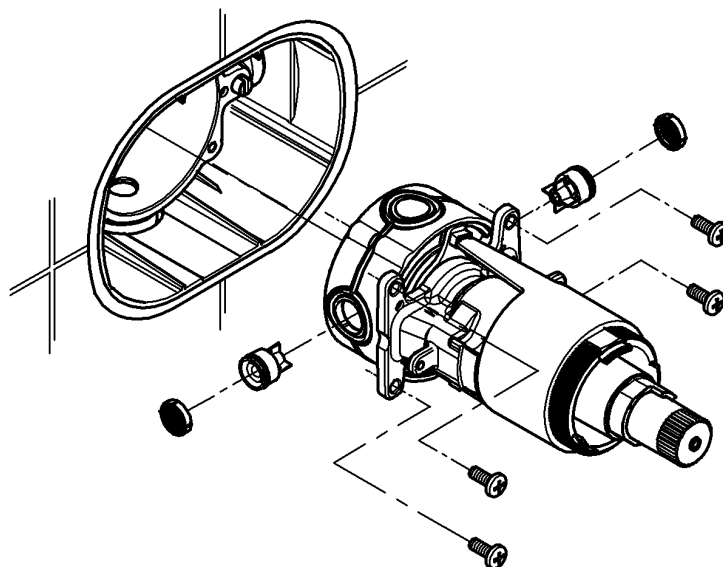
### Care

Instructions for care of this faucet will be found in the Limited Warranty supplement.

11



12

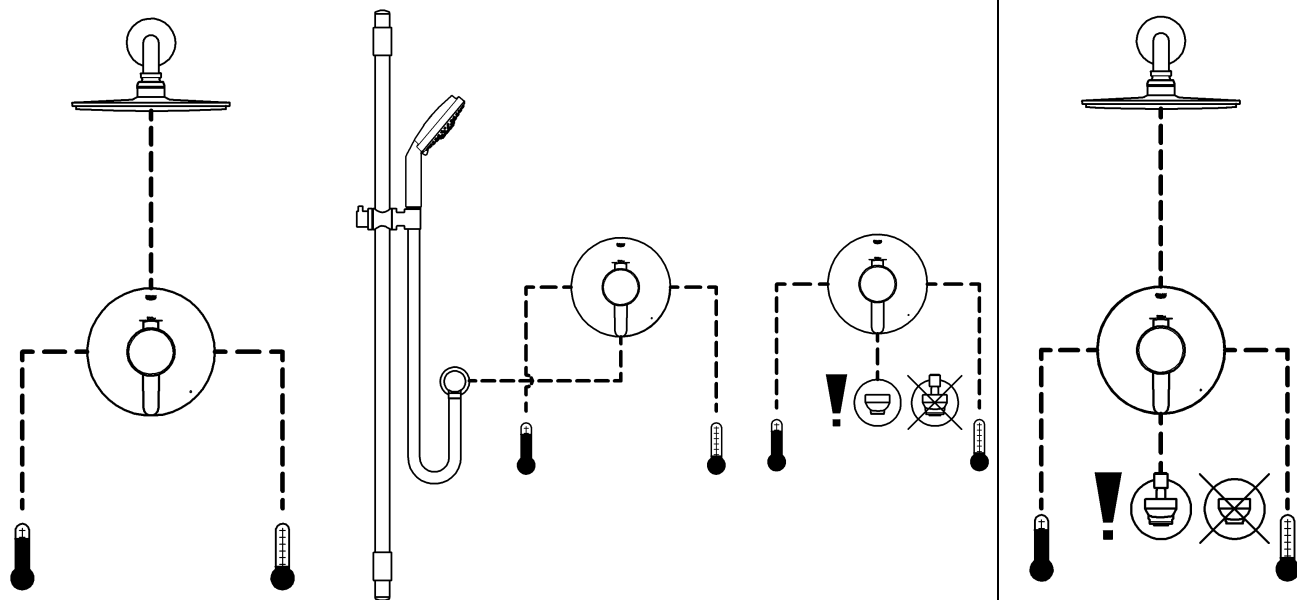


## Options d'installation avec divers types d'organes

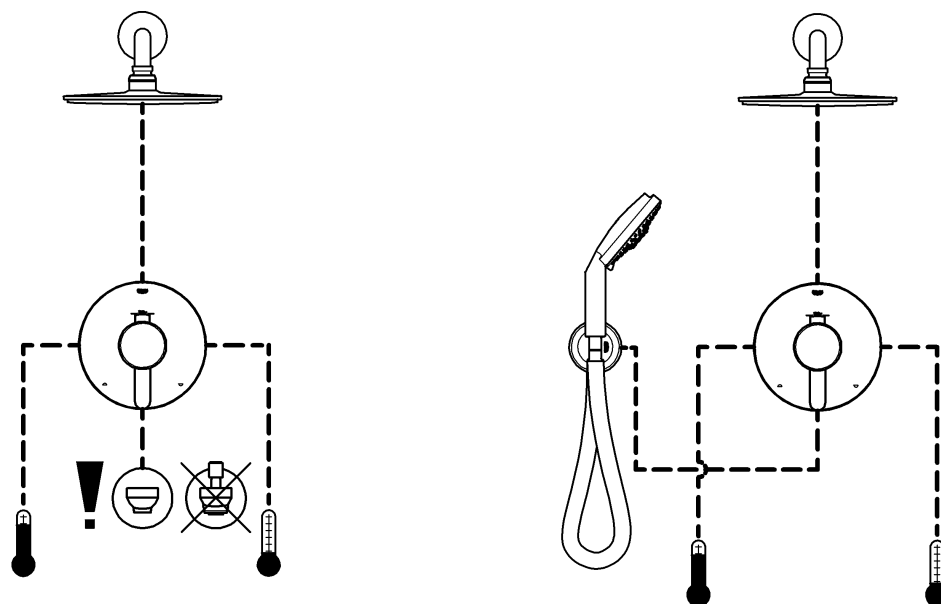
### Organe de thermostat de type #1 (usage unique)

utilisation sans dérivation

avec utilisation d'une dérivation intégrée



### Organe de thermostat de type #2 (inverseur à deux voies)



S.V.P. remettre ces instructions à l'utilisateur final de la robinetterie!

# Options d'installation avec divers types d'organes

## Organe de thermostat de type #3 (débit élevé)

régulateurs de volume  
séparés requis

