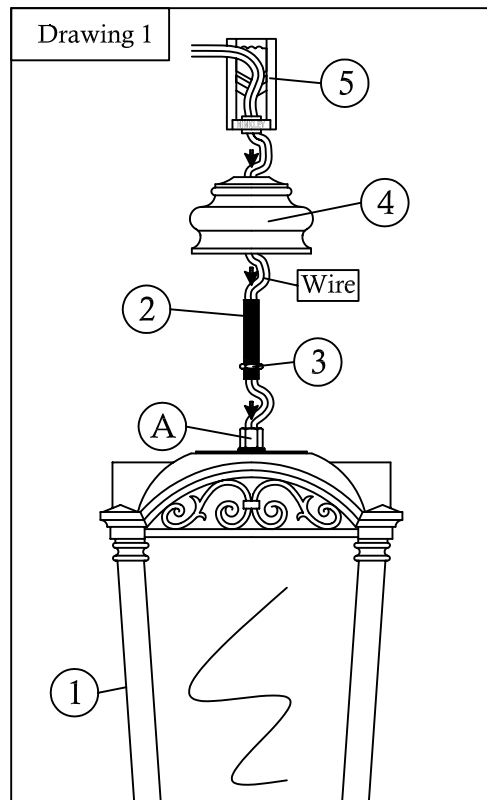


Assembly Instructions for 1962 RB



Use Drawing 1 for reference.

1. Slip wire through center of nipple (2), and thread it into coupler (A), approximately $\frac{1}{4}$ ". Thread hex nut (3) down onto the top of coupler (A). This will lock nipple (2) in position.
2. Slip cage top (4), along wire and onto nipple (2). Slide loop (5) along wire and thread it onto the end of nipple (2) and tighten.

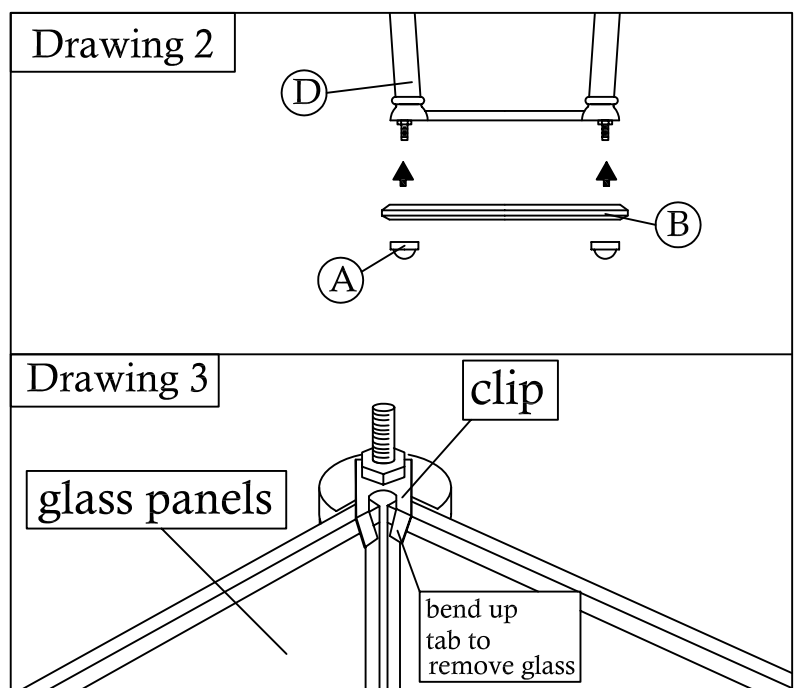
Fixture is ready for mounting please follow all mounting instructions provided on the back of this sheet. To lamp fixture please follow Lamp and Glass replacement procedures on this sheet.

Lamping and Glass replacement procedure:

Use drawing 2 for reference.

1. Unscrew knobs (A) on base of cage. Now remove plate (B) from bottom of cage.
2. In each corner there is a 2 prong glass clip (see drawing 3 below).
3. To remove glass, bend the corresponding clip up so glass panel can be lifted out.

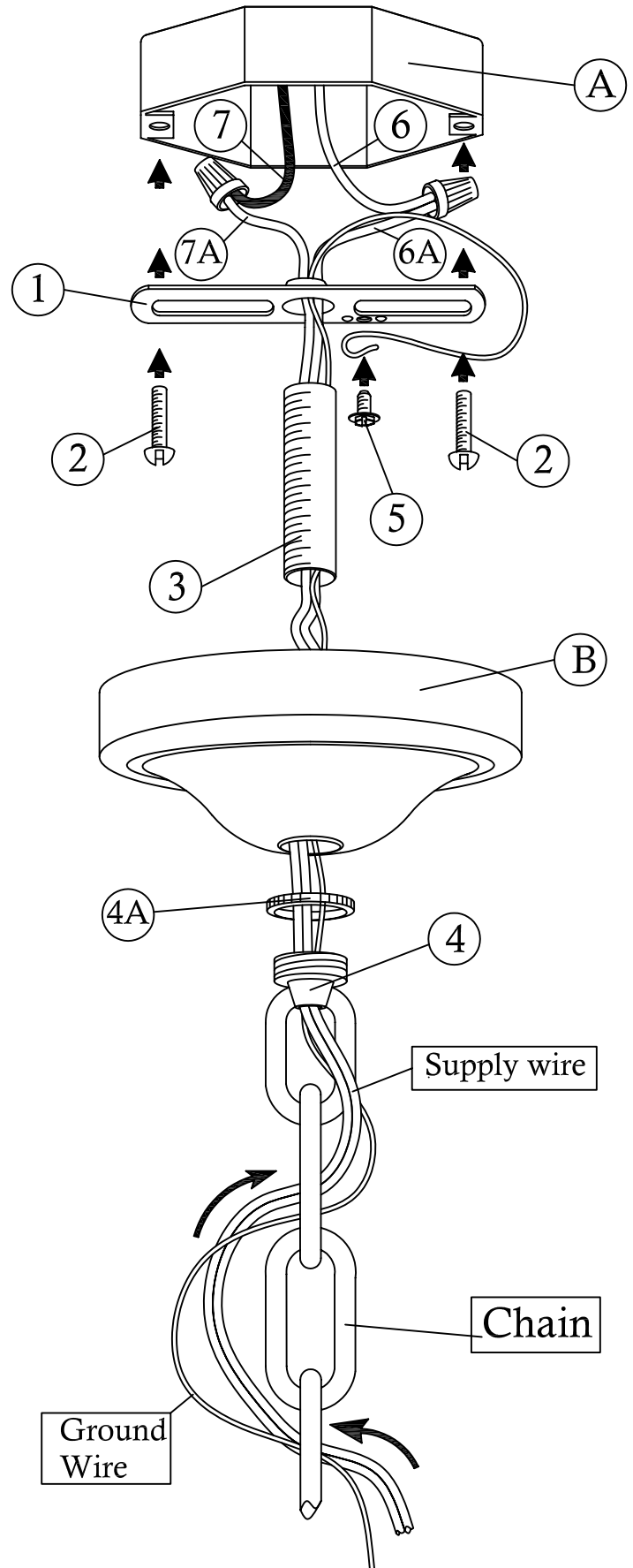
To replace glass and re-assembly fixture, follow steps 1 thru 4 in reverse order.



Mounting Instructions for 1962 RB

Mounting instructions

1. Shut current off before starting. If the fixture you are replacing is turned on and off by a wall switch, simply turn the switch off. If not, remove the appropriate fuse (or open the circuit breakers) until the fixture is dead. Do not restore current - either by fuse, breaker or switch - until the new fixture is completely wired and in place.
2. Fasten mounting strap (1) to outlet box (A) with the original outlet box screws (2).
3. Thread nipple (3) in to the mounting strap (1), as illustrated.
4. Thread loop (4) on to end of nipple (3).
5. Slip canopy (B) over loop (4) and adjust height of loop so half of thread area is exposed. (see Drawing 4 below)
6. Taking the chain, determine the length you require, and attach one end of the chain to the fixture. Now slip loop collar (4A) and canopy (B) onto chain.
7. Now attach other end of chain to loop (4). Please get assistance during this step. Since fixture may be heavy and difficult to hold while attaching chain.
8. Unwrap supply wire and ground wire and weave them up through the chain. Then slip supply wire and ground wire through center of loop (4).
9. Connect ground wire to mounting strap (1) using green ground screw (5).
10. Now connect outlet box wires to fixture leads. Important: connect white outlet box wire (6) to ribbed or white fixture lead (6A). Then connect black or red outlet box wire (7) to smooth or black fixture lead (7A).
11. Slip canopy up firmly against the ceiling, and secure by turning the threaded collar (4A) on loop (4) until tight.



Drawing 4

half of thread area of loop (4) is to be exposed. This will allow collar (4A) to be threaded on later.

