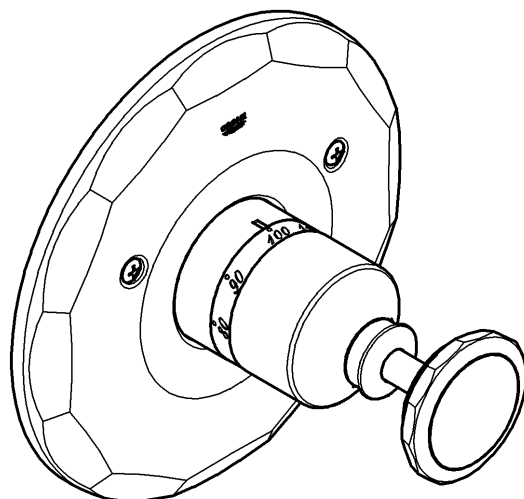
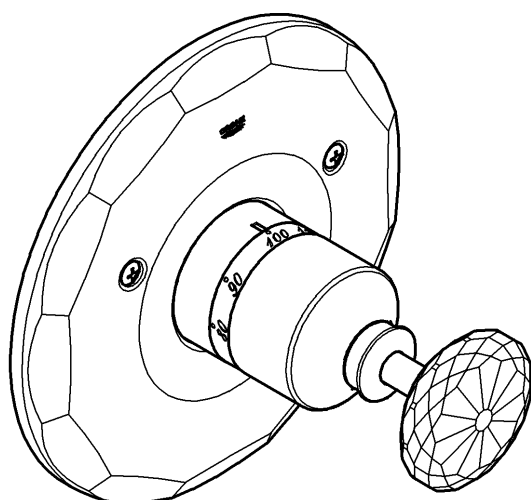


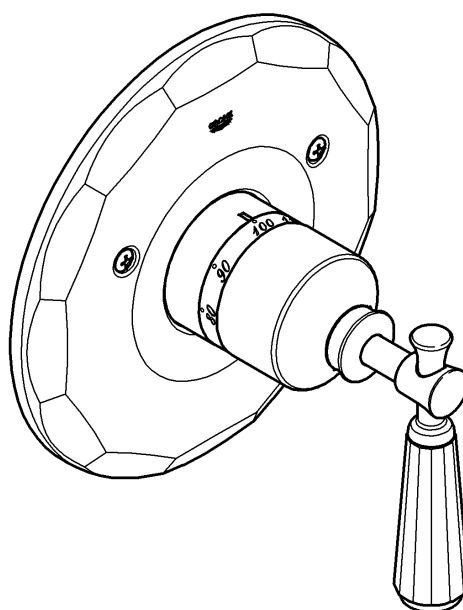
19 265



19 265 VP0



19 266



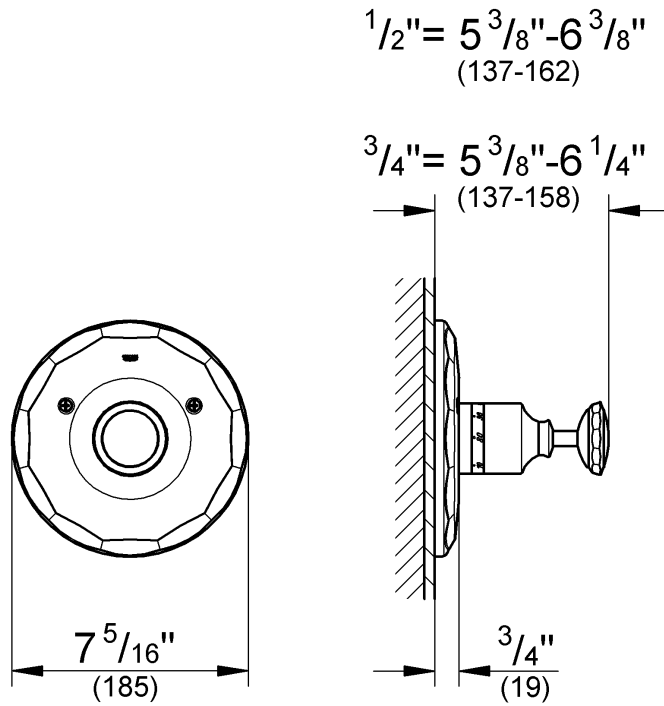
## Kensington

English .....4

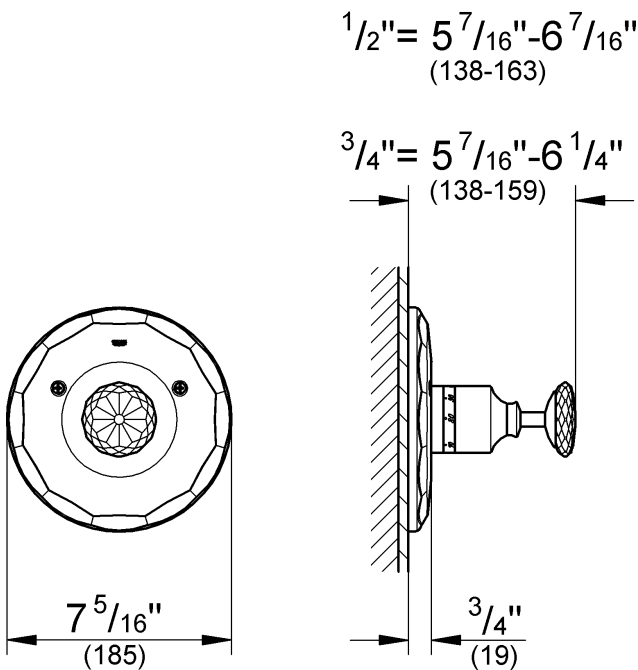
Français .....6

Español .....8

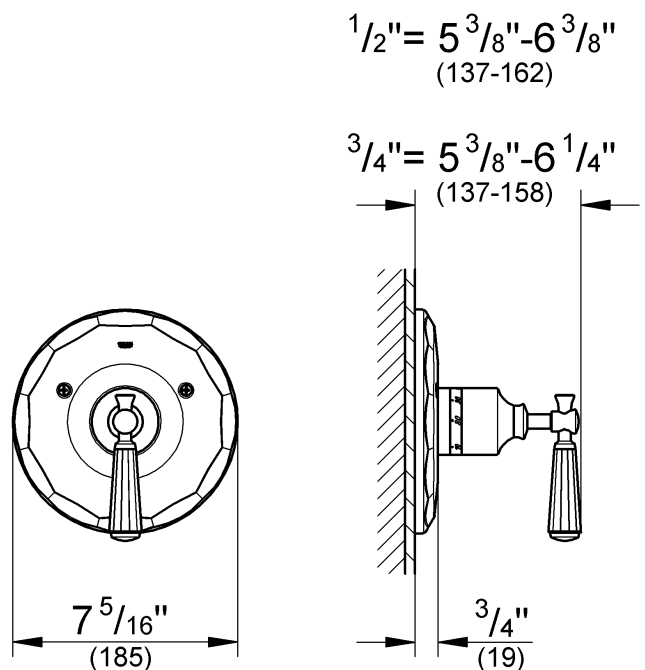
**19 265**



**19 265 VP0**

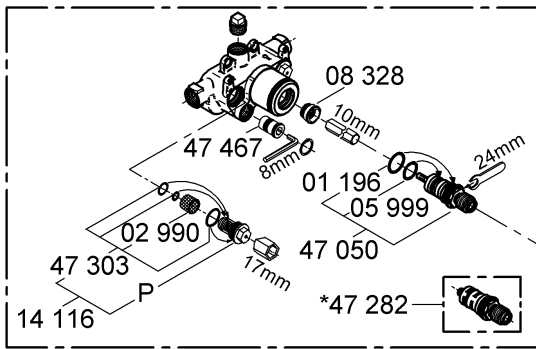


**19 266**

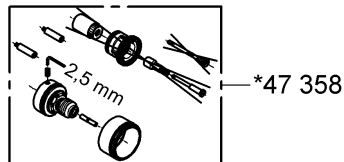
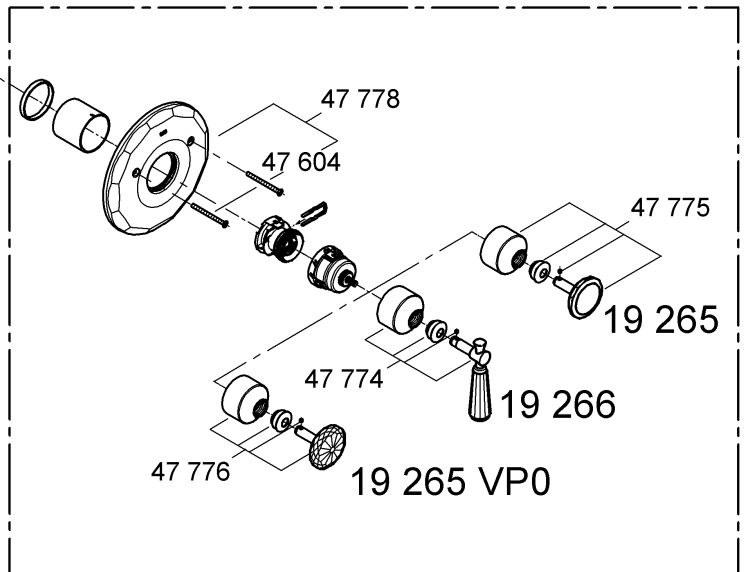
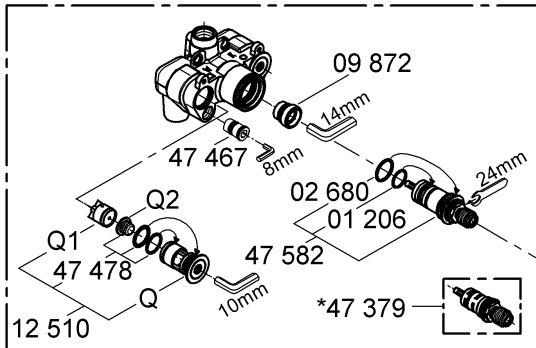


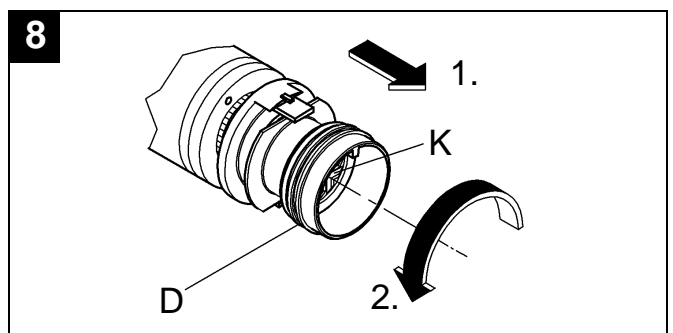
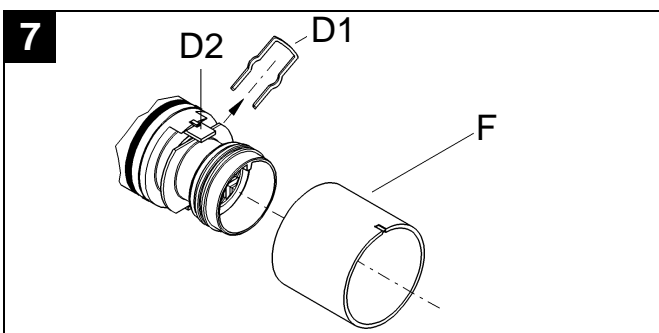
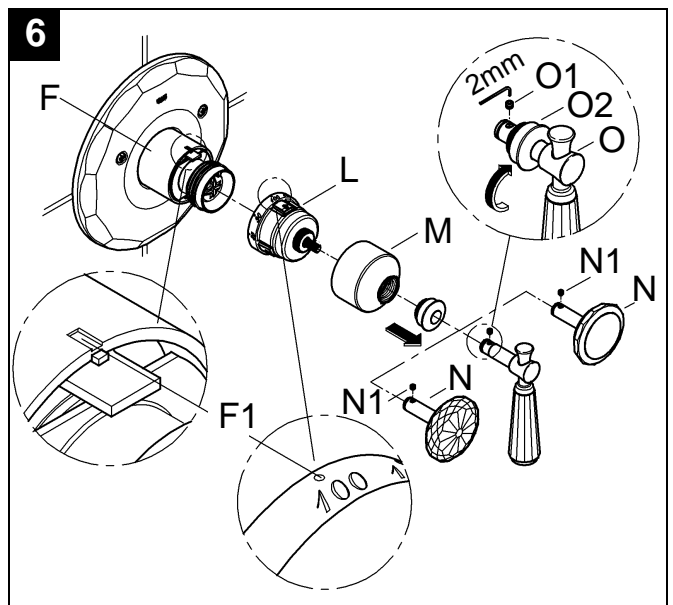
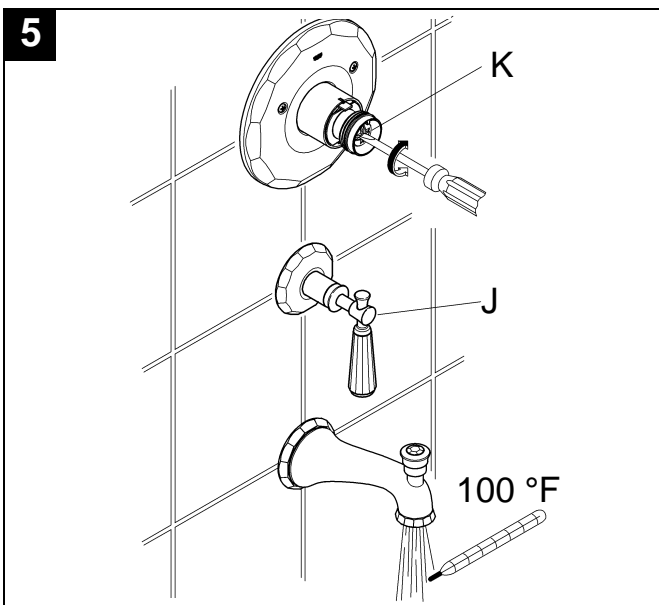
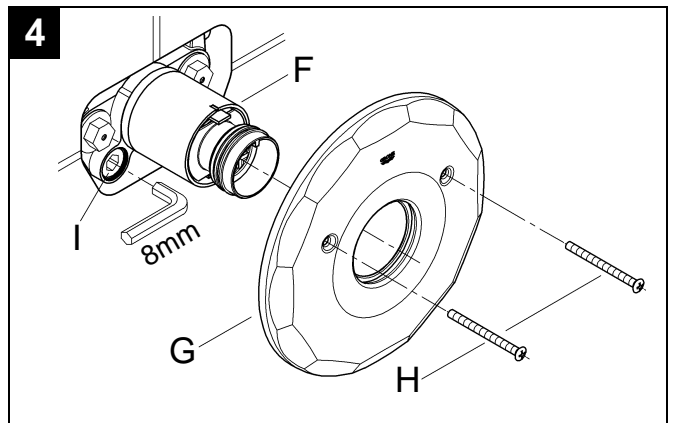
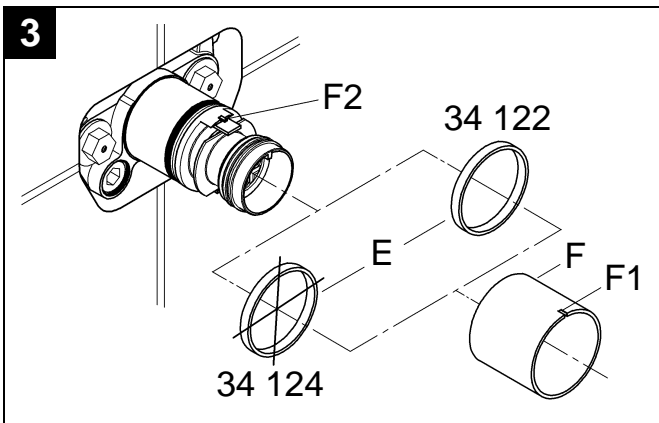
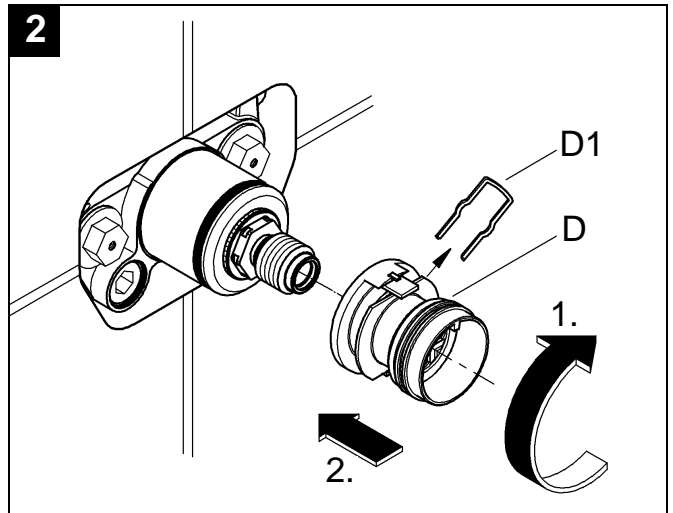
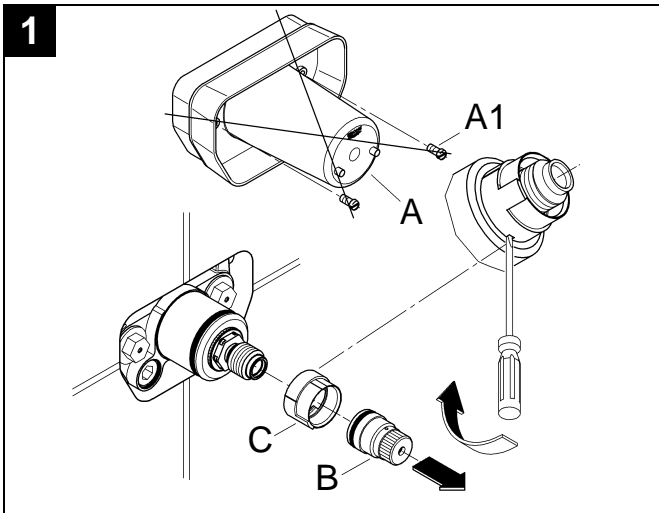
Please pass these instructions on to the end user of the fitting!  
S.v.p remettre cette instruction à l'utilisateur de la robinetterie!  
Entregue estas instrucciones al usuario final de la grifería!

34 122



34 124





# English

## Installation

- Remove the two screws (A1) from the fitting template (A), then remove the template, see fig. [1].
- Unscrew adjusting nut (B) and detach stop ring (C), discard both parts.
- Install stop ring (D), see fig. [2].
- Fit clamp (D1).

**Mounting escutcheon**, see figs. [3] and [4].

1. Install the compensation ring (E) if using rough-in valve 34 122, the ring is not needed for rough-in valve 34 124, see fig. [3].
2. Push sleeve (F) with the mark (F1) upward onto the mixer shank, make sure that the marking point (F2) snaps into the sleeve (F).
3. Slide the escutcheon (G) over the sleeve (F), see fig. [4].
4. Tighten escutcheon with screws (H).  
Do not use excessive force to tighten the screws.
5. For assembly of the lever (O) or handle (N), see chapter "Adjustment".

**If thermostat is installed too deep**, the fitting depth can be increased by 1 1/8" (27.5mm) with extension set Part No. 47 358, see page 2.

## Adjustment

**Temperature setting**, see figs. [5] and [6].

- Before the mixer is put into service, if the mixed water temperature measured at the point of discharge varies from the specified temperature set on the thermostat handle.
  - After any maintenance operation on the thermoelement.
1. Open volume control (J) and measure the temperature of the water emerging with a thermometer, see fig. [5].
  2. Install the green regulator nut (K) and adjust with a screwdriver until the water emerging has reached a temperature of 100 °F.
  3. Fit the scale handle (L) so that the 100 °F mark on the scale ring lines up with the mark (F1) on the sleeve (F), see fig. [6].
  4. Screw on sleeve (L).
  5. Screw in set screw (O1, N1) into lever (O) or handle (N).  
Slide the cap (O2) on the lever or handle.
  6. Attach lever or handle with cap (O2) and secure with set screw (O1, N1).
  7. Tighten the cap (O2) onto the sleeve by hand.

**Reversed union** (hot on right - cold on left).

Replace thermoelement (47 050) or (47 582), see replacement parts page 2, ref. No.: 47 282 (1/2") and 47 379 (3/4").

## Temperature limitation

When in proper calibration, the temperature range is limited to 110 °F. There is a safety check at 100 °F.

If a higher temperature is desired, one can exceed 100 °F by overriding the safety check.

## Prevention of frost damage

When the domestic water system is drained, the thermostat mixers must be drained separately, since non-return valves are installed in the hot and cold water connections.

The complete thermostat assembly and non-return valves must be unscrewed and removed.

## Maintenance

Inspect and clean all parts, replace if necessary and grease with special valve grease.

**I. Thermoelement**, see fig. [6] to [8] and page 2.

1. Turn scale handle (L) to the 100 °F safety check, see fig. [6].
2. Unscrew cap (O2).
3. Remove set screw (O1, N1) and detach lever (O) or handle (N).
4. Unscrew handle sleeve (M) and pull off scale handle (L).
5. Remove screws (H) and escutcheon (G), see fig. [4].
6. Close both isolation valves (I).
7. Pull sleeve (F) from the mixer shank by pressing down the tongue (D2), see fig. [7].
8. Extract clamp (D1).
9. Pull stop ring (D) until resistance is encountered (approximately 3/8" [10mm]), see fig. [8].
10. Unscrew stop ring (D) complete with regulator nut (K).
11. Unscrew thermoelement (47 050, 47 582) with 24mm open-ended wrench, see page 2.

Readjustment is necessary after every maintenance operation on the thermoelement, see **Adjustment**.

**II. Non-return valve**, see fig. [6] to [8] and page 2.

1. Proceed as for maintenance of thermoelement, points 1 - 6.
2. Unscrew non-return valve (P) or (Q) with 17mm socket wrench or 10mm allen wrench, see page 2.
3. Remove non-return valve (Q1) and filter (Q2).

Reassembly should be carried out in reverse order.

**Observe the correct mounting position!**

**Replacement parts**, see page 2 (\* = special accessories).

## Care

Instructions for care of this faucet will be found in the Limited Warranty supplement