



Buy it for looks. Buy it for life.®

Specifications

DESCRIPTION

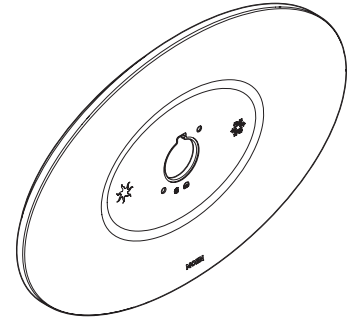
- Brass construction various finishes identified by suffix
- Designed to allow replacement of a 2 or 3 handle tub/shower valve
- Installation requires a minimum clearance of 6" between horizontal C (critical level) and spout outlet C
- Fits all 1 handle tub/showers with 7" escutcheon

STANDARDS

- Designed and manufactured to comply with the requirements of: ASME A112.18.1/ CSA B125.1 and all requirements referenced therein

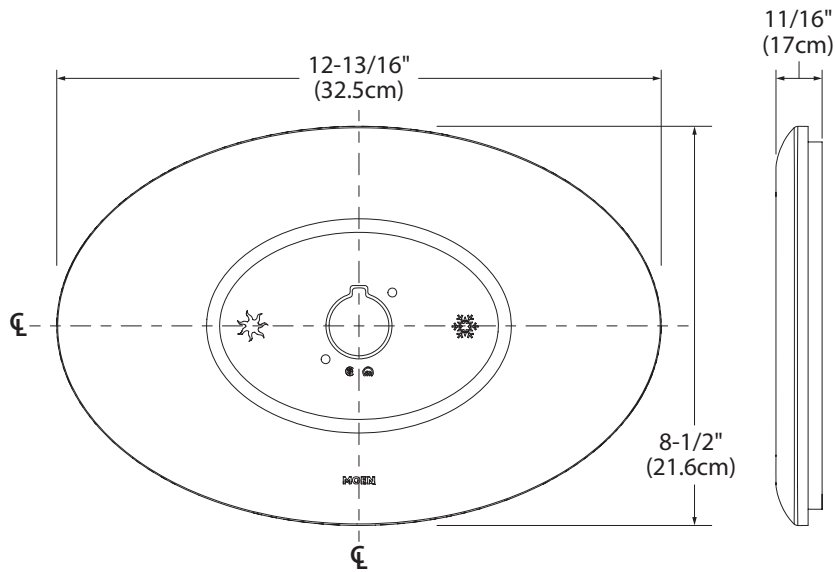
WARRANTY

- Warranted for one year against material or manufacturing defects

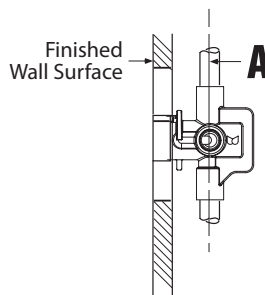


Shower Escutcheon

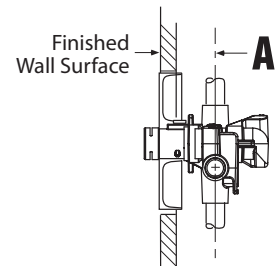
Model	Finish
178755	Chrome
178755BN	Brushed Nickel
178755ORB	Oil Rubbed Bronze



If dimension A in the diagrams below exceeds 2" for Posi-Temp valves or 1-5/8" for Moentrolvalves a valve extension kit will be required. Please order the 96945 series kit for Posi-Temp valves and the 137347 series kits for Moentrolvalves (must designate finish)



Posi-Temp Valve



Moentrol Valve

CRITICAL DIMENSIONS

(DO NOT SCALE)