

4

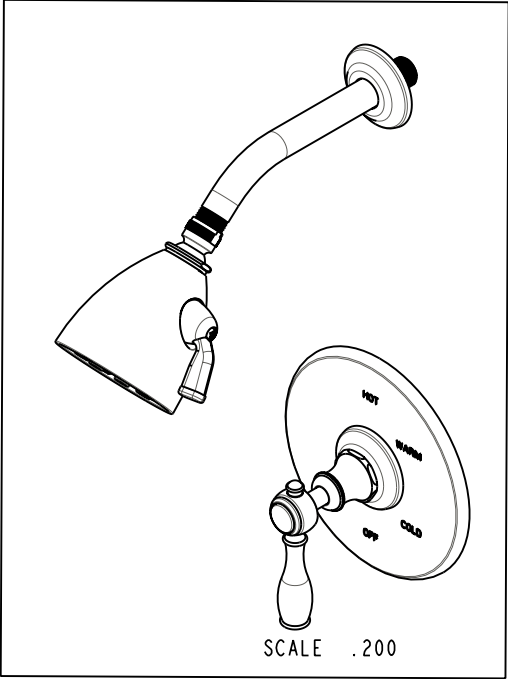
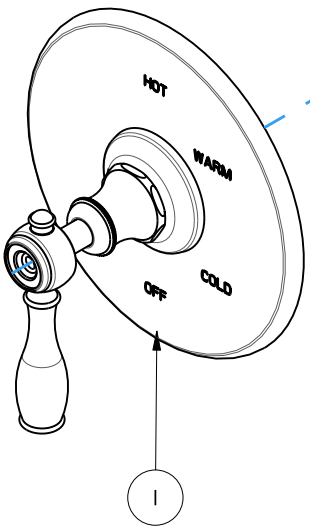
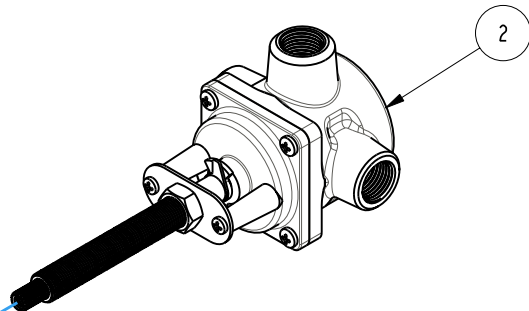
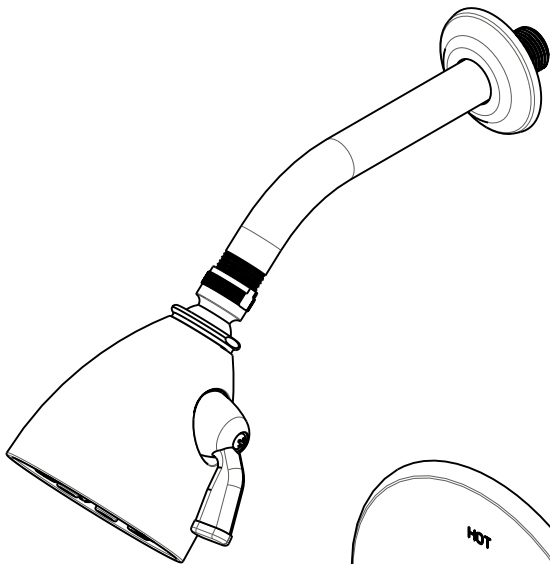
3

2

1

BILL OF MATERIAL (CURRENT LEVEL)

| ITEM | PT/ASSY | DESCRIPTION | TYPE | QTY. |
|------|----------|---------------------------|----------|------|
| 1 | 3-1774BP | SHOWER TRIM, 3-1774BP | ASSEMBLY | 1 |
| 2 | 1-504 | BP VALVE ASM W/O DIVERTER | ASSEMBLY | 1 |



COPYRIGHT 2005 BRASSTECH, INC. THESE DRAWINGS AND THE DESIGNS DEPICTED HEREIN ARE THE PROPRIETARY PROPERTY OF BRASSTECH. ANY USE OR REPRODUCTION IS SUBJECT TO THE EXPRESS APPROVAL OF BRASSTECH. UNAUTHORIZED USE IS STRICTLY PROHIBITED. ALL RIGHTS RESERVED.

BRASSTECH
INCORPORATED

2001 E. CARNEGIE AVE.
SANTA ANA, CA 92705
(949) 417-5207

SHOWER SET, LEVER HANDLE

| | | | | | |
|------------|--------|--------------|-----|----------|----------|
| ASSY. NO. | 1774BP | | - | - | - |
| SCALE .300 | REF. - | SHEET 1 OF 3 | REV | REV DESC | DATE |
| | | | | EO-0744 | 07/14/06 |

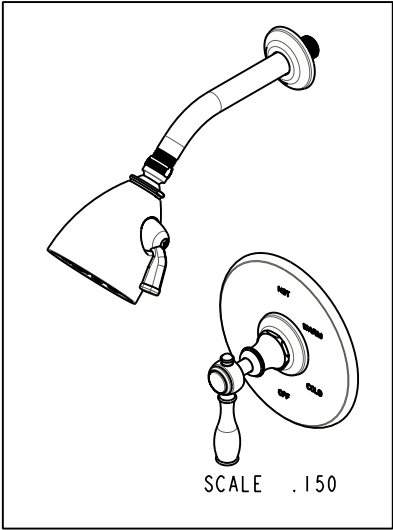
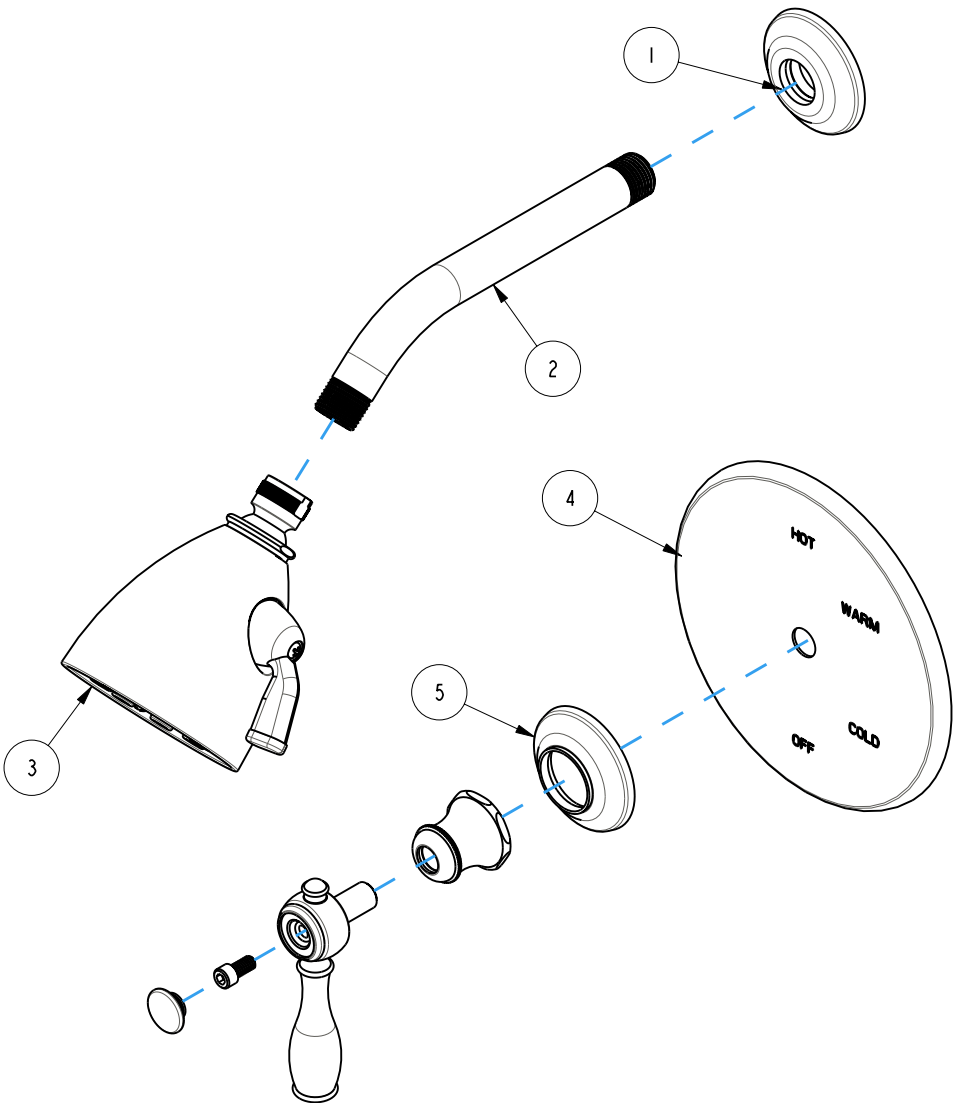
4

3

2

1

| BILL OF MATERIAL (CURRENT LEVEL) | | | | |
|----------------------------------|---------|---------------------------|----------|------|
| ITEM | PT/ASSY | DESCRIPTION | TYPE | QTY. |
| 1 | 2-503 | SHOWER FLANGE ASM | ASSEMBLY | 1 |
| 2 | 201 | SHOWER ARM 8" BRASS | PART | 1 |
| 3 | 211 | LG SHWRHEAD 3-1/2" | ASSEMBLY | 1 |
| 4 | 2-455 | BP COVERPLATE - SHWR ONLY | ASSEMBLY | 1 |
| 5 | 3-323 | LEVER HANDLE ASSEMBLY | ASSEMBLY | 1 |



COPYRIGHT 2005 BRASSTECH, INC. THESE DRAWINGS AND THE DESIGNS DEPICTED HEREIN ARE THE PROPRIETARY PROPERTY OF BRASSTECH. ANY USE OR REPRODUCTION IS SUBJECT TO THE EXPRESS APPROVAL OF BRASSTECH. UNAUTHORIZED USE IS STRICTLY PROHIBITED. ALL RIGHTS RESERVED.

BRASSTECH
INCORPORATED
2001 E. CARNEGIE AVE.
SANTA ANA, CA 92705
(949) 417-5207

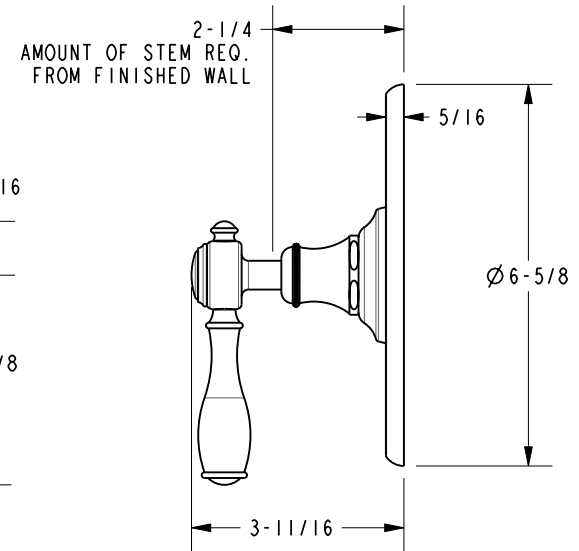
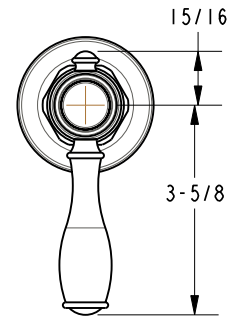
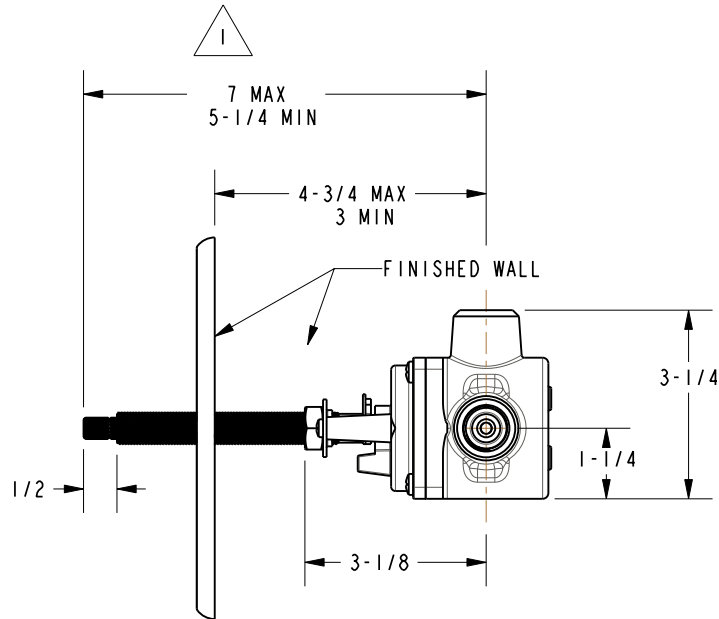
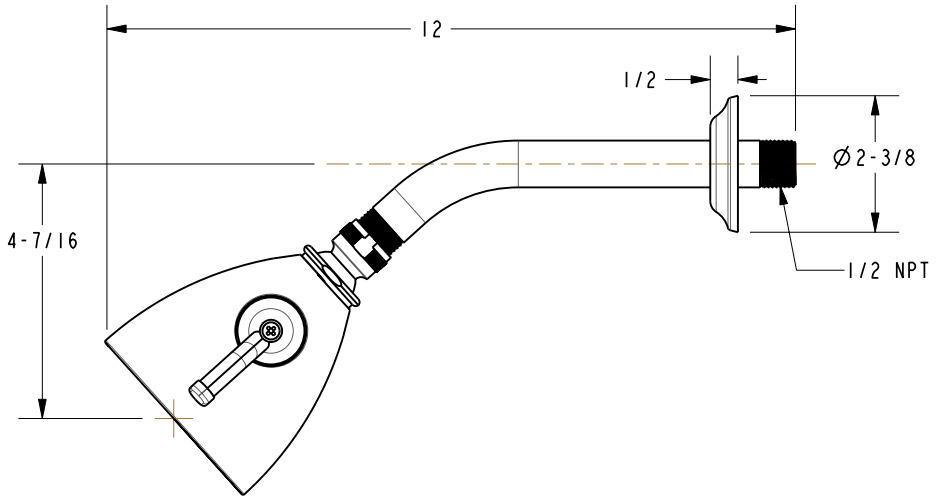
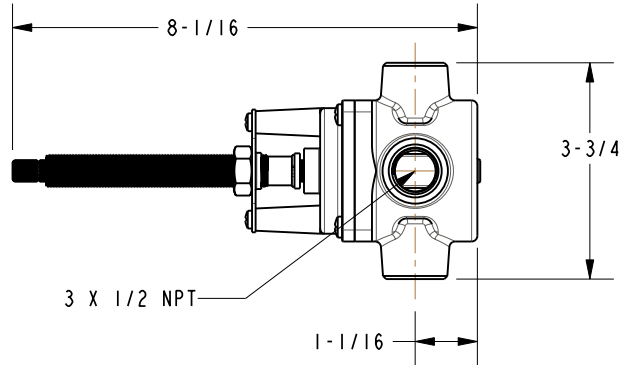
SHOWER TRIM, 3-1774BP

| | | | | |
|------------------|--------|--------------|---------|----------|
| ASSY. NO. 1774BP | | - | - | - |
| SCALE .300 | REF. - | SHEET 2 OF 3 | REV | REV DESC |
| | | | EO-0744 | 07/14/06 |
| | | | DATE | |

SPECIFICATION DWG

NOTES:

1 CUT STEM TO DIMENSION SHOWN.
CUT ALL-TREAD 3/4" SHORTER THAN STEM.



DIMENSIONS ARE IN INCHES AND AN APPROXIMATION OF A TYPICAL INSTALLATION

COPYRIGHT 2005 BRASSTECH, INC. THESE DRAWINGS AND THE DESIGNS DEPICTED HEREIN ARE THE PROPRIETARY PROPERTY OF BRASSTECH. ANY USE OR REPRODUCTION IS SUBJECT TO THE EXPRESS APPROVAL OF BRASSTECH. UNAUTHORIZED USE IS STRICTLY PROHIBITED. ALL RIGHTS RESERVED.

| | | |
|------------------|--------|-----------------------|
| BRASSTECH | | 2001 E. CARNEGIE AVE. |
| INCORPORATED | | SANTA ANA, CA 92705 |
| | | (949) 417-5207 |
| DWG NO. | 1774BP | REV - |
| SCALE .300 | REF. - | SHEET 3 OF 3 |