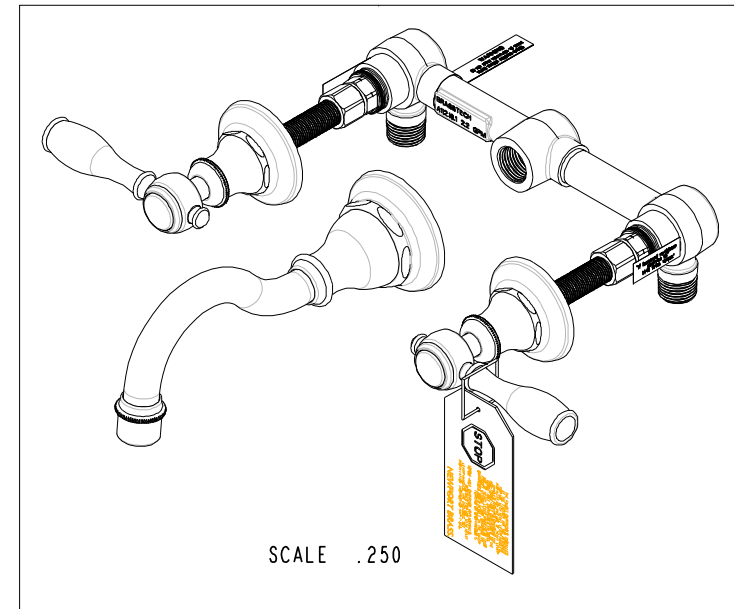
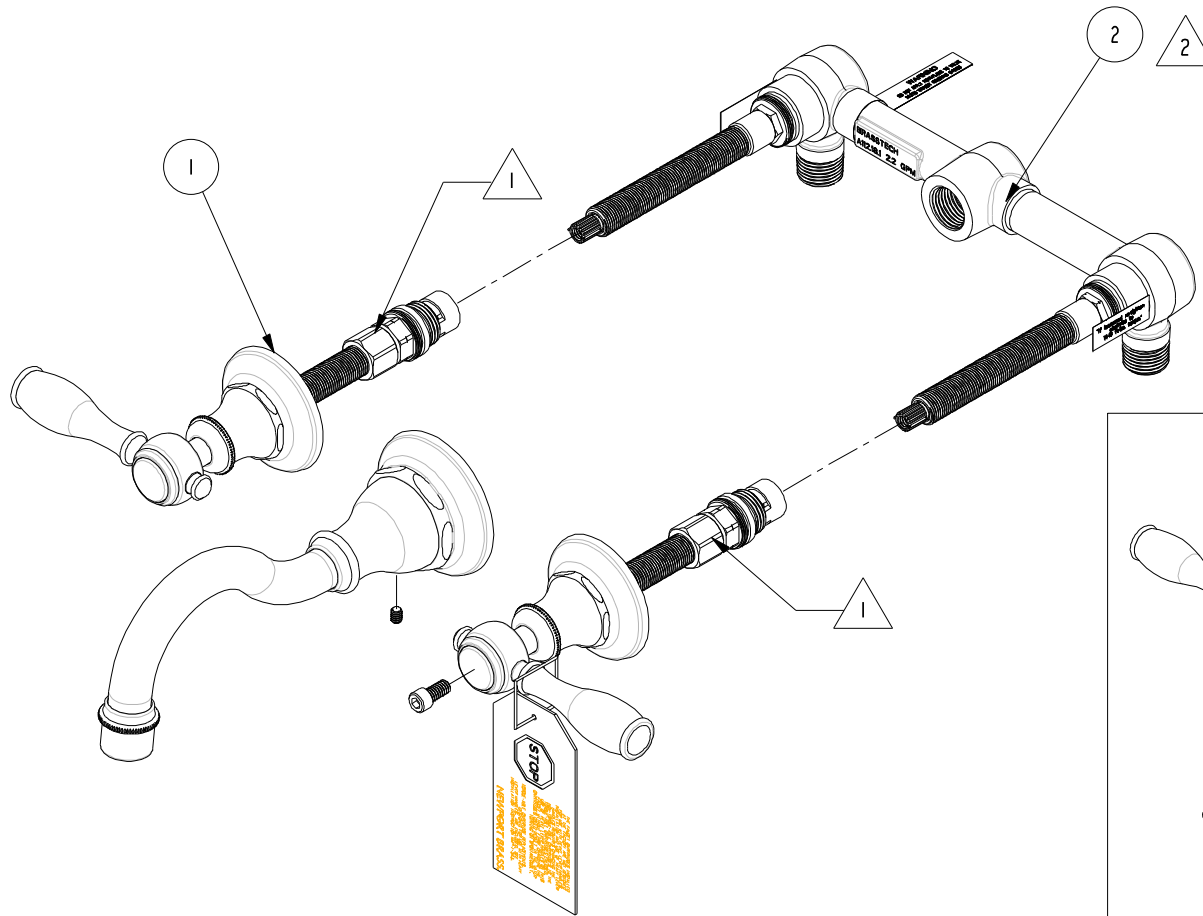


1 VALVE SHOWN WITH TORQ-ABLE CARTRIDGES THAT ARE SUPPLIED WITH TRIM KIT. THESE CARTRIDGES MUST BE USED TO REPLACE CARTRIDGES THAT ARE SUPPLIED WITH THE VALVE. TORQUE TO 14-16 FT-LBS.

2 RECOMMENDED VALVE(S), SHOWN WITH TRIM KIT, SOLD SEPERATELY.

BILL OF MATERIAL (CURRENT LEVEL)

ITEM	PT/ASSY	DESCRIPTION	TYPE	QTY.
1	3-1771	TRIM KIT, WALL LAV, 3-1771	ASSEMBLY	1
2	1-532	WALL LAVATORY KIT	ASSEMBLY	1



COPYRIGHT 2005 BRASSTECH, INC. THESE DRAWINGS AND THE DESIGNS DEPICTED HEREIN ARE THE PROPRIETARY PROPERTY OF BRASSTECH. ANY USE OR REPRODUCTION IS SUBJECT TO THE EXPRESS APPROVAL OF BRASSTECH. UNAUTHORIZED USE IS STRICTLY PROHIBITED. ALL RIGHTS RESERVED.

BRASSTECH
INCORPORATED
2001 E. CARNEGIE AVE.
SANTA ANA, CA 92705
(949) 417-5207

WALL MNT LAVATORY FAUCET, LEVER HANDLE

ASSY. NO.

1771

SCALE .300

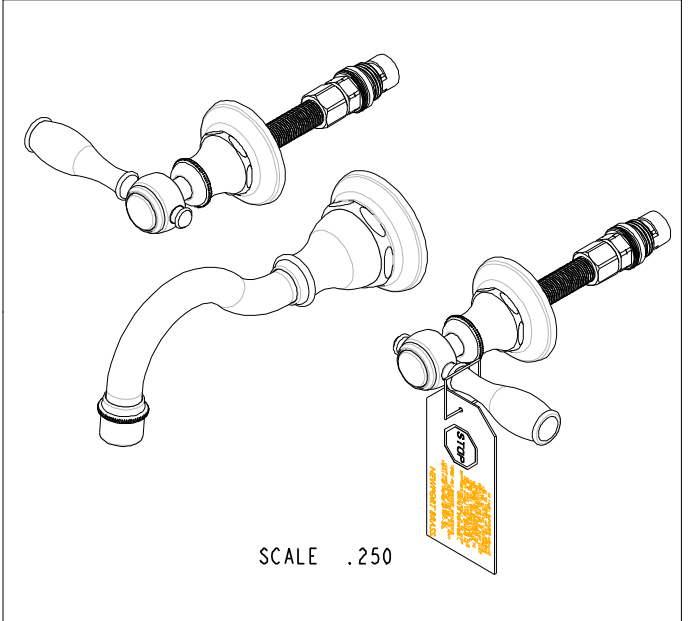
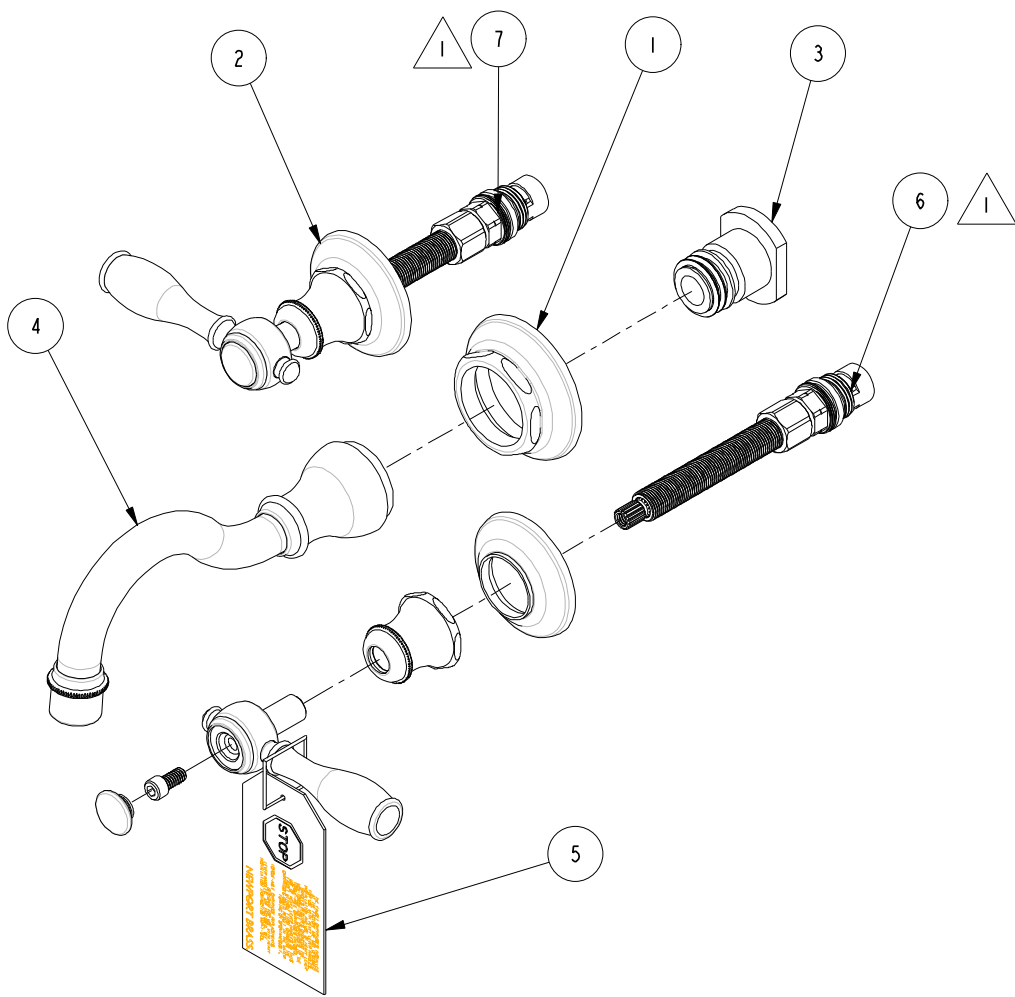
REF. -

SHEET 1 OF 3

B	EN-1176	10/23/09
A	EO-0758	09/11/06
-	EO-0744	07/14/06
REV	REV DESC	DATE

1 VALVE SHOWN WITH TORQ-ABLE CARTRIDGES THAT ARE SUPPLIED WITH TRIM KIT. THESE CARTRIDGES MUST BE USED TO REPLACE CARTRIDGES THAT ARE SUPPLIED WITH THE VALVE. TORQUE TO 14-16 FT-LBS.

BILL OF MATERIAL (CURRENT LEVEL)				
ITEM	PT/ASSY	DESCRIPTION	TYPE	QTY.
1	2-535	BASE RING, W/S SPOUT	ASSEMBLY	1
2	3-323	LEVER HANDLE ASSEMBLY	ASSEMBLY	2
3	1-164	WALL MOUNT QICK CONNECT ASM	ASSEMBLY	1
4	3-297	WALL LAV SPOUT ASSY	ASSEMBLY	1
5	98062	PRODUCT WARNING LABEL	PART	1
6	1-543	T/S TORQ. CARTRIDGE COLD	ASSEMBLY	1
7	1-544	T/S TORQ. CARTRIDGE HOT	ASSEMBLY	1



COPYRIGHT 2005 BRASSTECH, INC. THESE DRAWINGS AND THE DESIGNS DEPICTED HEREIN ARE THE PROPRIETARY PROPERTY OF BRASSTECH. ANY USE OR REPRODUCTION IS SUBJECT TO THE EXPRESS APPROVAL OF BRASSTECH. UNAUTHORIZED USE IS STRICTLY PROHIBITED. ALL RIGHTS RESERVED.

BRASSTECH
INCORPORATED
2001 E. CARNEGIE AVE.
SANTA ANA, CA 92705
(949) 417-5207

TRIM KIT, WALL LAV, 3-1771

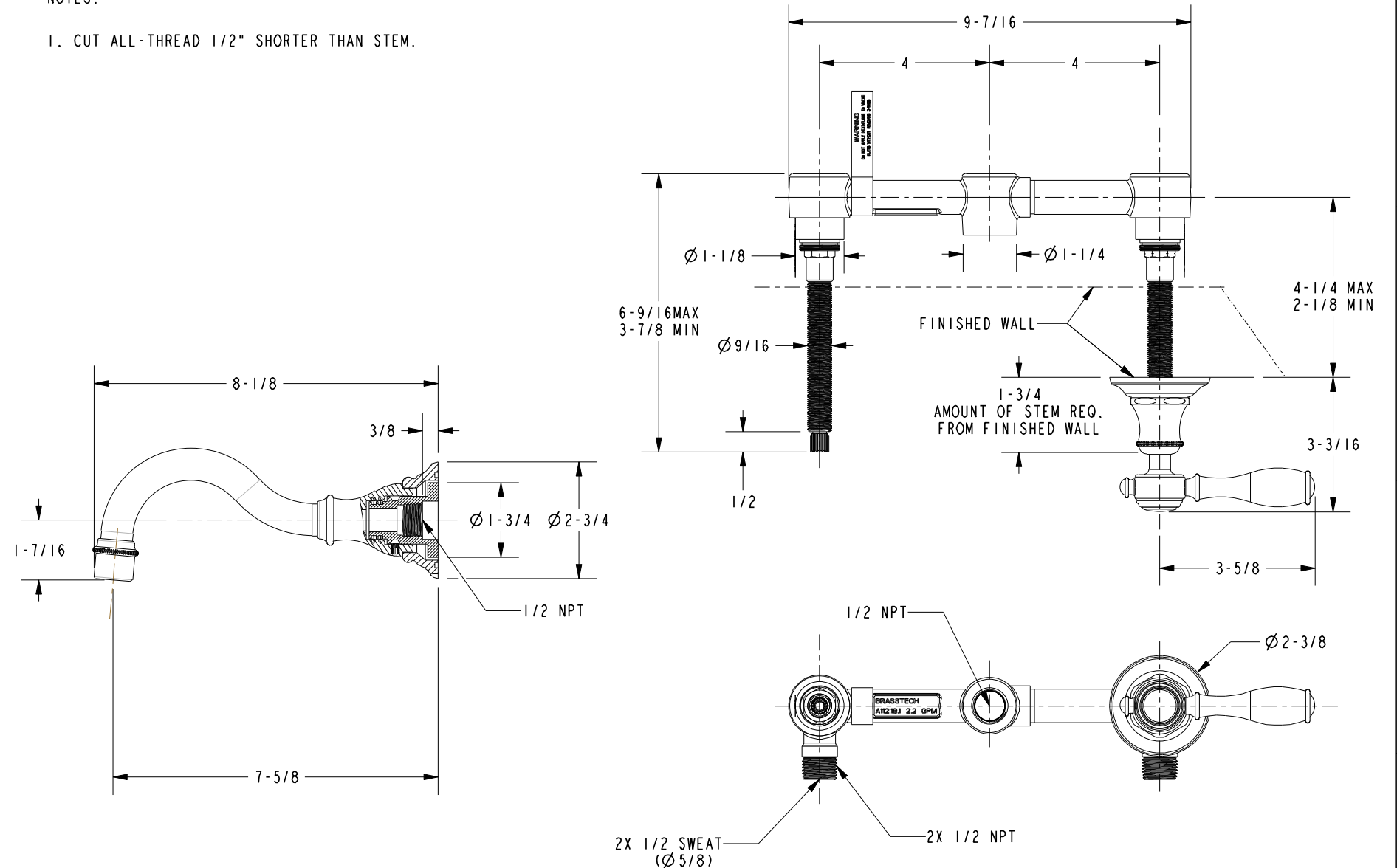
ASSY. NO.	1771		
SCALE .300	REF. -	SHEET 2 OF 3	REV
			REV DESC
			DATE

B	EN-1176	10/23/09
A	EO-0758	09/11/06
-	EO-0744	07/14/06

SPECIFICATION DWG

NOTES:

1. CUT ALL-THREAD 1/2" SHORTER THAN STEM.



DIMENSIONS ARE IN INCHES AND AN APPROXIMATION OF A TYPICAL INSTALLATION

COPYRIGHT 2005 BRASSTECH, INC. THESE DRAWINGS AND THE DESIGNS DEPICTED HEREIN ARE THE PROPRIETARY PROPERTY OF BRASSTECH. ANY USE OR REPRODUCTION IS SUBJECT TO THE EXPRESS APPROVAL OF BRASSTECH. UNAUTHORIZED USE IS STRICTLY PROHIBITED. ALL RIGHTS RESERVED.

BRASSTECH		2001 E. CARNEGIE AVE.	
INCORPORATED		SANTA ANA, CA 92705	
		(949) 417-5207	
DWG NO.	1771	REV	B
SCALE	.300	REF.	-
		SHEET 3 OF 3	