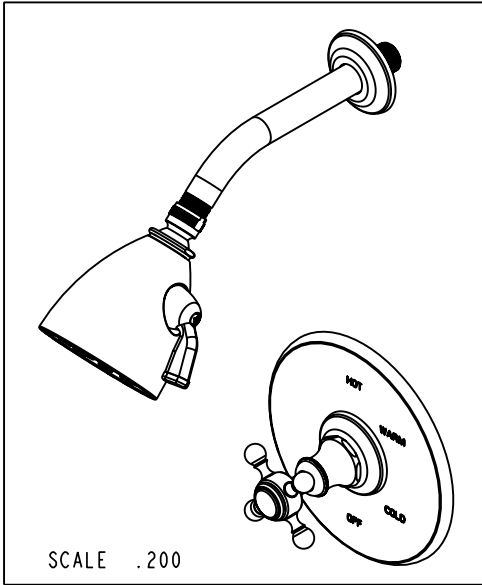
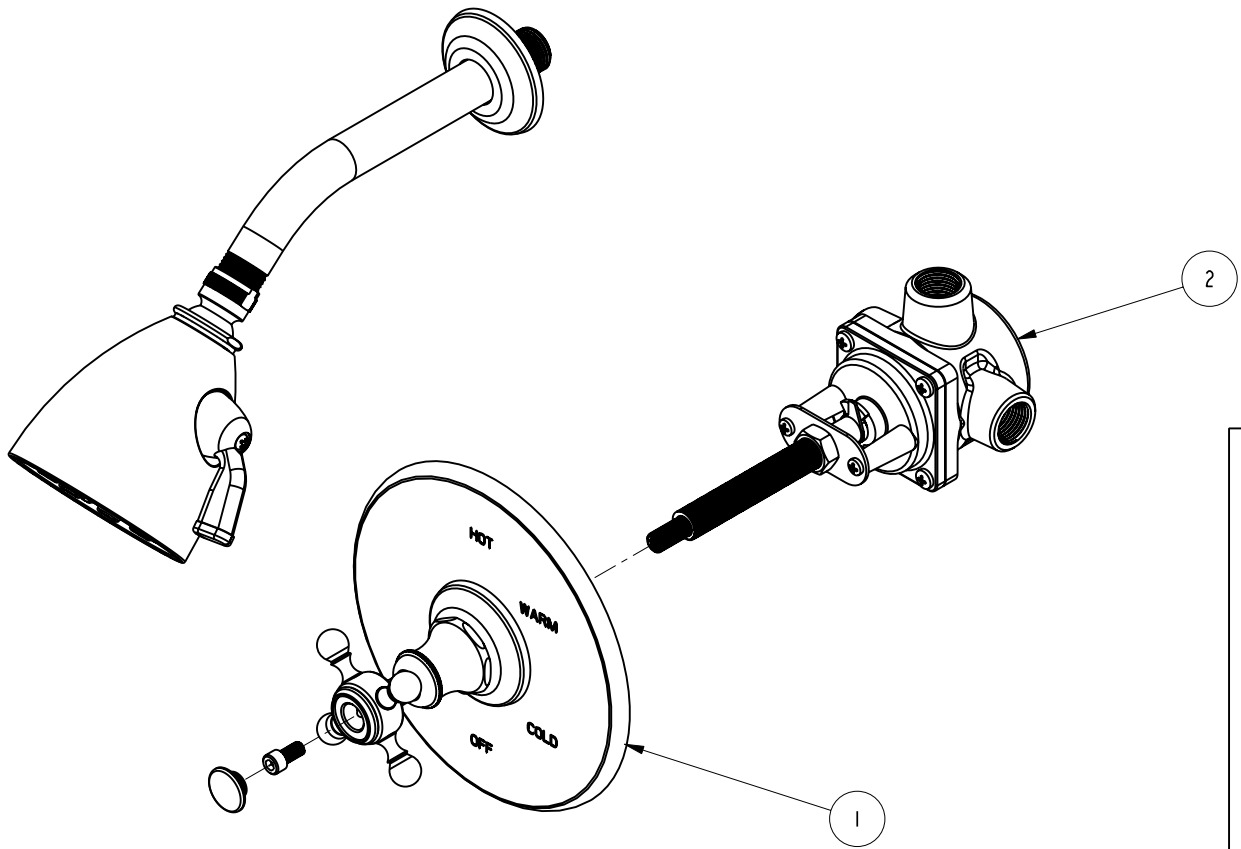


BILL OF MATERIAL (CURRENT LEVEL)				
ITEM	PT/ASSY	DESCRIPTION	TYPE	QTY.
1	3-1764BP	SHOWER TRIM, 3-1764BP	ASSEMBLY	1
2	1-504	BP VALVE ASM W/O DIVERTER	ASSEMBLY	1



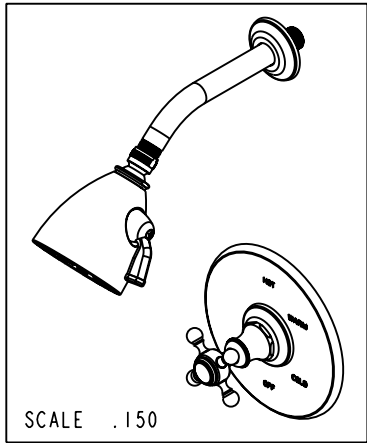
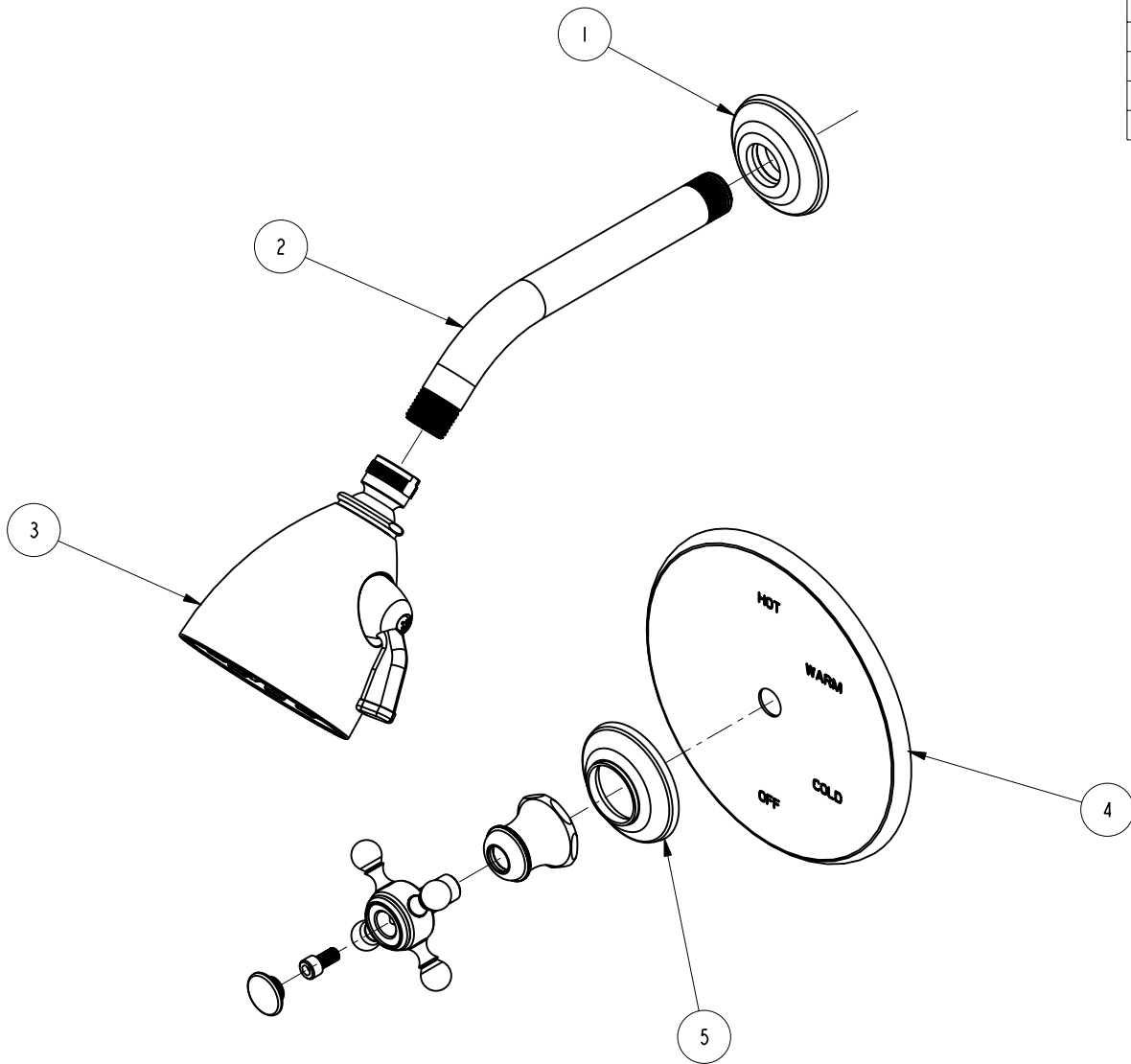
COPYRIGHT 2005 BRASSTECH, INC. THESE DRAWINGS AND THE DESIGNS DEPICTED HEREIN ARE THE PROPRIETARY PROPERTY OF BRASSTECH. ANY USE OR REPRODUCTION IS SUBJECT TO THE EXPRESS APPROVAL OF BRASSTECH. UNAUTHORIZED USE IS STRICTLY PROHIBITED. ALL RIGHTS RESERVED.

**BRASSTECH**  
INCORPORATED  
2001 E. CARNEGIE AVE.  
SANTA ANA, CA 92705  
(949) 417-5207

SHOWER SET, CROSS HANDLE

ASSY. NO.	1764BP		-	-	-
SCALE .300	REF. -	SHEET 1 OF 3	REV	REV DESC	DATE
				EO-0744	07/14/06

BILL OF MATERIAL (CURRENT LEVEL)				
ITEM	PT/ASSY	DESCRIPTION	TYPE	QTY.
1	2-503	SHOWER FLANGE ASM	ASSEMBLY	1
2	201	SHOWER ARM 8" BRASS	PART	1
3	211	LG SHWRHEAD 3-1/2"	ASSEMBLY	1
4	2-455	BP COVERPLATE - SHWR ONLY	ASSEMBLY	1
5	3-322	CROSS HANDLE ASSEMBLY	ASSEMBLY	1



COPYRIGHT 2005 BRASSTECH, INC. THESE DRAWINGS AND THE DESIGNS DEPICTED HEREIN ARE THE PROPRIETARY PROPERTY OF BRASSTECH. ANY USE OR REPRODUCTION IS SUBJECT TO THE EXPRESS APPROVAL OF BRASSTECH. UNAUTHORIZED USE IS STRICTLY PROHIBITED. ALL RIGHTS RESERVED.

**BRASSTECH**  
INCORPORATED  
2001 E. CARNEGIE AVE.  
SANTA ANA, CA 92705  
(949) 417-5207

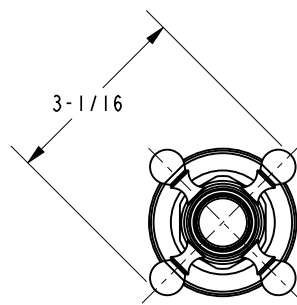
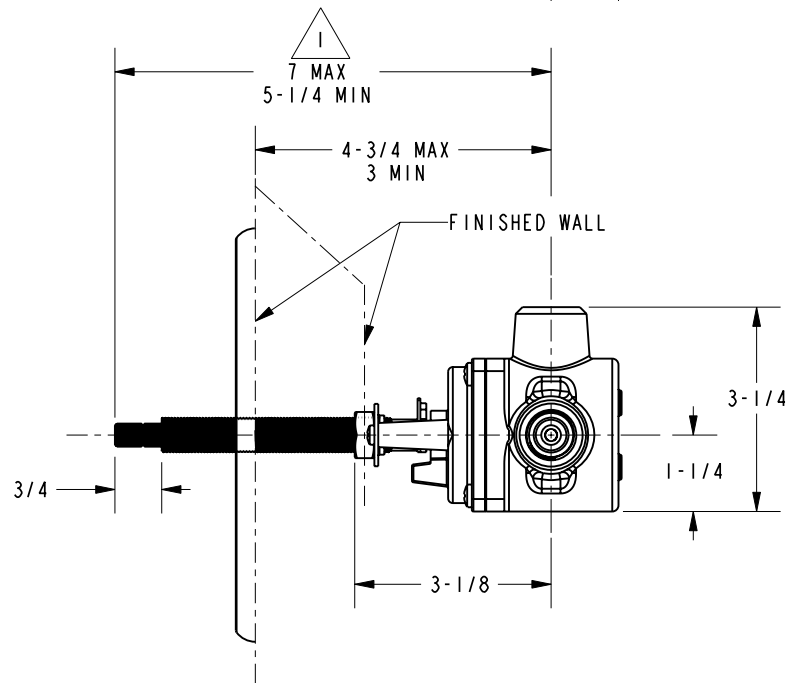
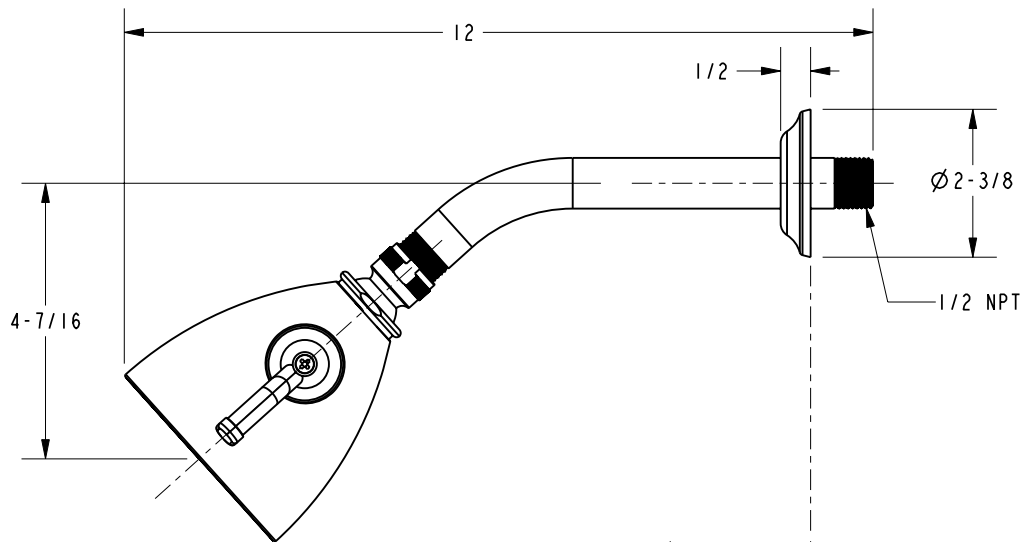
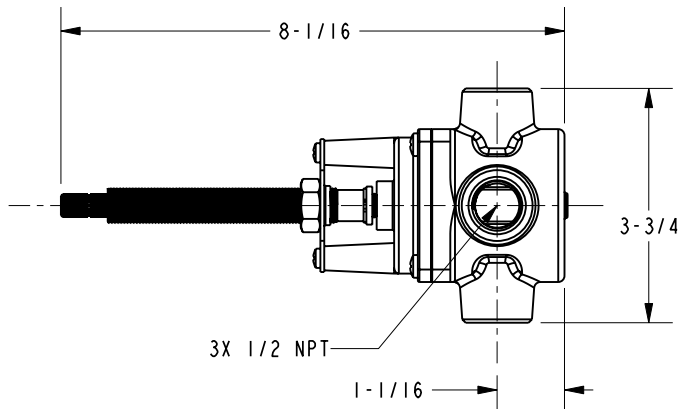
SHOWER TRIM, 3-1764BP

ASSY. NO.	1764BP		-	-	-
SCALE .300	REF. -	SHEET 2 OF 3	REV	REV DESC	DATE
				EO-0744	07/14/06

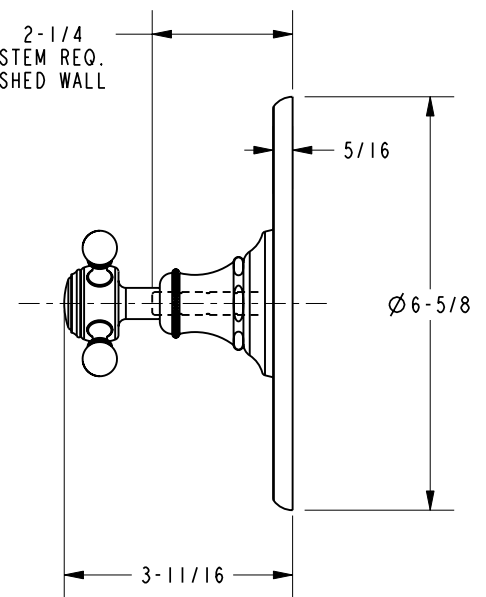
**SPECIFICATION DWG**

**NOTES:**

- 1. CUT STEM TO DIMENSION SHOWN.  
CUT ALL-THREAD 3/4" SHORTER THAN STEM.



2-1/4  
AMOUNT OF STEM REQ.  
FROM FINISHED WALL



DIMENSIONS ARE IN INCHES AND AN APPROXIMATION OF A TYPICAL INSTALLATION

COPYRIGHT 2005 BRASSTECH, INC. THESE DRAWINGS AND THE DESIGNS DEPICTED HEREIN ARE THE PROPRIETARY PROPERTY OF BRASSTECH. ANY USE OR REPRODUCTION IS SUBJECT TO THE EXPRESS APPROVAL OF BRASSTECH. UNAUTHORIZED USE IS STRICTLY PROHIBITED. ALL RIGHTS RESERVED.

<b>BRASSTECH</b>		2001 E. CARNEGIE AVE.
INCORPORATED		SANTA ANA, CA 92705
		(949) 417-5207
DWG NO.	1764BP	REV -
SCALE .325	REF. -	SHEET 3 OF 3