

4

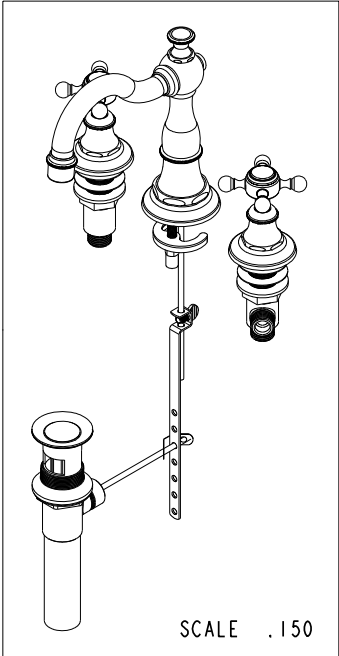
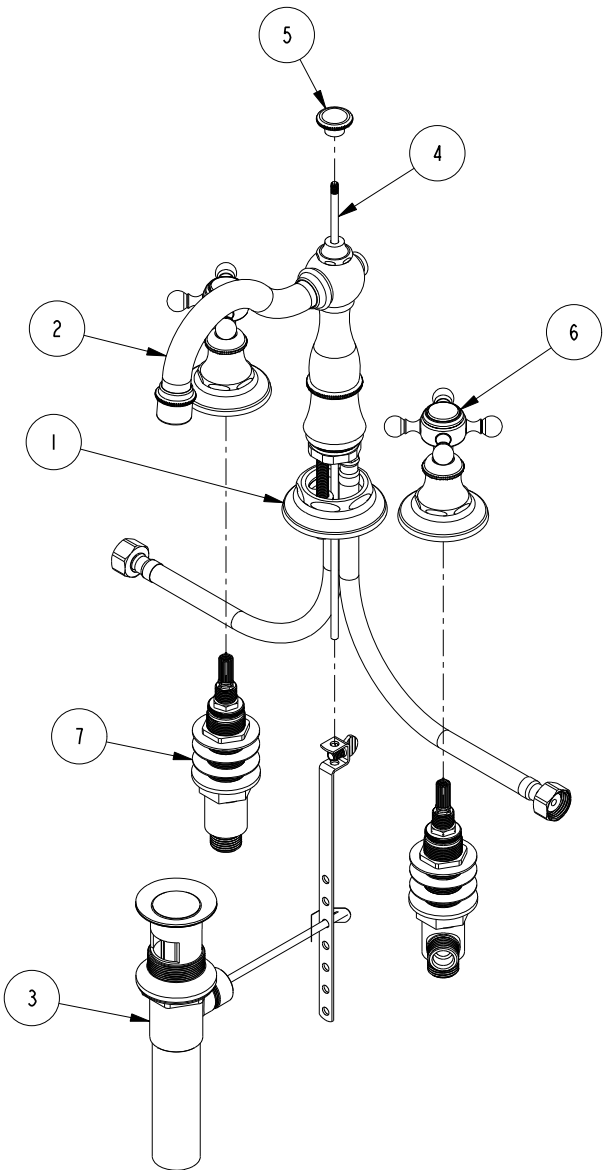
3

2

1

**BILL OF MATERIAL (CURRENT LEVEL)**

ITEM	PT/ASSY	DESCRIPTION	TYPE	QTY.
1	2-535	BASE RING, W/S SPOUT	ASSEMBLY	1
2	3-295	W/S SPOUT ASM	ASSEMBLY	1
3	325	POP UP ASSEMBLY	ASSEMBLY	1
4	30070	POP-UP ROD	PART	1
5	30225	POPOP KNOB	PART	1
6	3-322	CROSS HANDLE ASSEMBLY	ASSEMBLY	2
7	1-525	W/S VALVE INSTALLATION	ASSEMBLY	1



COPYRIGHT 2005 BRASSTECH, INC. THESE DRAWINGS AND THE DESIGNS DEPICTED HEREIN ARE THE PROPRIETARY PROPERTY OF BRASSTECH. ANY USE OR REPRODUCTION IS SUBJECT TO THE EXPRESS APPROVAL OF BRASSTECH. UNAUTHORIZED USE IS STRICTLY PROHIBITED. ALL RIGHTS RESERVED.

**BRASSTECH**  
 INCORPORATED  
 2001 CARBONEGAREAVE.  
 SANTA ANA, CA 92705  
 (949) 417-5207

**W/S SET W/ CROSS HANDLES**

ASSY. NO.

1760

SCALE .200

REF. -

SHEET 1 OF 2

C	EN-2553	07/02/13
B	EN-1616	09/13/10
A	EO-0758	09/11/06
-	EO-0744	07/14/06
REV	REV DESC	DATE

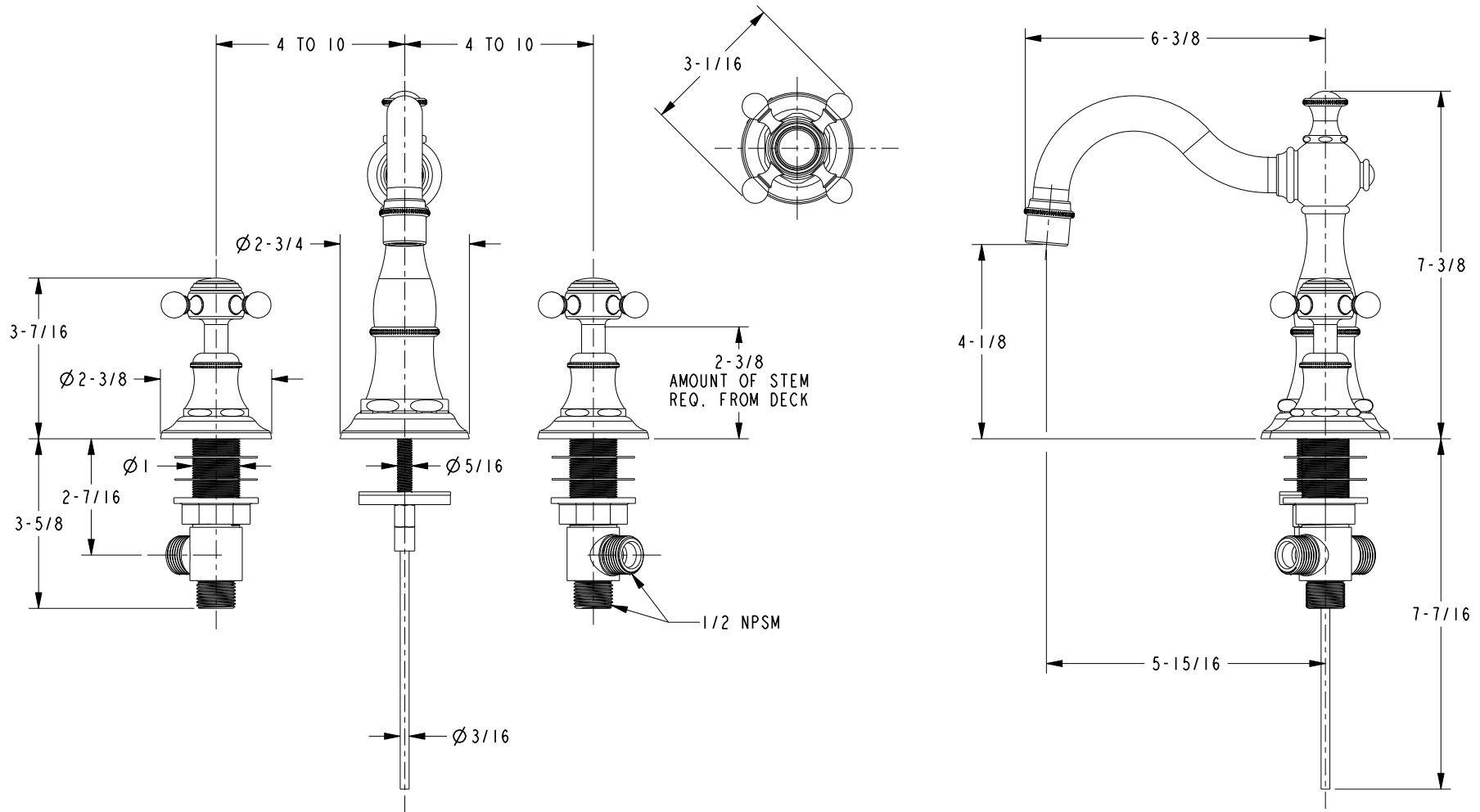
4

3

2

1

**SPECIFICATION DWG**



DIMENSIONS ARE IN INCHES AND AN APPROXIMATION OF A TYPICAL INSTALLATION

COPYRIGHT 2005 BRASSTECH, INC. THESE DRAWINGS AND THE DESIGNS DEPICTED HEREIN ARE THE PROPRIETARY PROPERTY OF BRASSTECH. ANY USE OR REPRODUCTION IS SUBJECT TO THE EXPRESS APPROVAL OF BRASSTECH. UNAUTHORIZED USE IS STRICTLY PROHIBITED. ALL RIGHTS RESERVED.

<b>BRASSTECH</b>		2001 CARNEGIE AVE. SANTA ANA, CA 92705 (949) 417-5207
DWG NO.	1760	REV C
SCALE	.300	REF. -
SHEET 2		OF 2