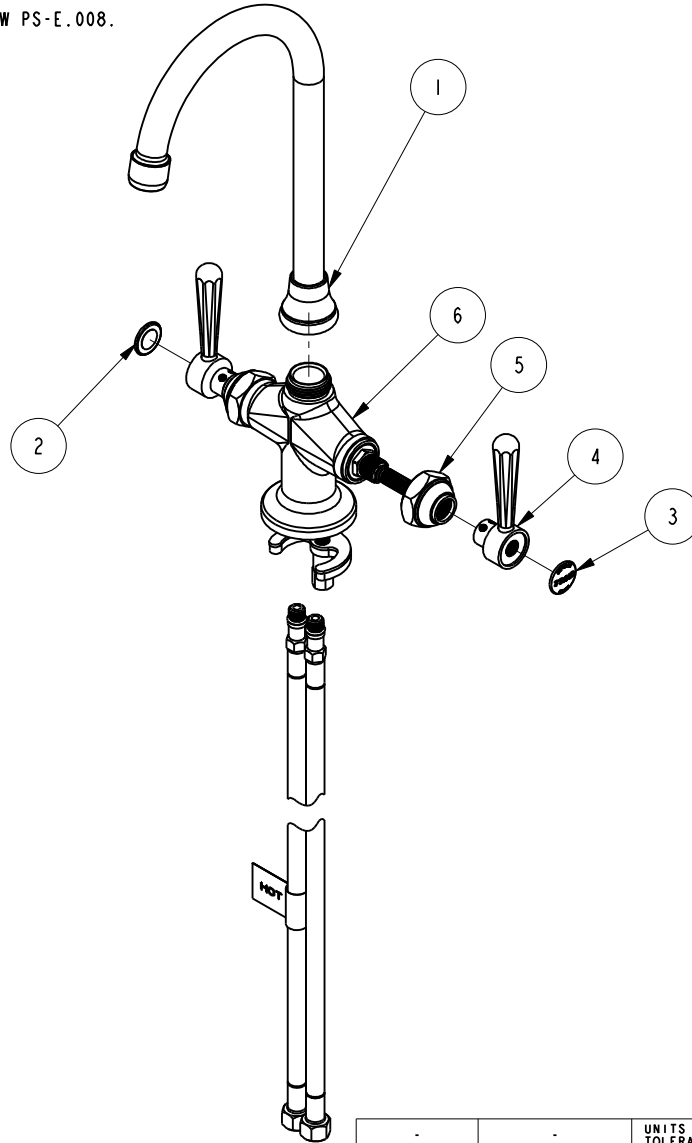


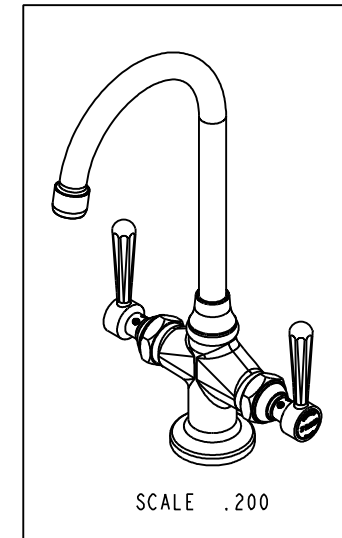
NOTES:

(N1) 1. FIT / FORM / FUNCTION SHALL FOLLOW PS-E.008.



BILL OF MATERIAL (CURRENT LEVEL)

ITEM	PT/ASSY	DESCRIPTION	TYPE	QTY.
1	2-132	BAR SPOUT ASM	ASSEMBLY	1
2	1-130	CHAUD BUTTON W/ADH. TAB	ASSEMBLY	1
3	1-131	FROID BUTTON W/ADH. TAB	ASSEMBLY	1
4	2-444	LEVER HANDLE ASM	ASSEMBLY	2
5	10517	NUT - DOME HEX	PART	2
6	2-239	SINGLE HOLE CROSS BAR ASSEMBLY	ASSEMBLY	1



TESTING	-	-	-
ASSEMBLY	-	-	-
PLATING	-		
POLISHING	-	NEXT ASSY	USED ON
MACHINING	-	APPLICATION	
TOOLING FIXTURE #		REMOVE ALL BURRS AND SHARP EDGES	

UNITS ARE: INCHES [MM]
 TOLERANCES ARE:
 FRACTIONS DECIMALS ANGLES
 $\pm 1/16"$.X $\pm .1$ [2.5] $\pm 1^\circ$
 .XX $\pm .06$ [1.5]

(X.XXX) DENOTES CRITICAL DIMS.
 ALL THREADS ARE CRITICAL

DRAWN RAVINDRA 12/23/15
 CHECKED JINSON 12/23/15
 APPROVED J.M 01/15/16

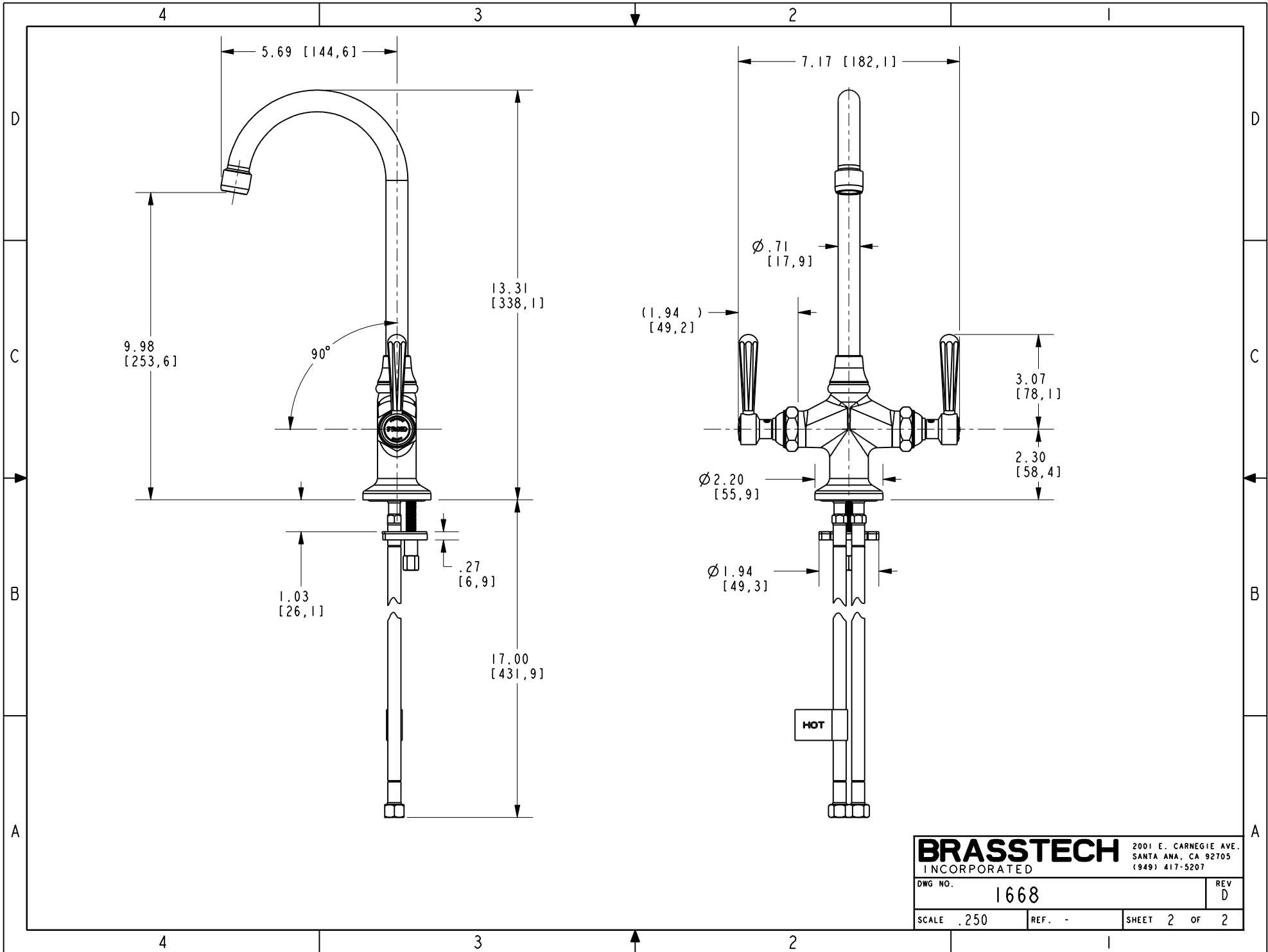
BRASSTECH 2001 CARNEGIE AVE.
 INCORPORATED SANTA ANA, CA 92705
 (949) 417-5207

BAR FAUCET

DWG NO. 1668 REV D
 SCALE .225 REF. - SHEET 1 OF 2

ZONE	REV	DESCRIPTION	DATE	APPROVED
-	D	EN-2643	01/15/16	J.M
-	C	EN-2119	07/25/12	-
-	B	EO-1073	08/15/08	-
-	A	EO-0274	10/20/03	-

COPYRIGHT 2005 BRASSTECH, INC.
 THESE DRAWINGS AND THE DESIGNS
 DEPICTED HEREIN ARE THE PROPRIETARY
 PROPERTY OF BRASSTECH. ANY USE
 OR REPRODUCTION IS SUBJECT TO
 THE EXPRESS APPROVAL OF BRASSTECH.
 UNAUTHORIZED USE IS STRICTLY
 PROHIBITED. ALL RIGHTS RESERVED.



BRASSTECH		2001 E. CARNEGIE AVE. SANTA ANA, CA 92705 (949) 417-5207	
DWG NO.	1668	REV	D
SCALE .250	REF. -	SHEET 2	OF 2