

AXOR Montreux

Wall-Mounted Widespread Faucet Trim with Cross Handles, 1.2 GPM

Finishes : brushed nickel Part no. : 16532821



Description

Features

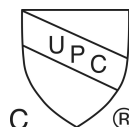
- Aerated spray
- Flow: 1.2 GPM (4.5 L/Min)
- 90° ceramic valves

Item details

Technology



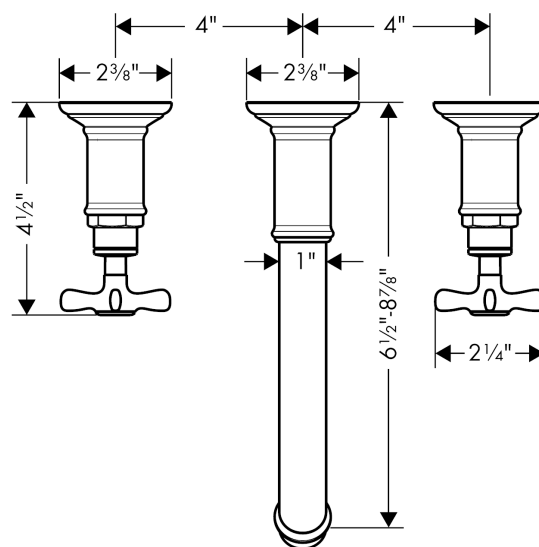
Compliance



Product image



Scale drawing



AXOR Montreux

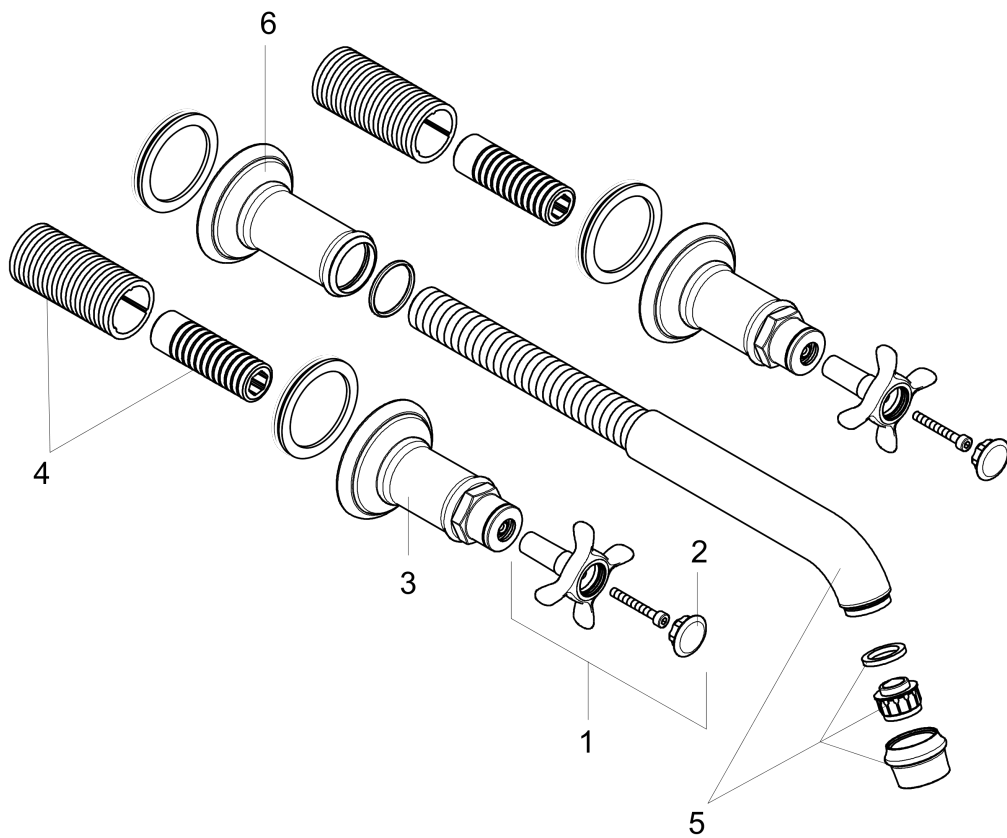
Wall-Mounted Widespread Faucet Trim with Cross Handles, 1.2 GPM

Finishes : brushed nickel Part no. : 16532821



Exploded drawing

Year of production: >07/16



AXOR Montreux

Wall-Mounted Widespread Faucet Trim with Cross Handles, 1.2 GPM

Finishes : **brushed nickel** Part no. : **16532821**



Spare parts list

Year of production: >07/16

Pos.	Description	Part no.	Price	PU
1	handle	16291820	-	1
2	set of screw covers, cold / hot water / neutral	97987000	-	1
3	escutcheon for handle	98578820	-	1
4	fixing set	96392000	-	1
5	spout cpl.	98574820	-	1
6	escutcheon for spout	98576820	-	1
a	base body	10303181	-	1
b	mounting-set V+B	96142000	-	1