

AXOR Montreux
Axor Montreux Pressure Balance Trim
Surfaces: **Chrome** Article Number: **16508001**



Description

product features

- flow rate at 3 bar: 20.6 l/min
- pressure control and volume control in one unit
- bypass for use with diverter-type tub spouts
- temperature limitation adjustable
- temperature and volume control for 1 outlet
- suitable for continuous flow water heaters

Product image

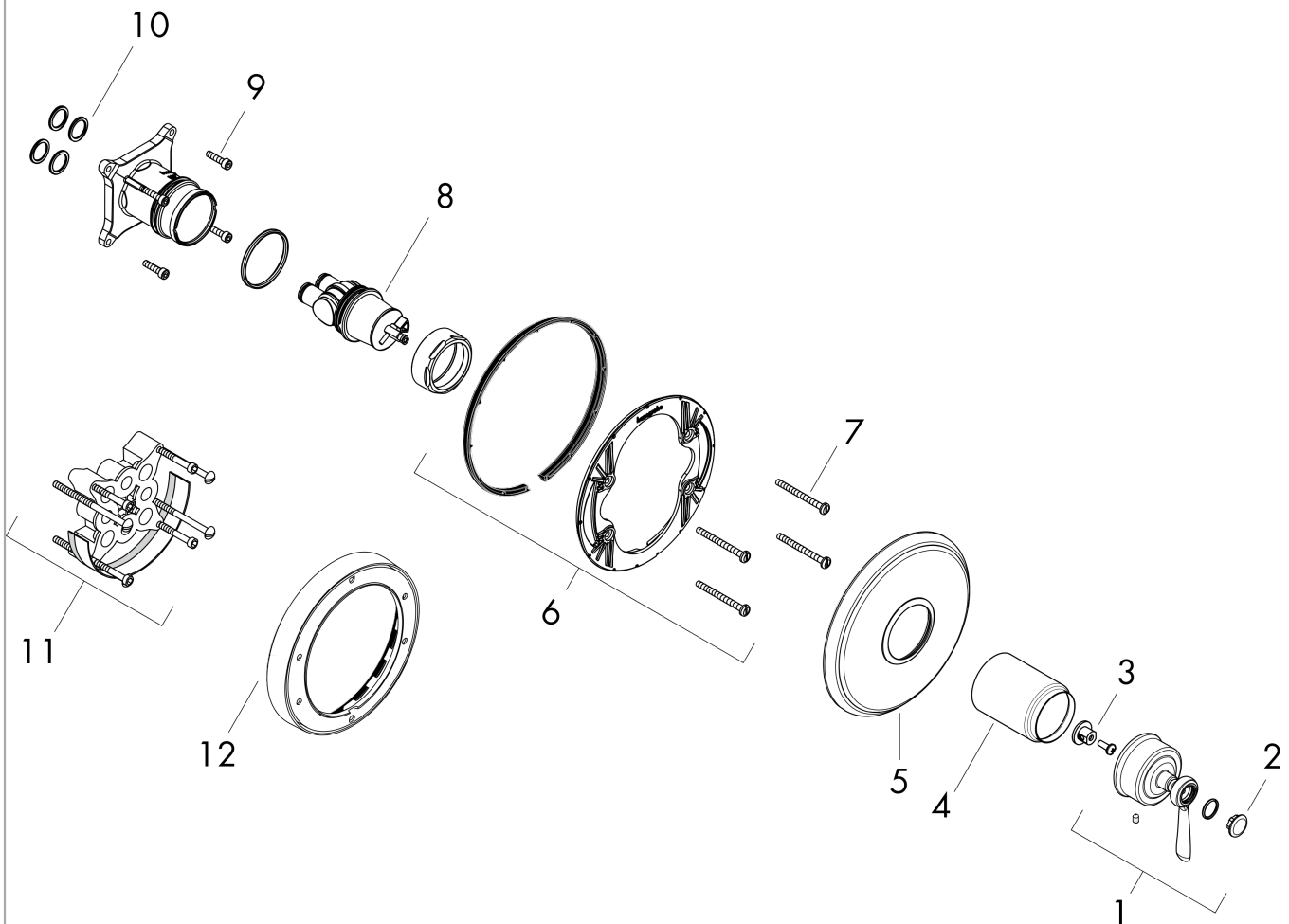


AXOR Montreux
Axor Montreux Pressure Balance Trim
Surfaces: **Chrome** Article Number: **16508001**



Exploded Drawing

Year of production: >04/09



AXOR Montreux
Axor Montreux Pressure Balance Trim
 Surfaces: **Chrome** Article Number: **16508001**



Spare part list

Year of production: >04/09

Pos.	Description	Article Number	PC	PU
1	handle	88776000	0	1
2	set of screw covers, cold / hot water / neutral	97987000	0	1
3	adapter for handle	92756000	0	1
4	sleeve	88765000	0	1
5	escutcheon	88777000	0	1
6	set of fixing screws	96454000	0	1
7	sub plate	96447000	0	1
8	cartridge, assy	88727000	0	1
9	set of screws	96525000	0	1
10	O-ring 16x2	98133000	0	1
a	base body	01850181	0	1