

Rough, Quattro Green 3-Way Diverter (no shared function), 3/4"

Finishes : n.a. Part no. : 15936181



Description

Features

- 1 inlet, 3 outlets (no shared function)
- 3/4" NPT
- Requires volume control
- Flow: 17 GPM (65.0 L/Min)

Item details

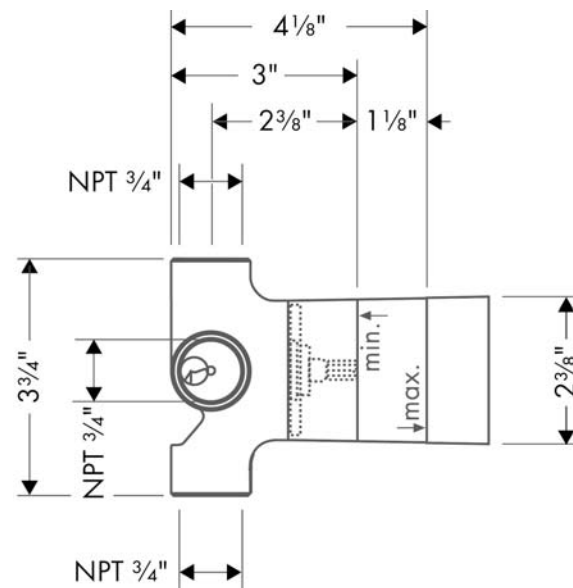
Compliance



Product image



Scale drawing

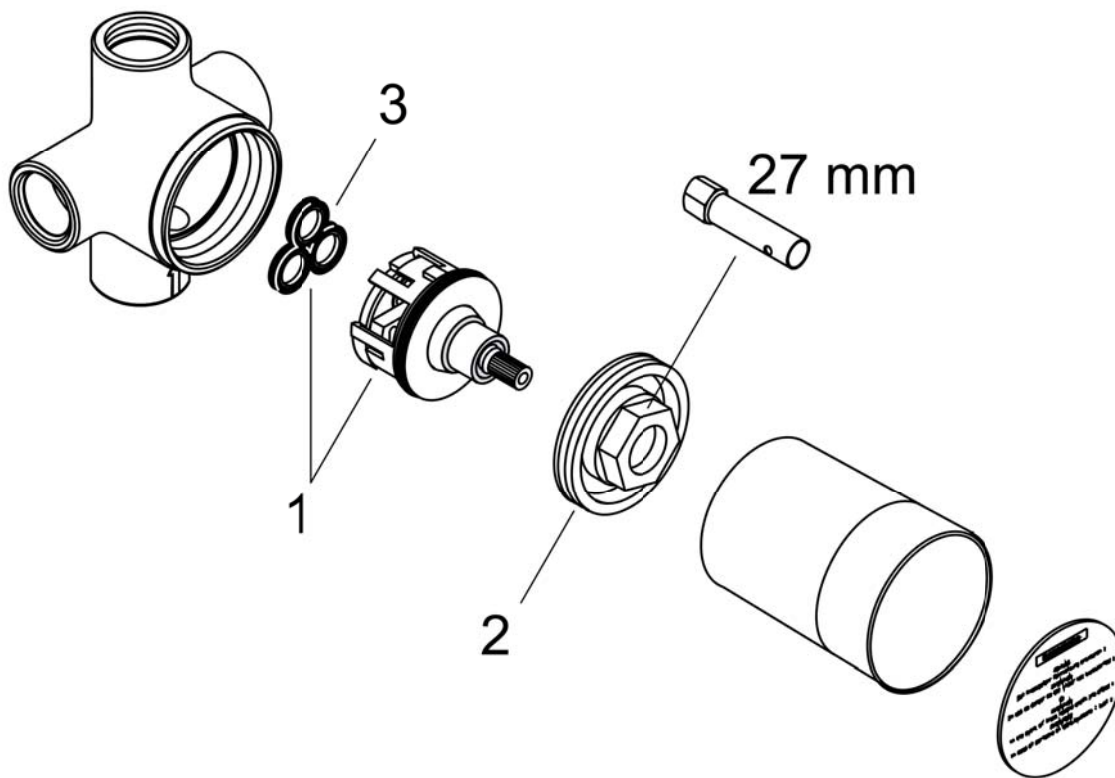


Rough, Quattro Green 3-Way Diverter (no shared function), 3/4"
Finishes : n.a. Part no. : 15936181



Exploded drawing

Year of production: >07/18



Rough, Quattro Green 3-Way Diverter (no shared function), 3/4"
 Finishes : n.a. Part no. : 15936181



Spare parts list

Year of production: >07/18

Pos.	Description	Part no.	Price	PU
1	diverter unit	96604001	-	1
2	nut	97550000	-	1
3	sealing set	98798000	-	1