

4

3

2

1

BILL OF MATERIAL (CURRENT LEVEL)

ITEM	PT/ASSY	DESCRIPTION	TYPE	QTY.
1	3-1507	TRIM KIT - 3-1507	ASSEMBLY	1
2	1-503	ROMAN TUB 3-VALVE ROUGH	ASSEMBLY	1

D

D

C

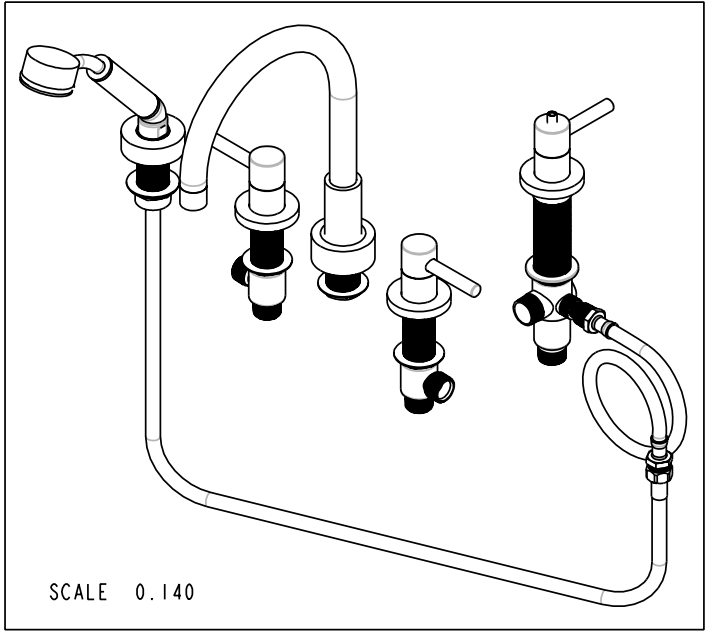
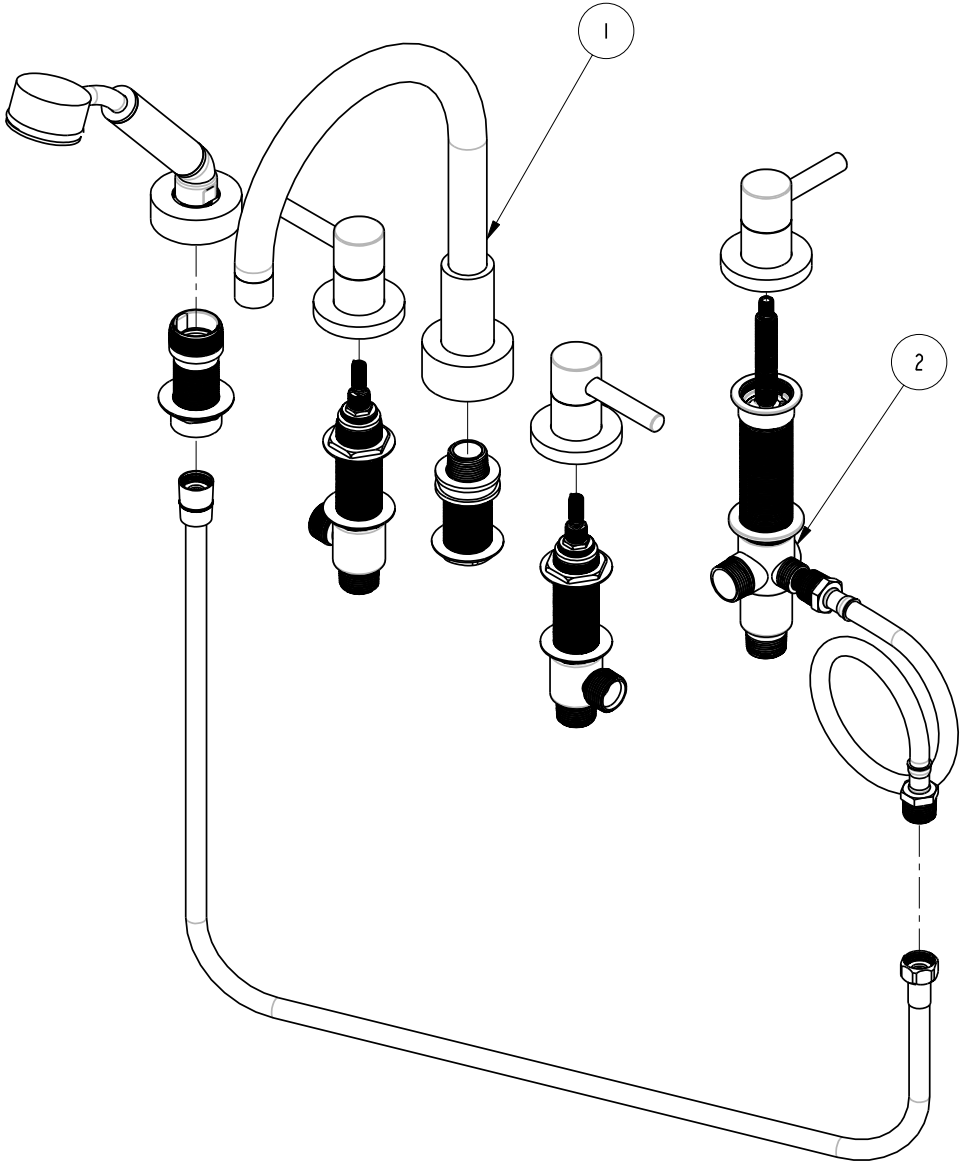
C

B

B

A

A



NOTE: RECOMMENDED VALVE(S), SHOWN WITH TRIM KIT, SOLD SEPARATELY.

BRASSTECH INCORPORATED
 2001 E. CARNEGIE AVE.
 SANTA ANA, CA 92705
 (949) 417-5207

ROMAN TUB W / HANDSHOWER

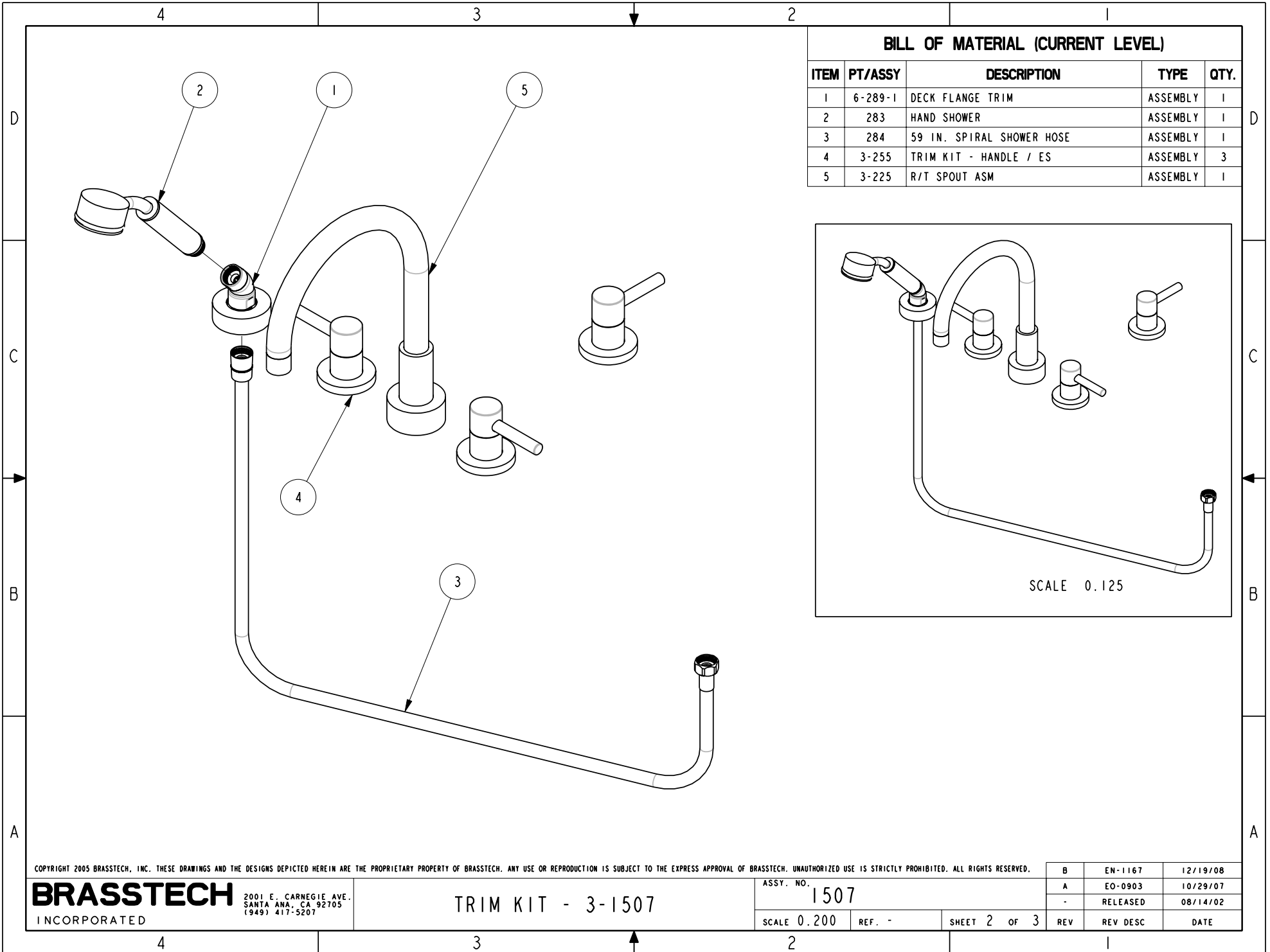
ASSY. NO.	1507		
SCALE 0.200	REF. -	SHEET 1 OF 3	REV
			REV DESC
			DATE

4

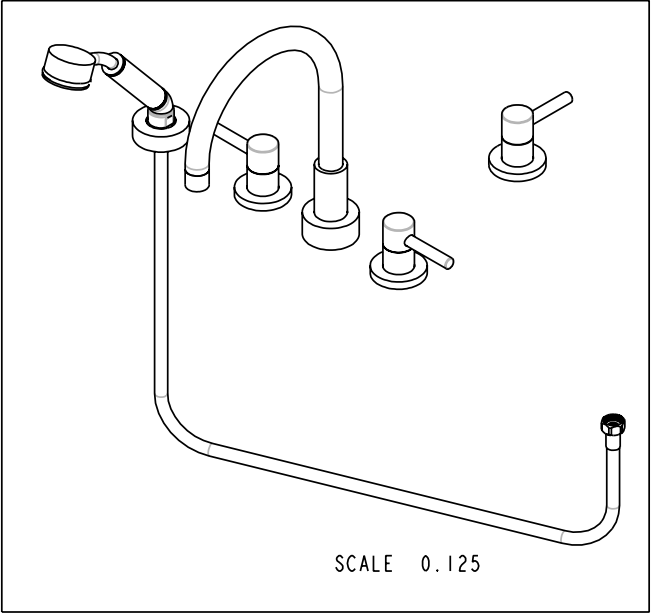
3

2

1



BILL OF MATERIAL (CURRENT LEVEL)				
ITEM	PT/ASSY	DESCRIPTION	TYPE	QTY.
1	6-289-1	DECK FLANGE TRIM	ASSEMBLY	1
2	283	HAND SHOWER	ASSEMBLY	1
3	284	59 IN. SPIRAL SHOWER HOSE	ASSEMBLY	1
4	3-255	TRIM KIT - HANDLE / ES	ASSEMBLY	3
5	3-225	R/T SPOUT ASM	ASSEMBLY	1



COPYRIGHT 2005 BRASSTECH, INC. THESE DRAWINGS AND THE DESIGNS DEPICTED HEREIN ARE THE PROPRIETARY PROPERTY OF BRASSTECH. ANY USE OR REPRODUCTION IS SUBJECT TO THE EXPRESS APPROVAL OF BRASSTECH. UNAUTHORIZED USE IS STRICTLY PROHIBITED. ALL RIGHTS RESERVED.

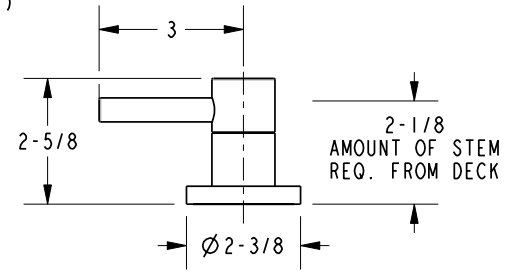
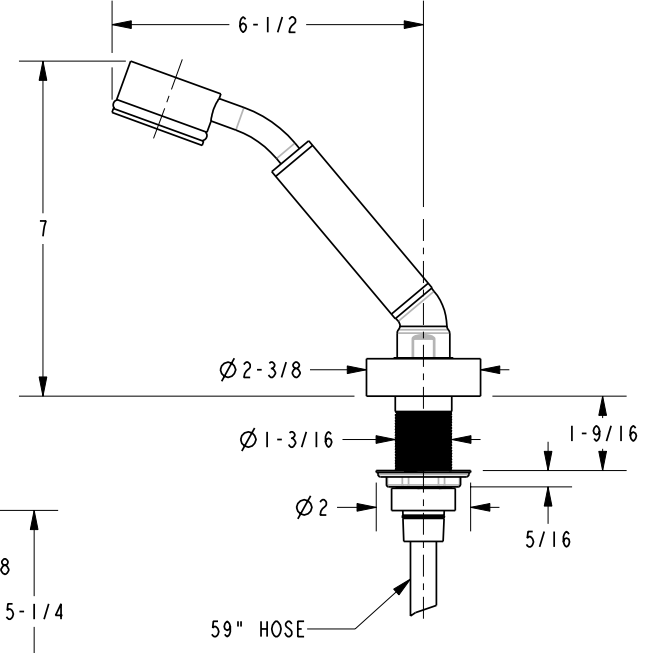
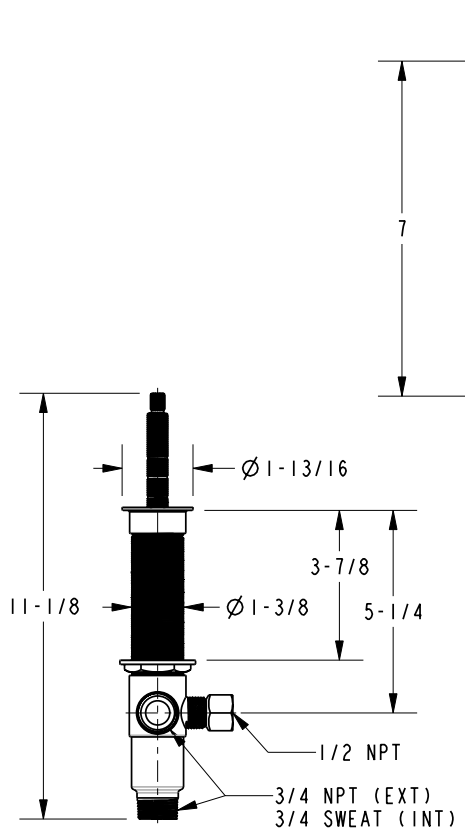
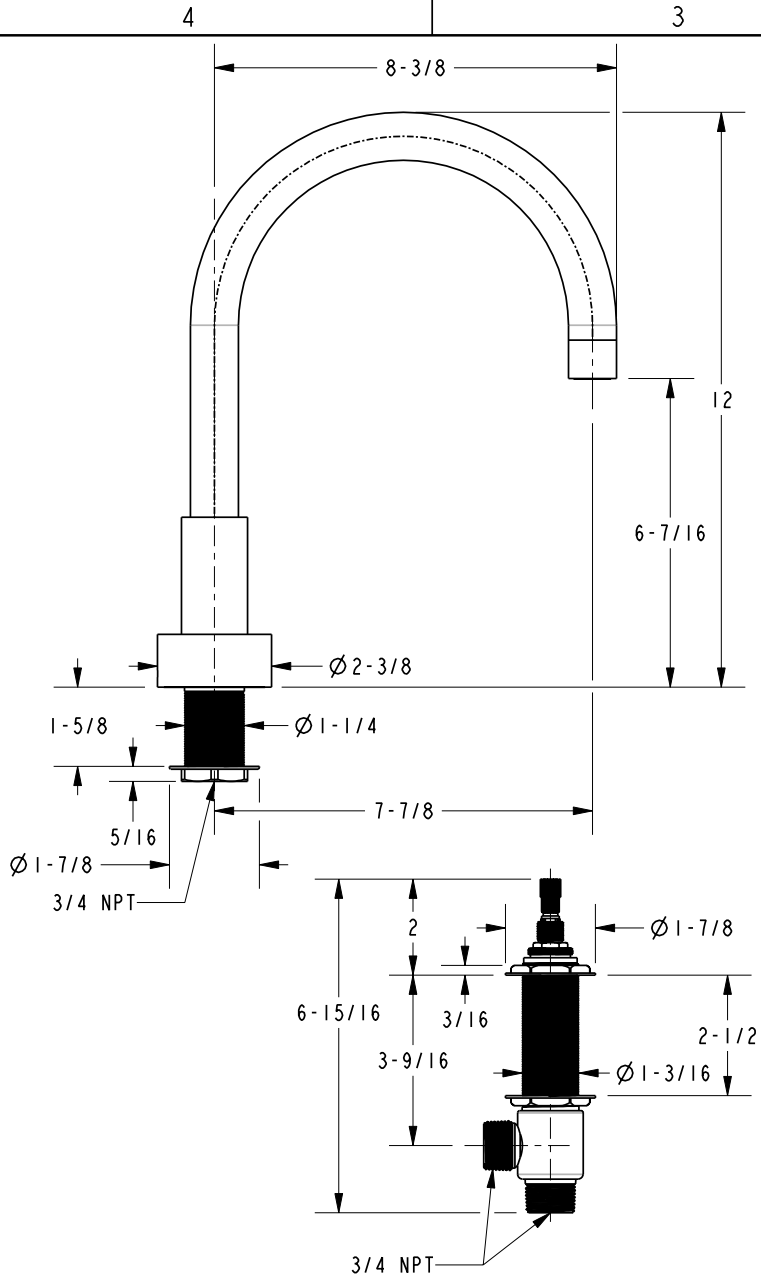
BRASSTECH
INCORPORATED
2001 E. CARNEGIE AVE.
SANTA ANA, CA 92705
(949) 417-5207

TRIM KIT - 3-1507

ASSY. NO.	1507		
SCALE 0.200	REF. -	SHEET 2 OF 3	REV
			REV DESC
			DATE

B	EN-1167	12/19/08
A	EO-0903	10/29/07
-	RELEASED	08/14/02

SPECIFICATION DWG



DIMENSIONS ARE IN INCHES AND AN APPROXIMATION OF A TYPICAL INSTALLATION

COPYRIGHT 2005 BRASSTECH, INC. THESE DRAWINGS AND THE DESIGNS DEPICTED HEREIN ARE THE PROPRIETARY PROPERTY OF BRASSTECH. ANY USE OR REPRODUCTION IS SUBJECT TO THE EXPRESS APPROVAL OF BRASSTECH. UNAUTHORIZED USE IS STRICTLY PROHIBITED. ALL RIGHTS RESERVED.

BRASSTECH		2001 E. CARNEGIE AVE.	
INCORPORATED		SANTA ANA, CA 92705	
		(949) 417-5207	
DWG NO.	1507	REV	B
SCALE	1.000	REF.	-
		SHEET 3 OF 3	