

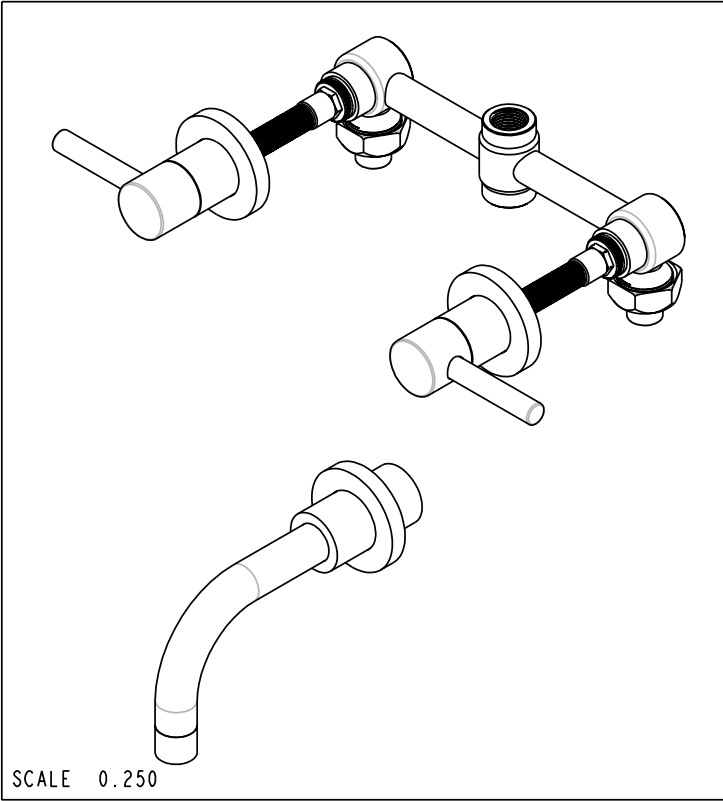
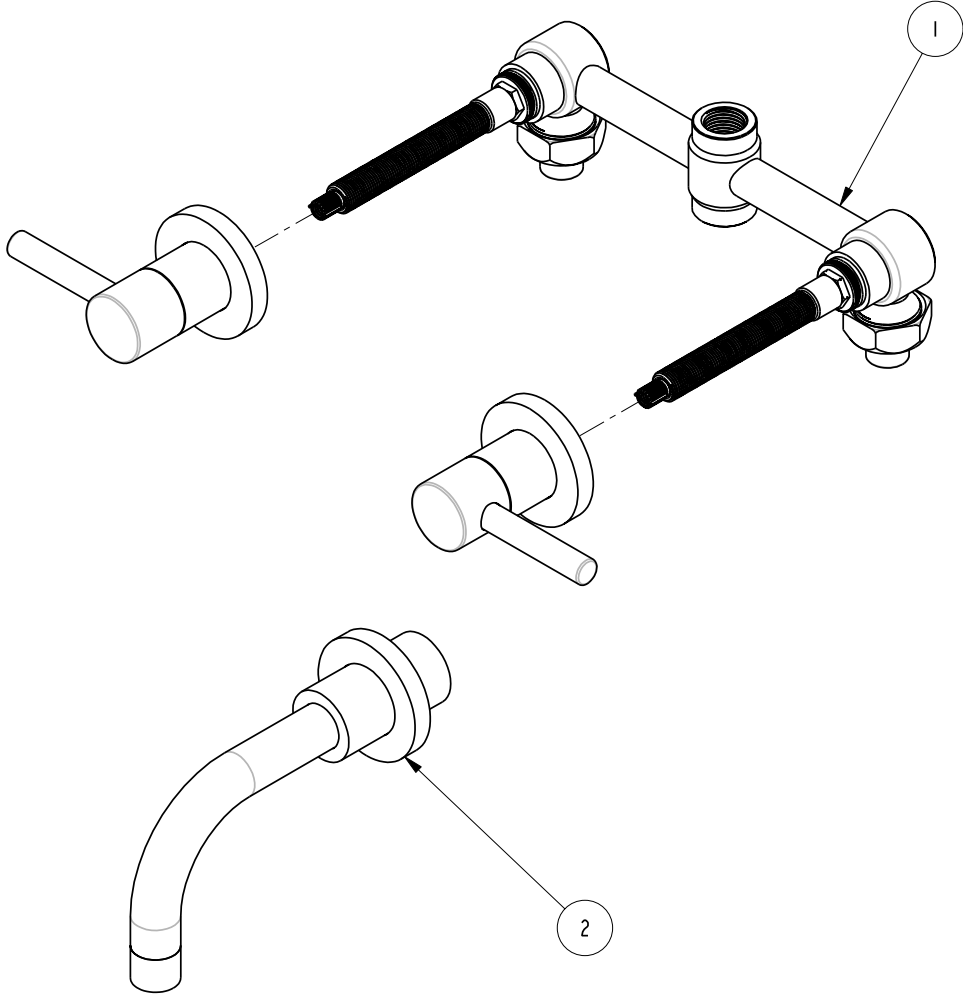
4

3

2

BILL OF MATERIAL (CURRENT LEVEL)

ITEM	PT/ASSY	DESCRIPTION	TYPE	QTY.
1	1-500	T/S 2 - VALVE ROUGH	ASSEMBLY	1
2	3-1505	TRIM KIT - 3-1505	ASSEMBLY	1



SCALE 0.250

NOTE: RECOMMENDED VALVE(S), SHOWN WITH TRIM KIT, SOLD SEPERATELY

COPYRIGHT 2005 BRASSTECH, INC. THESE DRAWINGS AND THE DESIGNS DEPICTED HEREIN ARE THE PROPRIETARY PROPERTY OF BRASSTECH. ANY USE OR REPRODUCTION IS SUBJECT TO THE EXPRESS APPROVAL OF BRASSTECH. UNAUTHORIZED USE IS STRICTLY PROHIBITED. ALL RIGHTS RESERVED.

BRASSTECH
 INCORPORATED
 2001 E. CARNEGIE AVE.
 SANTA ANA, CA 92705
 (949) 417-5207

TUB SET

ASSY. NO.	1505	A	EN-1167	12/19/08
SCALE 0.300	REF. -	SHEET 1 of 3	REV	REV DESC
			DATE	08/14/02

4

3

2

1

4

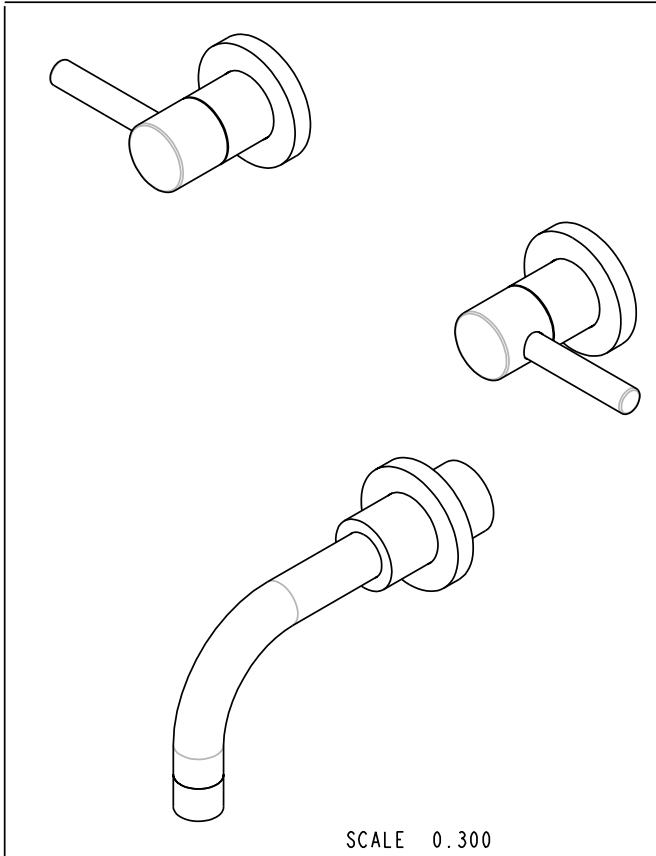
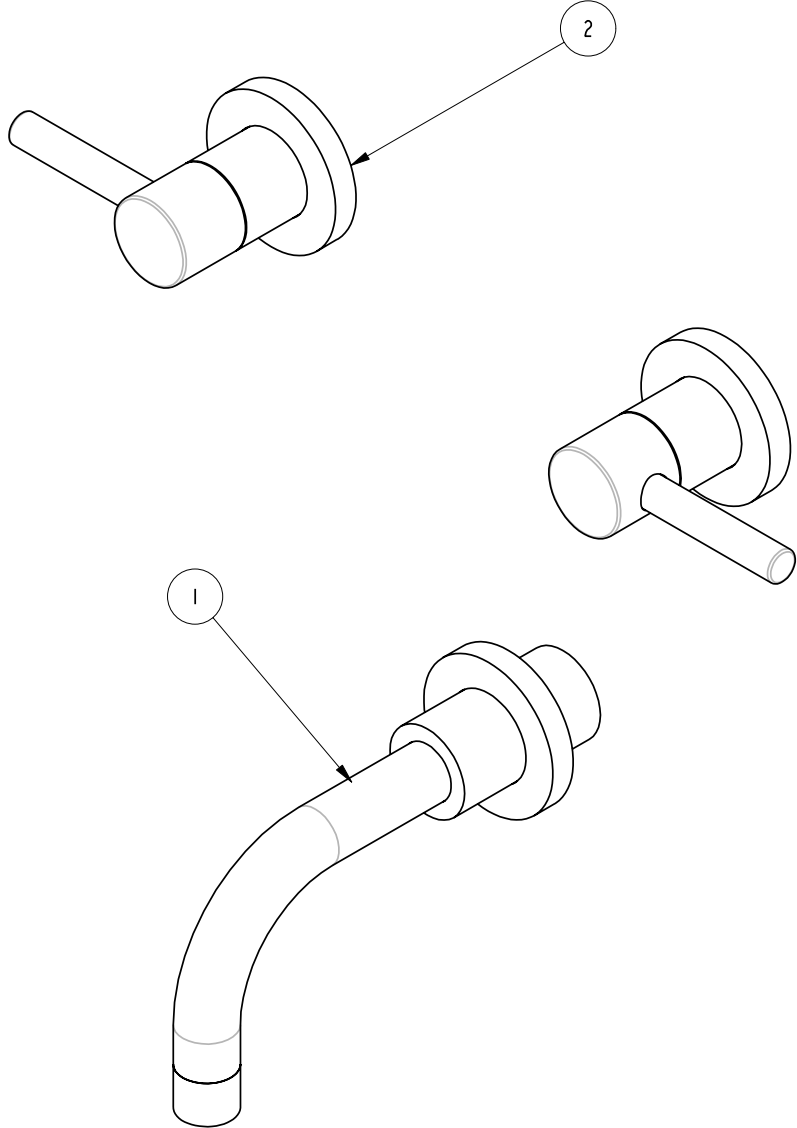
3

2

1

BILL OF MATERIAL (CURRENT LEVEL)

ITEM	PT/ASSY	DESCRIPTION	TYPE	QTY.
1	3-234	WALL TUB SPOUT ASM	ASSEMBLY	1
2	3-255	TRIM KIT - HANDLE / ES	ASSEMBLY	2



D

C

B

A

D

C

B

A

COPYRIGHT 2005 BRASSTECH, INC. THESE DRAWINGS AND THE DESIGNS DEPICTED HEREIN ARE THE PROPRIETARY PROPERTY OF BRASSTECH. ANY USE OR REPRODUCTION IS SUBJECT TO THE EXPRESS APPROVAL OF BRASSTECH. UNAUTHORIZED USE IS STRICTLY PROHIBITED. ALL RIGHTS RESERVED.

BRASSTECH
 INCORPORATED
 2001 E. CARNEGIE AVE.
 SANTA ANA, CA 92705
 (949) 417-5207

TRIM KIT - 3-1505

ASSY. NO.	1505	A	EN-1167	12/19/08
SCALE 0.400	REF. -	-	RELEASED	08/14/02
SHEET 2 OF 3	REV	REV DESC	DATE	

4

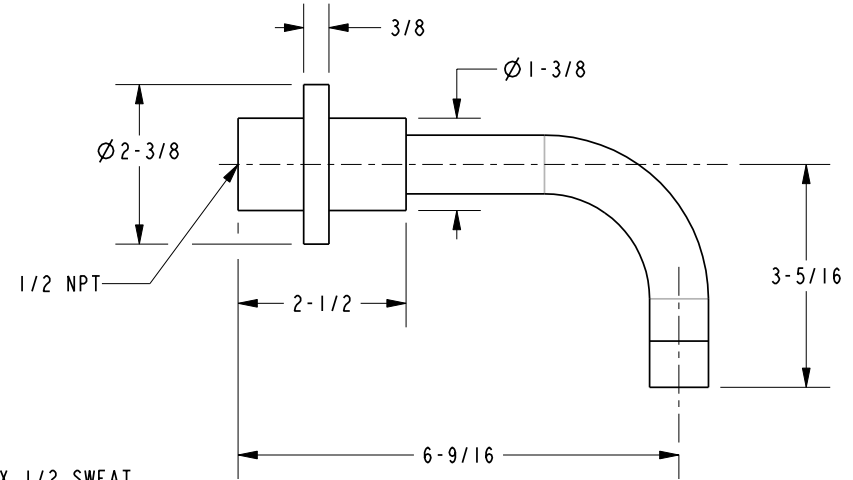
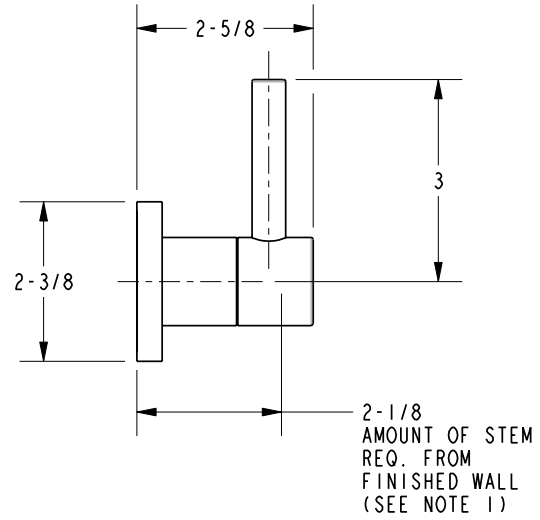
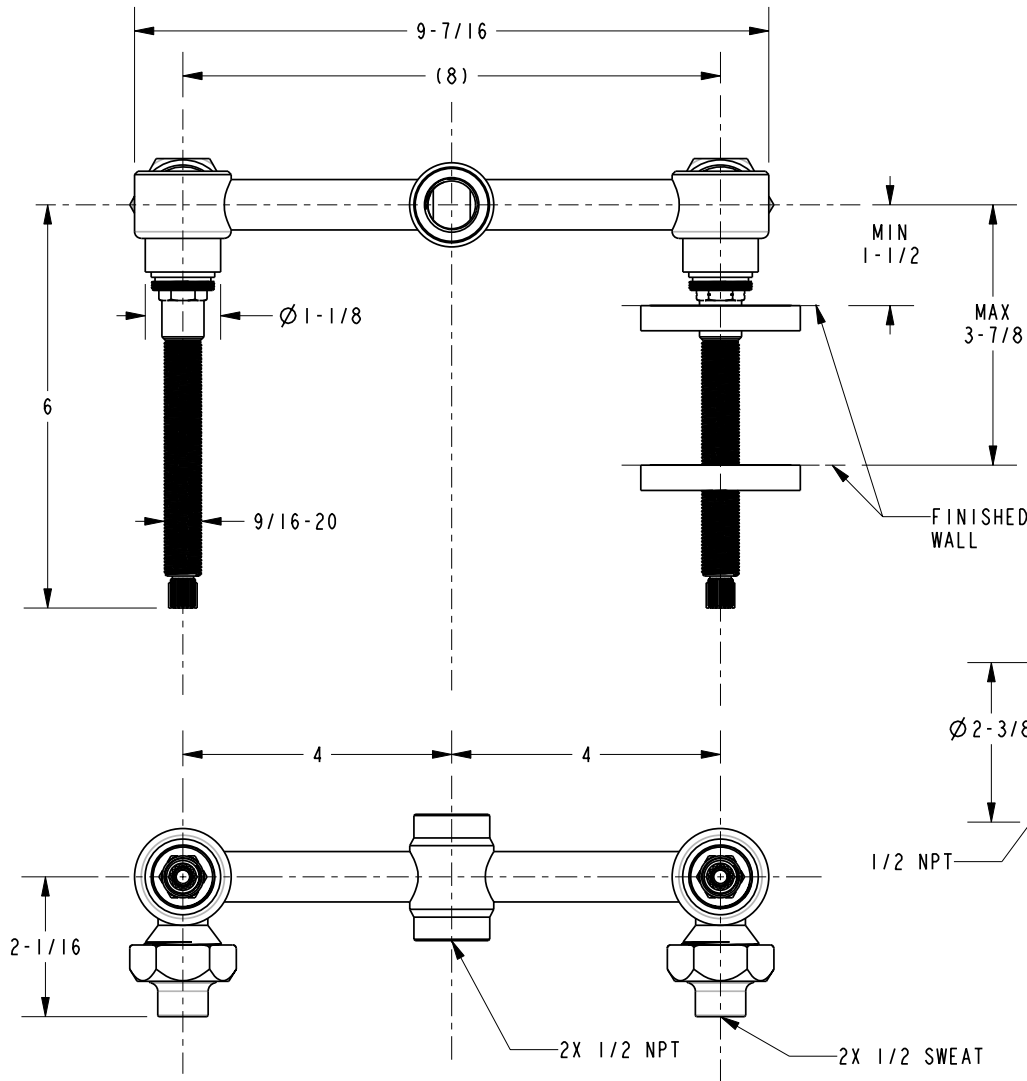
3

2

1

SPECIFICATION DWG

1. CUT ALL - THREAD 1/2" SHORTER THAN STEM



DIMENSIONS ARE IN INCHES AND AN APPROXIMATION OF A TYPICAL INSTALLATION

COPYRIGHT 2005 BRASSTECH, INC. THESE DRAWINGS AND THE DESIGNS DEPICTED HEREIN ARE THE PROPRIETARY PROPERTY OF BRASSTECH. ANY USE OR REPRODUCTION IS SUBJECT TO THE EXPRESS APPROVAL OF BRASSTECH. UNAUTHORIZED USE IS STRICTLY PROHIBITED. ALL RIGHTS RESERVED.

BRASSTECH		2001 E. CARNEGIE AVE. SANTA ANA, CA 92705 (949) 417-5207	
INCORPORATED			
DWG NO.	1505	REV A	
SCALE 0.350	REF. -	SHEET 3 OF 3	