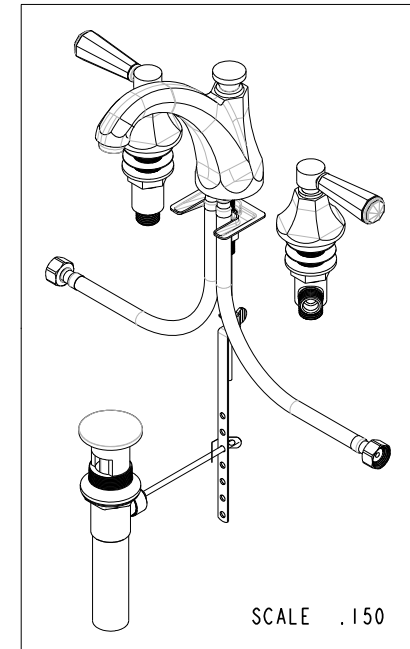
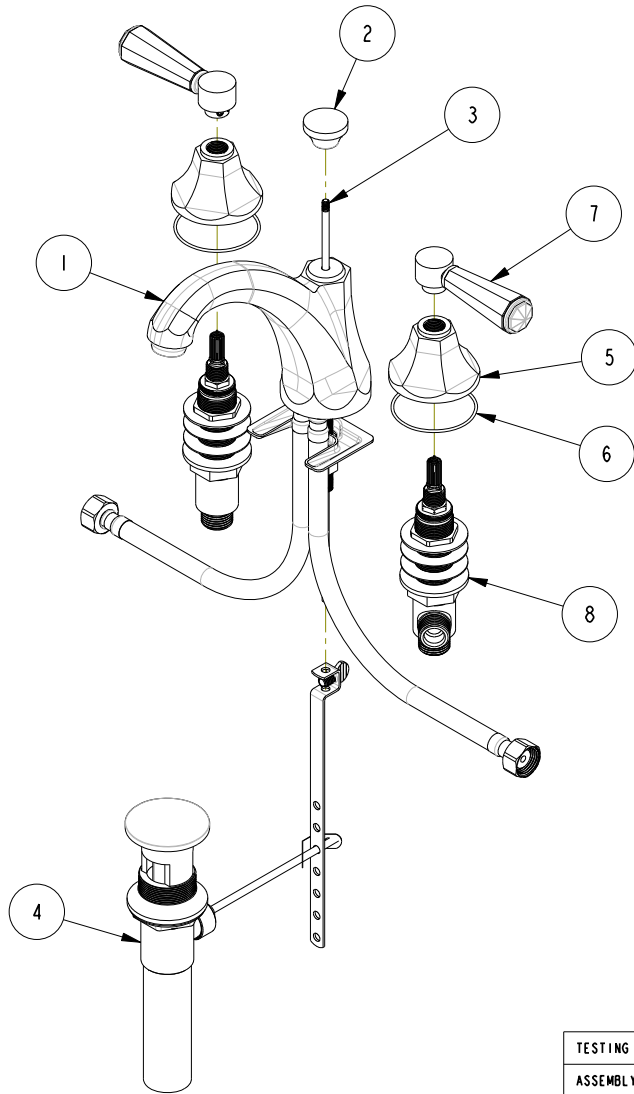


NOTES:

(N1) 1. FIT / FORM / FUNCTION SHALL FOLLOW PS-E.008.

BILL OF MATERIAL (CURRENT LEVEL)

ITEM	PT/ASSY	DESCRIPTION	TYPE	QTY.
1	3-539	SPOUT ASM	ASSEMBLY	1
2	10961	SMOOTH POP - UP KNOB	PART	1
3	10288	3/16" POP UP ROD	PART	1
4	325	POP UP ASSEMBLY	ASSEMBLY	1
5	10960	HEX ESCUTCHEON	PART	2
6	91386	O-RING, #2-034, EPDM, 65-75 DURO	PART	2
7	2-876	CRYSTAL HANDLE LEVER ASM	ASSEMBLY	2
8	1-525	W/S VALVE INSTALLATION	ASSEMBLY	1



ZONE	REV	DESCRIPTION	DATE	APPROVED
-	A	EN-2963	10/22/15	AN
-	-	EN-2894	06/10/15	AN

COPYRIGHT 2005 BRASSTECH, INC. THESE DRAWINGS AND THE DESIGNS DEPICTED HEREIN ARE THE PROPRIETARY PROPERTY OF BRASSTECH. ANY USE OR REPRODUCTION IS SUBJECT TO THE EXPRESS APPROVAL OF BRASSTECH. UNAUTHORIZED USE IS STRICTLY PROHIBITED. ALL RIGHTS RESERVED.

TESTING	-	-	-
ASSEMBLY	-	-	-
PLATING	-	-	-
POLISHING	-	NEXT ASSY	USED ON
MACHINING	-	APPLICATION	
TOOLING FIXTURE #	REMOVE ALL BURRS AND SHARP EDGES		

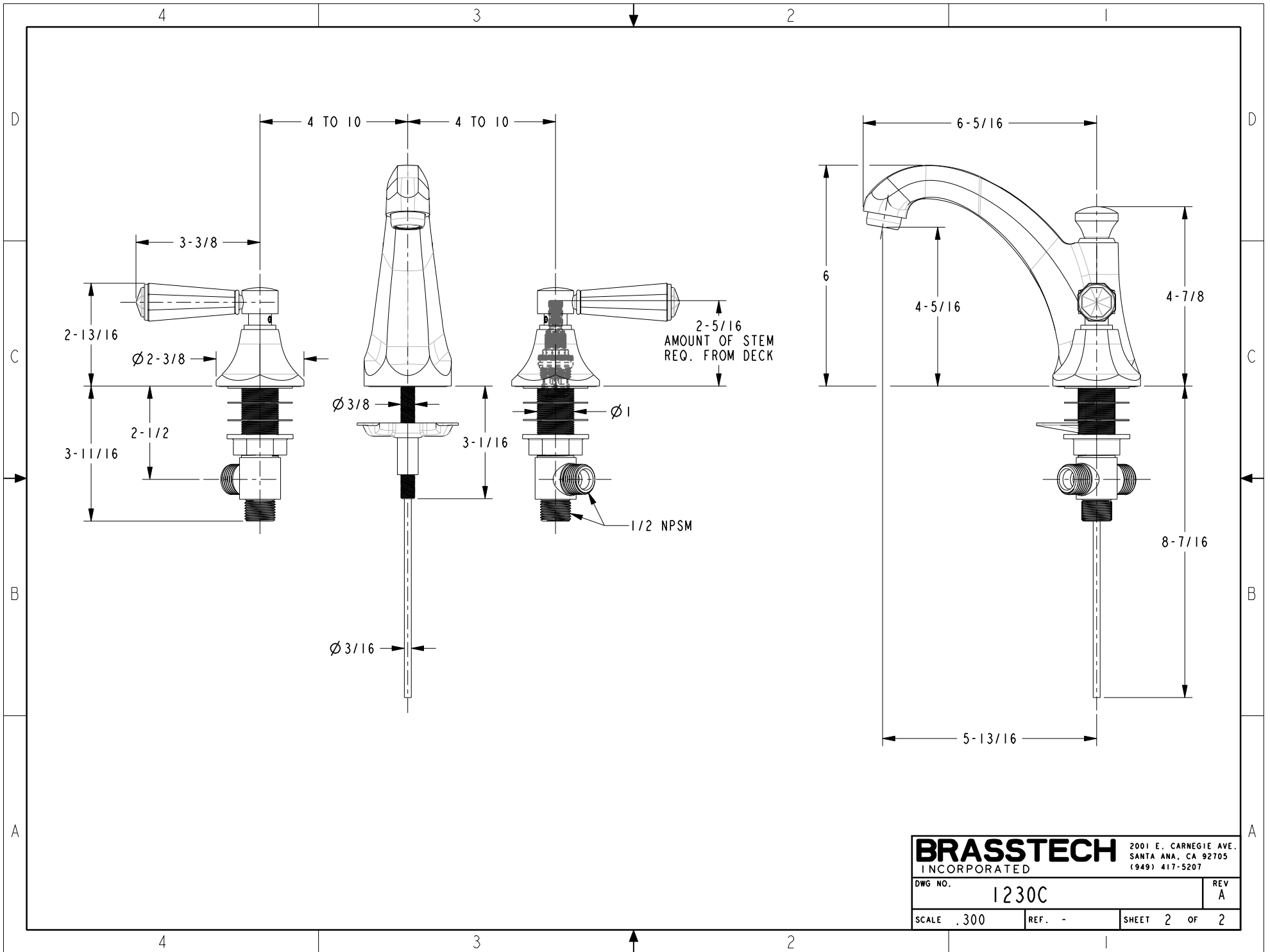
UNITS ARE: INCHES [MM]
TOLERANCES ARE:
FRACTIONS DECIMALS ANGLES
±1/16" .X ±.1 [2.5] ±1°
.XX ±.06 [1.5]

(X.XXX) DENOTES CRITICAL DIMS.
ALL THREADS ARE CRITICAL

BRASSTECH 2001 CARNEGIE AVE.
INCORPORATED SANTA ANA, CA 92705
(949) 417-5207

WIDESPREAD FAUCET

DWG NO.	1230C	REV	A
SCALE	.200	REF.	-
SHEET	1	OF	2



BRASSTECH		2001 E. CARNEGIE AVE. SANTA ANA, CA 92705 (949) 417-5207
DWG NO.	1230C	REV A
SCALE .300	REF. -	SHEET 2 OF 2