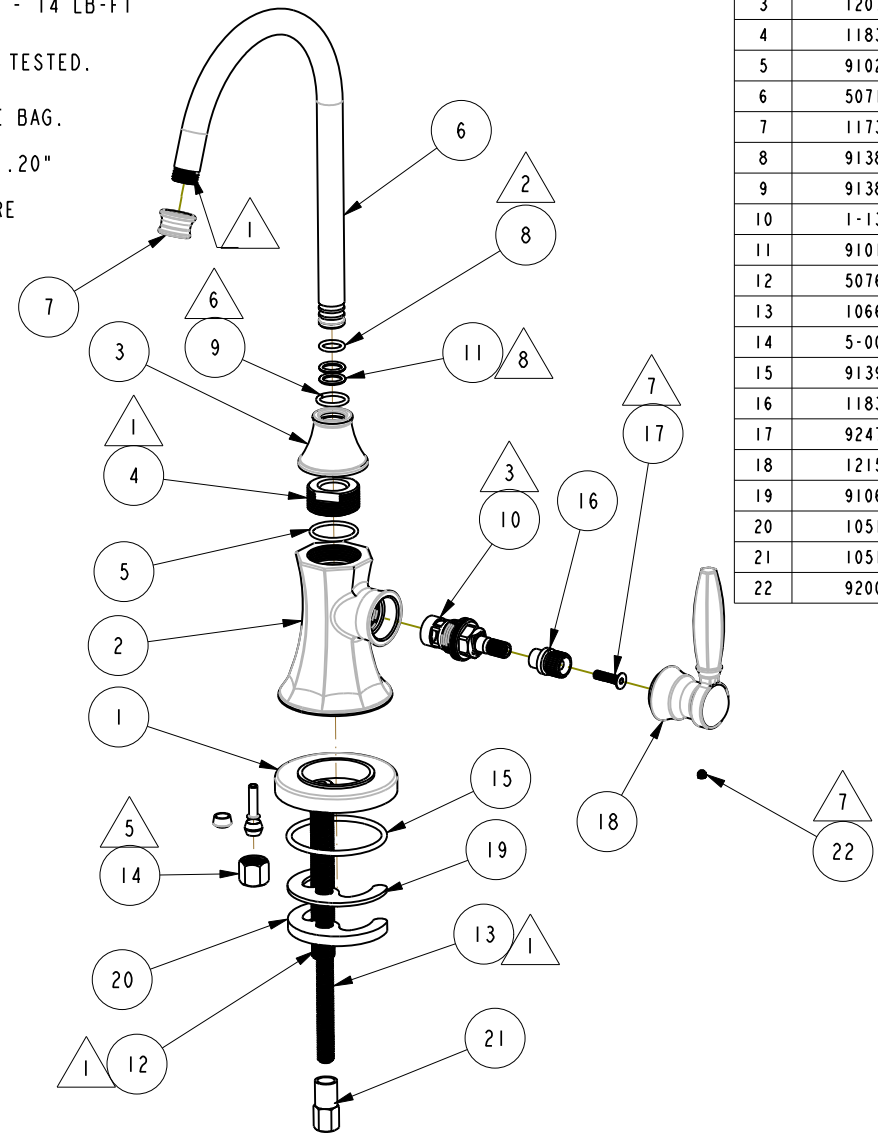
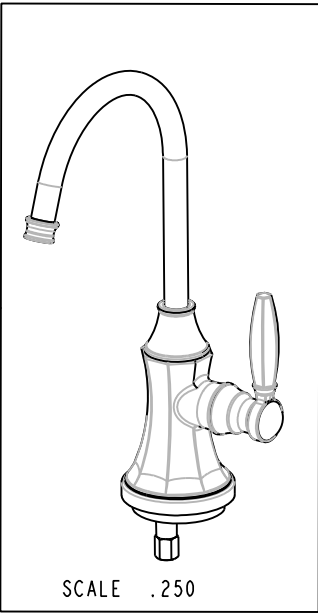


- 1 APPLY LOCTITE 680.
- 2 SLIT O-RING, ITEM 8, BEFORE INSTALLING.
- 3 INSTALLATION TORQUE: 11 - 14 LB-FT
- 4 ASSEMBLY SHALL BE WATER TESTED.
- 5 BAG 5-007 IN A SEPARATE BAG.
- 6 CUT O-RING, ITEM 9, TO .20" (SHORTEN BY .13") BEFORE INSTALLING.
- 7 APPLY LOCTITE 242.
- 8 APPLY THIN FILM OF DOW CORNING 111.



**BILL OF MATERIAL (CURRENT LEVEL)**

| ITEM | PT/ASSY | DESCRIPTION                               | TYPE     | QTY. |
|------|---------|---|----------|------|
| 1    | 12077   | ESCUTCHEON                                | PART     | 1    |
| 2    | 12080   | WATER DISPENSER BODY, COLD                | PART     | 1    |
| 3    | 12076   | WATER DISPENSER BODY CAP                  | PART     | 1    |
| 4    | 11836   | RETAINING RING                            | PART     | 1    |
| 5    | 91023   | O-RING, #2- 019, EPDM, 65-75 DURO, NSF 61 | PART     | 1    |
| 6    | 50713   | SPOUT, WATER DISP. (TRAD.)                | PART     | 1    |
| 7    | 11733   | SHELL, SPOUT, WATER DISP                  | PART     | 1    |
| 8    | 91382   | O-RING, #2- 012, TEFLON,                  | PART     | 1    |
| 9    | 91383   | O-RING, #2- 014, TEFLON, NSF 61           | PART     | 1    |
| 10   | 1-134   | CARTR 3/8 HOT 1/4 TR                      | PART     | 1    |
| 11   | 91017   | O-RING, #2- 012, EPDM, 65-75 DURO, NSF 61 | PART     | 2    |
| 12   | 50760   | NIPPLE WATER DISP                         | PART     | 1    |
| 13   | 10661   | MOUNTING STUD                             | PART     | 1    |
| 14   | 5-007   | 1/4 COMP KIT                              | ASSEMBLY | 1    |
| 15   | 91394   | O-RING, #2-132, EPDM, 65-75 DURO          | PART     | 1    |
| 16   | 11833   | ADAPTER                                   | PART     | 1    |
| 17   | 92477   | SCRW, M4 X 16 SKT FLT HD SS               | PART     | 1    |
| 18   | 12151   | HANDLE                                    | PART     | 1    |
| 19   | 91063   | MOUNTING CRESCENT GASKET                  | PART     | 1    |
| 20   | 10514   | MOUNTING CRESCENT                         | PART     | 1    |
| 21   | 10516   | MOUNTING NUT                              | PART     | 1    |
| 22   | 92000   | SCRW, 8-32 X 1/8 SKT HD CUP PT SS         | PART     | 1    |

COPYRIGHT 2005 BRASSTECH, INC. THESE DRAWINGS AND THE DESIGNS DEPICTED HEREIN ARE THE PROPRIETARY PROPERTY OF BRASSTECH. ANY USE OR REPRODUCTION IS SUBJECT TO THE EXPRESS APPROVAL OF BRASSTECH. UNAUTHORIZED USE IS STRICTLY PROHIBITED. ALL RIGHTS RESERVED.

**BRASSTECH**  
INCORPORATED  
2001 E. CARNEGIE AVE.  
SANTA ANA, CA 92705  
(949) 417-5207

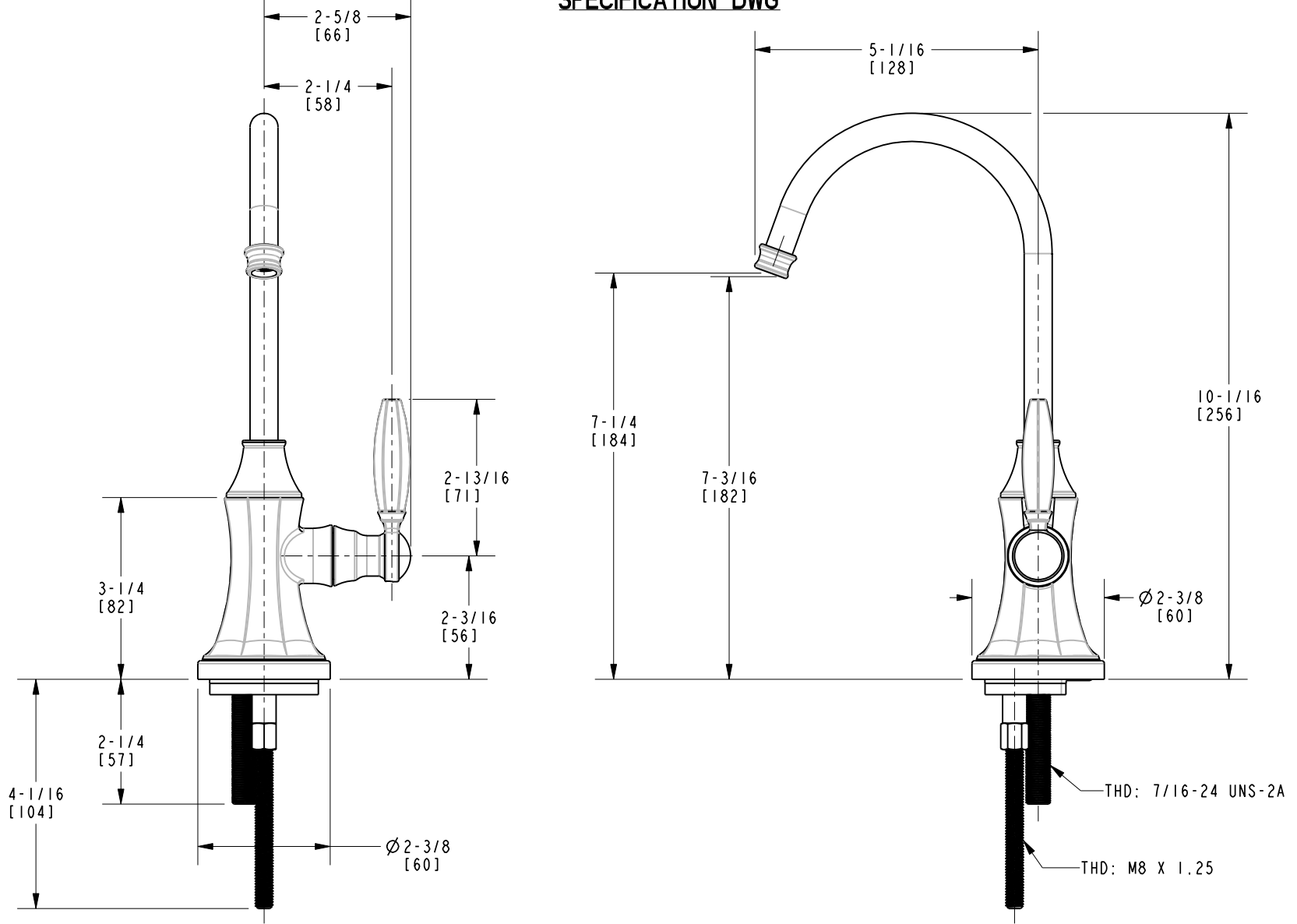
METROPOLE COLD WATER DISPENSER

ASSY. NO. 1200-5623

SCALE .280 REF. - SHEET 1 OF 2

|     |          |          |
|-----|----------|----------|
| C   | EN-2547  | 06/07/13 |
| B   | EN-2412  | 01/11/13 |
| A   | EN-2319  | 10/16/12 |
| -   | EN-2289  | 06/12/12 |
| REV | REV DESC | DATE     |

SPECIFICATION DWG



DIMENSIONS ARE IN INCHES AND AN APPROXIMATION OF A TYPICAL INSTALLATION

COPYRIGHT 2005 BRASSTECH, INC. THESE DRAWINGS AND THE DESIGNS DEPICTED HEREIN ARE THE PROPRIETARY PROPERTY OF BRASSTECH. ANY USE OR REPRODUCTION IS SUBJECT TO THE EXPRESS APPROVAL OF BRASSTECH. UNAUTHORIZED USE IS STRICTLY PROHIBITED. ALL RIGHTS RESERVED.

|                   |        |   |  |
|-------------------|--------|---|--|
| <b>BRASSTECH</b>  |        | 2001 CARNEGIE AVE.<br>SANTA ANA, CA 92705<br>(949) 417-5207 |  |
| INCORPORATED      |        |   |  |
| DWG NO. 1200-5623 |        | REV C   |  |
| SCALE .375        | REF. - | SHEET 2 OF 2  |  |