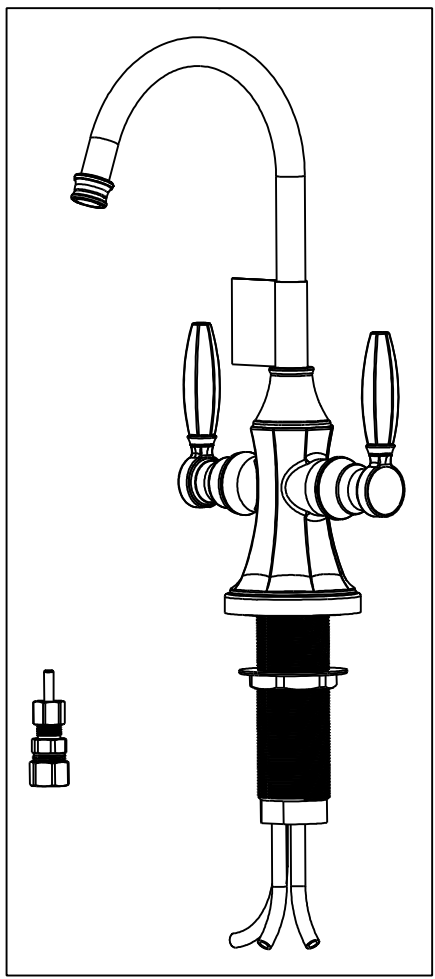


4 3 2 1

NOTES:

- (N1) 1. FIT / FORM / FUNCTION SHALL FOLLOW PS-E.008.
- 2 APPLY LOCTITE 680.
- 3 CUT O-RING, ITEM 21, TO .20" (SHORTEN BY .13') BEFORE INSTALLING.
- 4 SLIT O-RING, ITEM 19, BEFORE INSTALLING.
- 5 INSTALLATION TORQUE: 8-14 LB-FT.
- (N6) 6. ASSEMBLY SHALL BE WATER TESTED.
- 7 PLACE ITEM 18, 5-035, IN A SEPARATE BAG.
- 8 INSTALLATION TORQUE: 30 LB-FT.
- 9 LUBRICATE SPRING WITH DOW III.
- (N10) 10 REWORK CARTRIDGE ASSY IF THE HANDLE DOES NOT RETURN TO THE "OFF" POSITION AUTOMATICALLY AFTER WATER TESTING.
- 11 APPLY LOCTITE 242.
- 12 APPLY THIN FILM OF DOW CORNING III.



BILL OF MATERIAL (CURRENT LEVEL)

ITEM	PT/ASSY	DESCRIPTION	TYPE	QTY.
1	12282	WATER DISPENSER BODY, HOT & COLD	PART	1
2	11836	RETAINING RING	PART	1
3	12076	WATER DISPENSER BODY CAP	PART	1
4	50713	SPOUT, WATER DISP. (TRAD.)	PART	1
5	12077	ESCUTCHEON	PART	1
6	11733	SHELL, SPOUT, WATER DISP	PART	1
7	50768	RETAINER PLATE	PART	1
8	50770	NIPPLE	PART	1
9	91394	O-RING, #2-132, EPDM, 65-75 DURO	PART	1
10	92016	SCRW, 10-24 X 3/4 SKT HD FLT PT SS	PART	2
11	50068	INSERT, HOSE	PART	3
12	50066	COMPRESSION RING, 1/2	PART	3
13	91100	O-RING, #2-006, EPDM, 65-75 DURO	PART	3
14	91376	TUBE, RED, .250 OD X 4 FT	PART	1
15	91377	TUBE, BLUE, .250 OD X 4 FT	PART	1
16	91378	TUBE, HIGH TEMP, .250 OD X 4 FT	PART	1
17	10174	NUT, QUICK CONNECT	PART	1
18	5-035	COUPLING & INSERT ASM	ASSEMBLY	1
19	91382	O-RING, #2- 012, TEFLON,	PART	1
20	91017	O-RING, #2- 012, EPDM, 65-75 DURO, NSF 61	PART	2
21	91383	O-RING, #2- 014, TEFLON, NSF 61	PART	1
22	98043	TAG LABEL, HOT WATER WARNING	PART	1
23	91023	O-RING, #2- 019, EPDM, 65-75 DURO, NSF 61	PART	1
24	5-061	ADAPTER/CARTRIDGE ASSY	ASSEMBLY	1
25	12151	HANDLE	PART	2
26	92000	SCREW 8 - 32 X 1/8 SS	PART	2
27	1-134	CARTR 3/8 HOT 1/4 TR	PART	1
28	11834	ADAPTER	PART	1
29	92477	SCRW, M4 X 16 SKT FLT HD SS	PART	1

B

A

TESTING	ASSEMBLY	PLATING	POLISHING	MACHINING	TOOLING FIXTURE #
-	-	-	-	-	-
-	-	-	-	-	-
-	-	-	NEXT ASSY	USED ON	-
-	-	-	-	APPLICATION	-
-	-	-	-	REMOVE ALL BURRS AND SHARP EDGES	-

UNITS ARE: INCHES [MM]
TOLERANCES ARE:
FRACTIONS DECIMALS ANGLES
±1/16" .X ±.1 [2.5] ±1°
.XX ±.06 [1.5]

(X.XXX) DENOTES CRITICAL DIMS.
ALL THREADS ARE CRITICAL

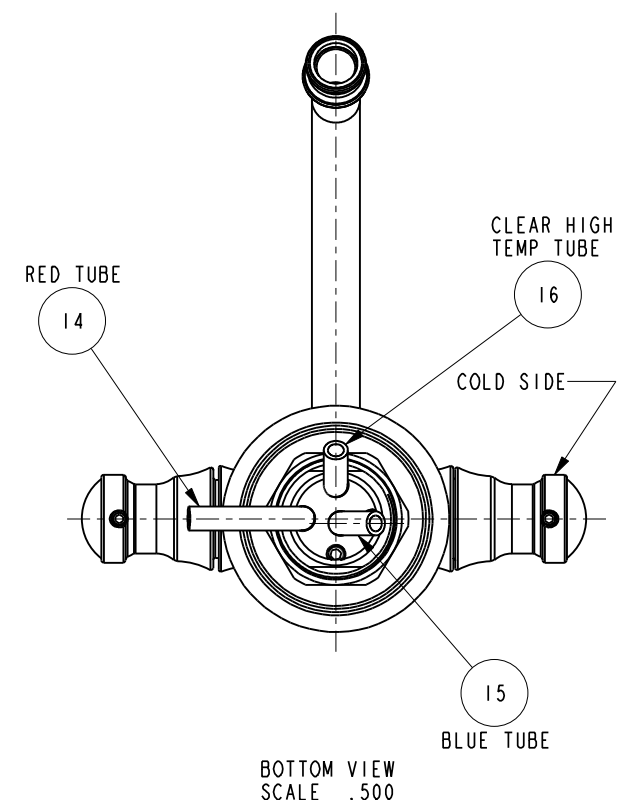
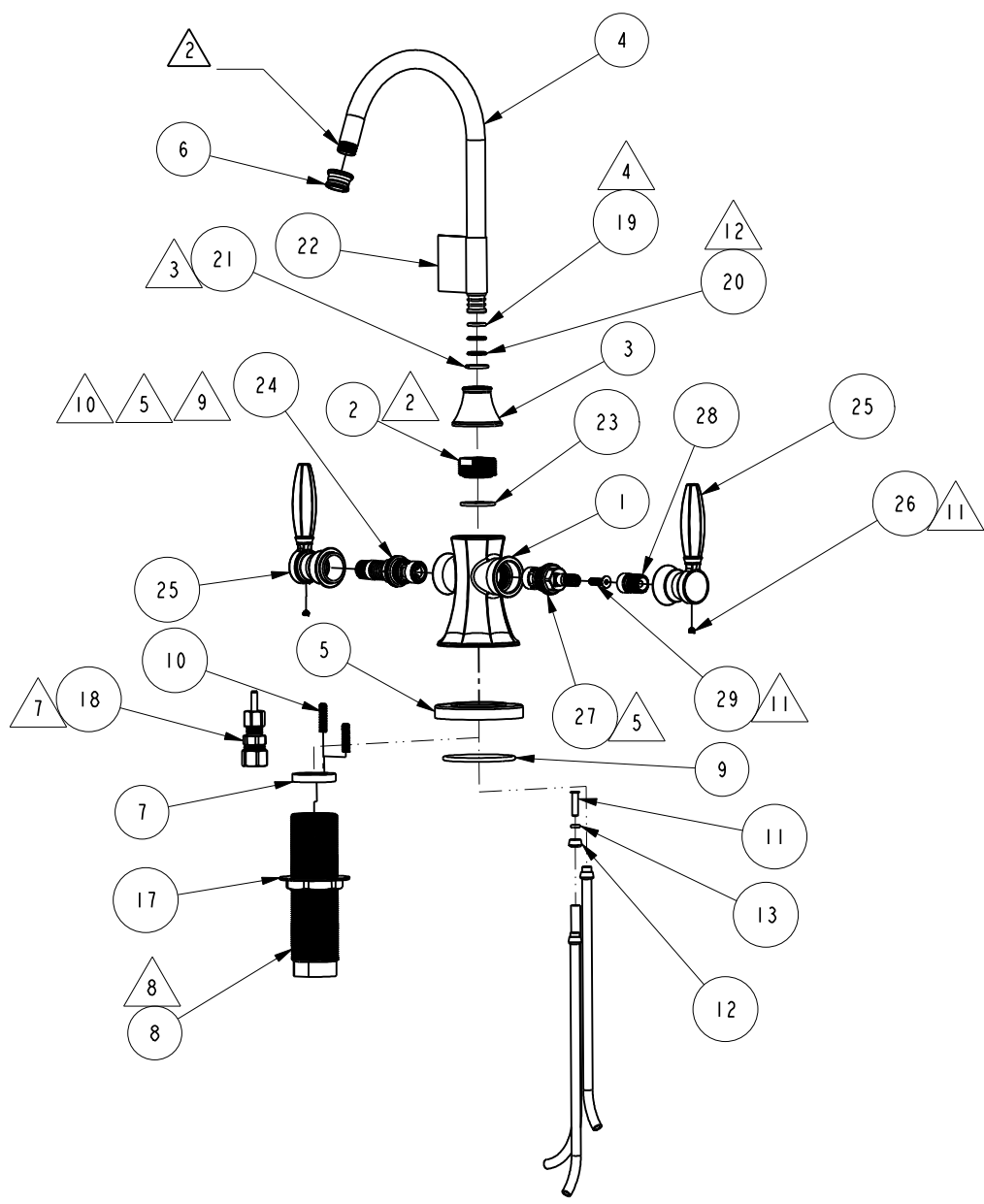
DRAWN	RAVINDRA	02/12/16
CHECKED	JINSON	02/12/16
APPROVED	N.SANTOS	02/12/16

BRASSTECH 2001 CARNEGIE AVE.
INCORPORATED SANTA ANA, CA 92705
(949) 417-5207

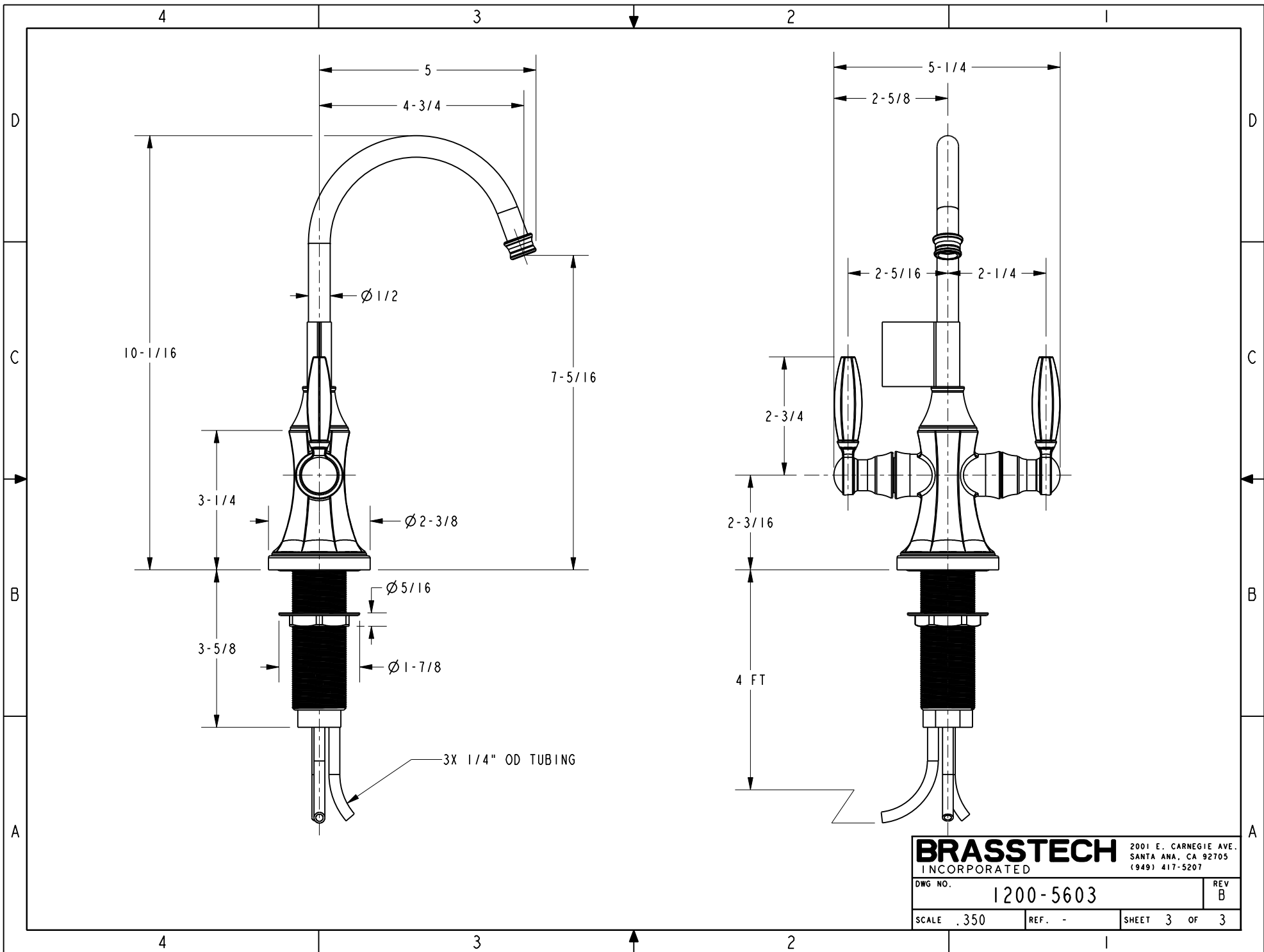
METROPOLE HOT & COLD
WATER DISPENSER

DWG NO.	1200-5603	REV	B
SCALE	.300	REF.	-
SHEET	1	OF	3

4 3 2 1



BRASSTECH		2001 E. CARNEGIE AVE. SANTA ANA, CA 92705 (949) 417-5207	
DWG NO.	1200-5603	REV	B
SCALE .200	REF. -	SHEET 2	OF 3



BRASSTECH		2001 E. CARNEGIE AVE. SANTA ANA, CA 92705 (949) 417-5207	
DWG NO.	1200-5603	REV	B
SCALE .350	REF. -	SHEET 3	OF 3