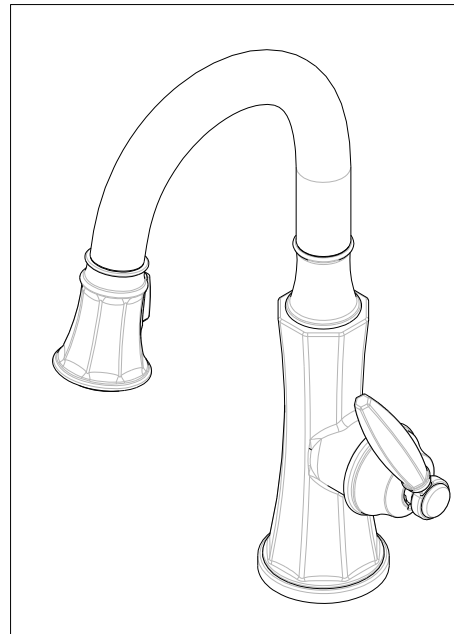


NOTES:

- (NI) 1. FIT / FORM / FUNCTION SHALL FOLLOW PS-E.008.
- 2. PUT THESE ITEMS IN SEPARATE PLASTIC BAGS.
- 3. TORQUE TO 7.5-8.5 LB-FT.
- 4. APPLY THIN COAT OF SILICON GREASE FOR ALL O-RINGS BEFORE INSTALLATION.
- 5. APPLY LOCTITE 242, IF SCREW DOES NOT HAVE NYLON PATCH.
- 6. APPLY LOCTITE 680.



BILL OF MATERIAL (CURRENT LEVEL)

ITEM	PT/ASSY	DESCRIPTION	TYPE	QTY.
1	2-849	MAIN BODY ASM, METROPOLE	ASSEMBLY	1
2	91712	SLEEVE	PART	1
3	12494	SPOUT	PART	1
4	91544	MAGNET DOCKING	ASSEMBLY	1
5	11877	HOSE, PULLDOWN SWIVEL	ASSEMBLY	1
6	3-443	SPRAY HEAD, METROPOLE	ASSEMBLY	1
7	1-064	SINGLE LEVER CARTRIDGE	PART	1
8	1-266	CART. RETAINER ASM	ASSEMBLY	1
9	91534	CARTRIDGE STEM INSERT	PART	1
10	12836	HANDLE HUB	PART	1
11	12055	HANDLE, LEVER	PART	1
12	92035	SCRW, M4 X .7 X 10 PHL FLT HD SS	PART	1
13	2-852	CAP ASM	ASSEMBLY	1
14	2-850	BASE RING ASM	ASSEMBLY	1
15	1-256	MOUNTING KIT	ASSEMBLY	1
16	91255	O-RING, #2- 011, EPDM, 65-75 DURO, NSF-61	PART	2
17	91568	RETAINER CLIP	PART	1
18	91341	ZIP TIE	PART	1
19	98044	LABEL - HOT	PART	1
20	1-286	WEIGHT ASM	ASSEMBLY	1
21	12753	SPOUT ADAPTER	PART	1
22	91030	O-RING, #2- 115, EPDM, 65-75 DURO, NSF 61	PART	4

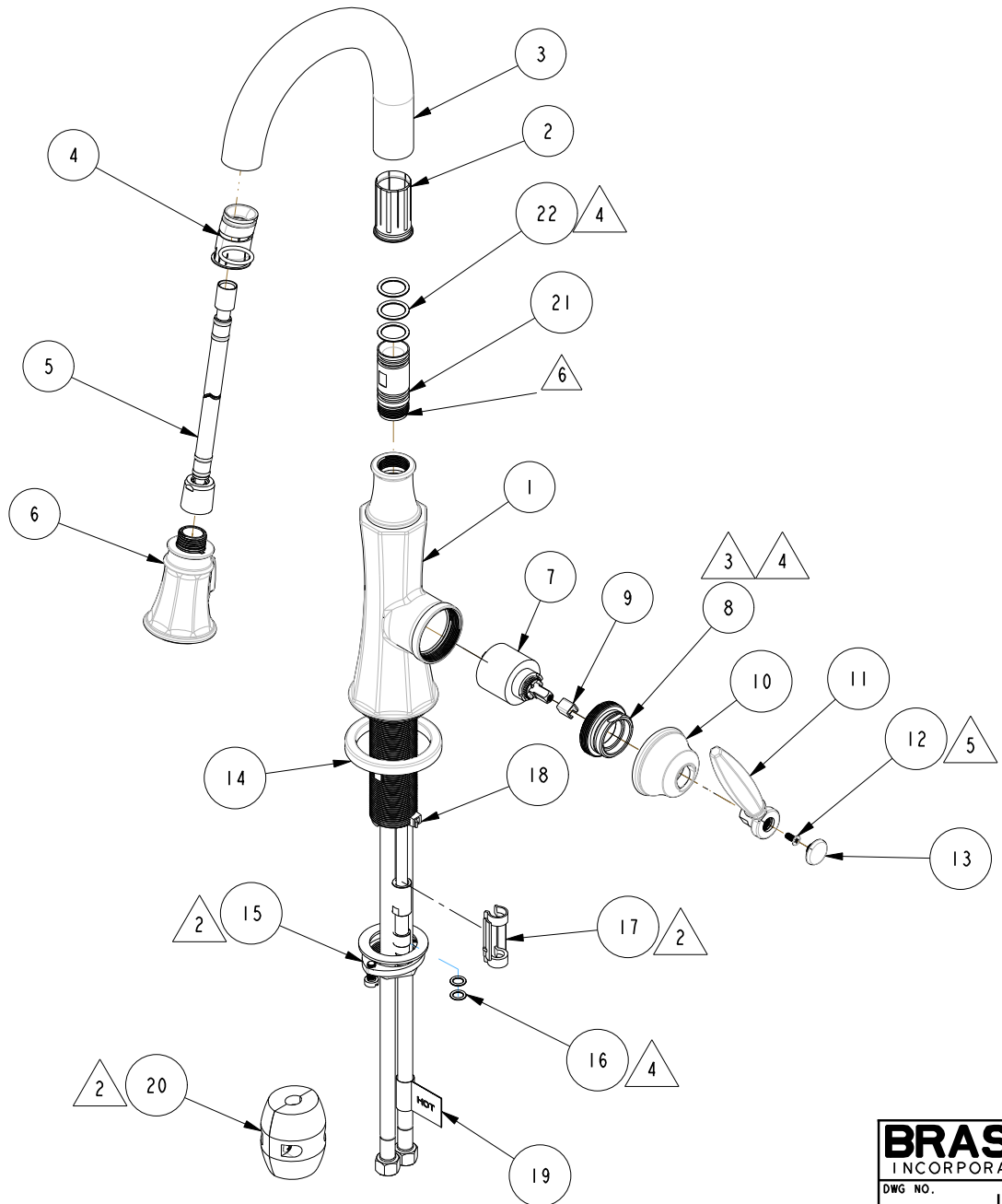
-	F	EN-3413d	02/20/18	JM
-	E	EN-3034L	09/08/17	J.A.
-	D	EN-3034F	4/19/17	J.A.
-	C	EN-3034	04/13/17	J.A.
-	B	EN-2500	04/22/13	-
-	A	EN-2443a	04/18/13	-
-	-	EN-2079	05/02/12	-
ZONE	REV	DESCRIPTION	DATE	APPROVED

COPYRIGHT 2005 BRASSTECH, INC. THESE DRAWINGS AND THE DESIGNS DEPICTED HEREIN ARE THE PROPRIETARY PROPERTY OF BRASSTECH. ANY USE OR REPRODUCTION IS SUBJECT TO THE EXPRESS APPROVAL OF BRASSTECH. UNAUTHORIZED USE IS STRICTLY PROHIBITED. ALL RIGHTS RESERVED.

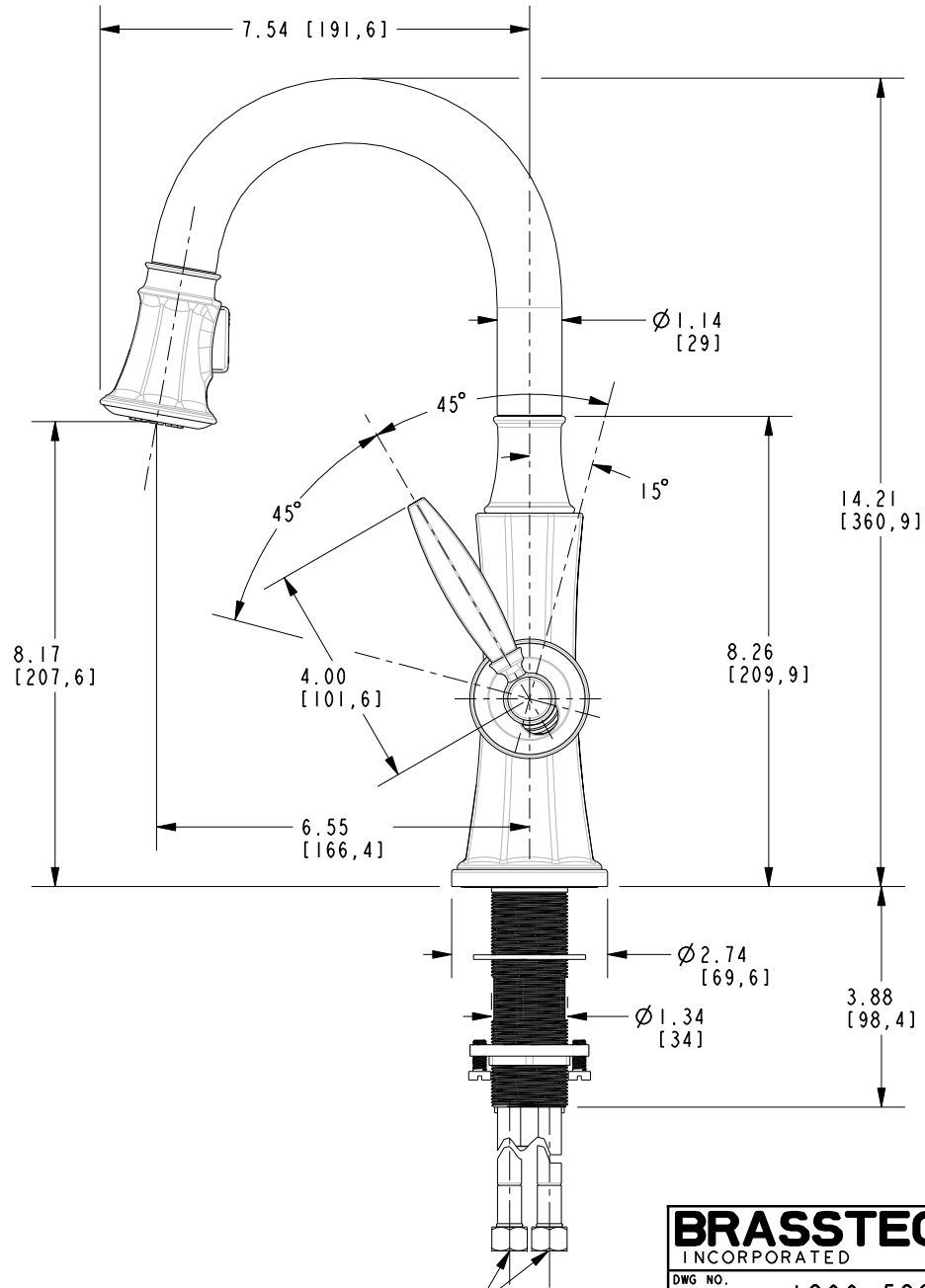
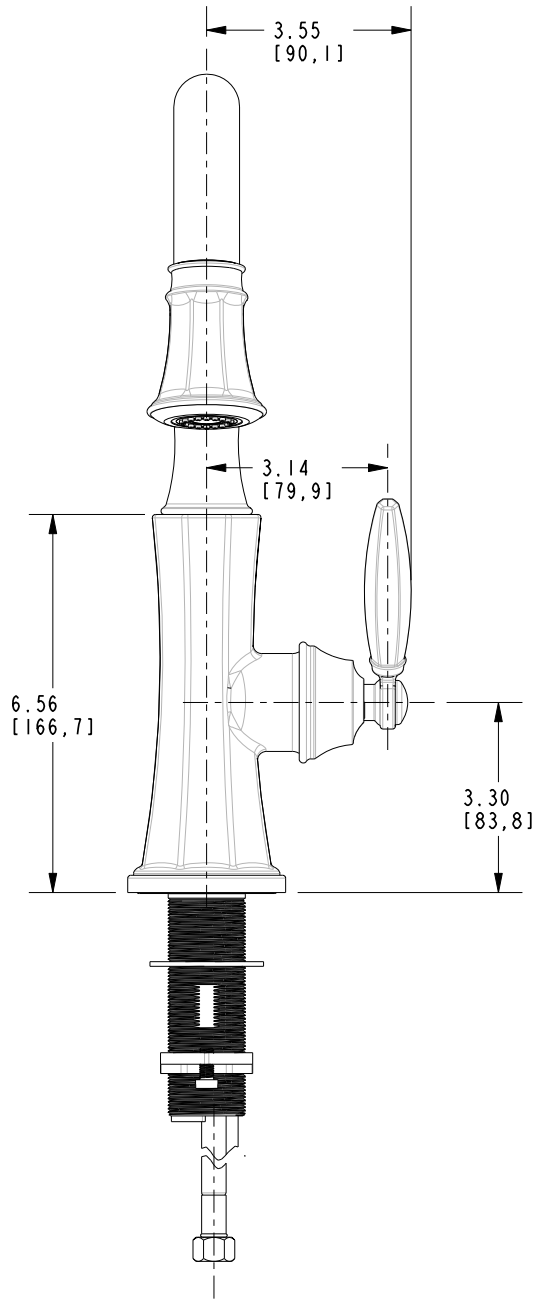
TESTING	-	-	-
ASSEMBLY	-	-	-
PLATING	-	-	-
POLISHING	-	NEXT ASSY	USED ON
MACHINING	-	APPLICATION	
TOOLING FIXTURE #	REMOVE ALL BURRS AND SHARP EDGES		

UNITS ARE: INCHES [MM]			
TOLERANCES ARE:			
FRACTIONS	DECIMALS	ANGLES	
±1/16"	.X ±.1 (2,5)	±1°	
	.XX ±.06 (1,5)		
(X.XXX) DENOTES CRITICAL DIMS. ALL THREADS ARE CRITICAL			
DRAWN	JINSON	02/02/18	
CHECKED	A.N.	02/02/18	
APPROVED	A.N.	02/02/18	

BRASSTECH		2001 CARNEGIE AVE. SANTA ANA, CA 92705 (949) 417-5207	
INCORPORATED			
METROPOLE PULL DOWN - KITCHEN FAUCET			
DWG NO.	1200-5223		REV F
SCALE	.250	REF.	-
SHEET	1	OF	3



BRASSTECH		2001 E. CARNEGIE AVE. SANTA ANA, CA 92705 (949) 417-5207	
DWG NO.	1200-5223	REV	F
SCALE	.200	REF.	-
		SHEET	2 OF 3



3/8" O.D. COMPRESSION
(9/16-24 UNEF THREAD)

BRASSTECH		2001 E. CARNEGIE AVE. SANTA ANA, CA 92705 (949) 417-5207	
DWG NO.	1200-5223	REV	F
SCALE	.300	REF.	-
		SHEET	3 OF 3