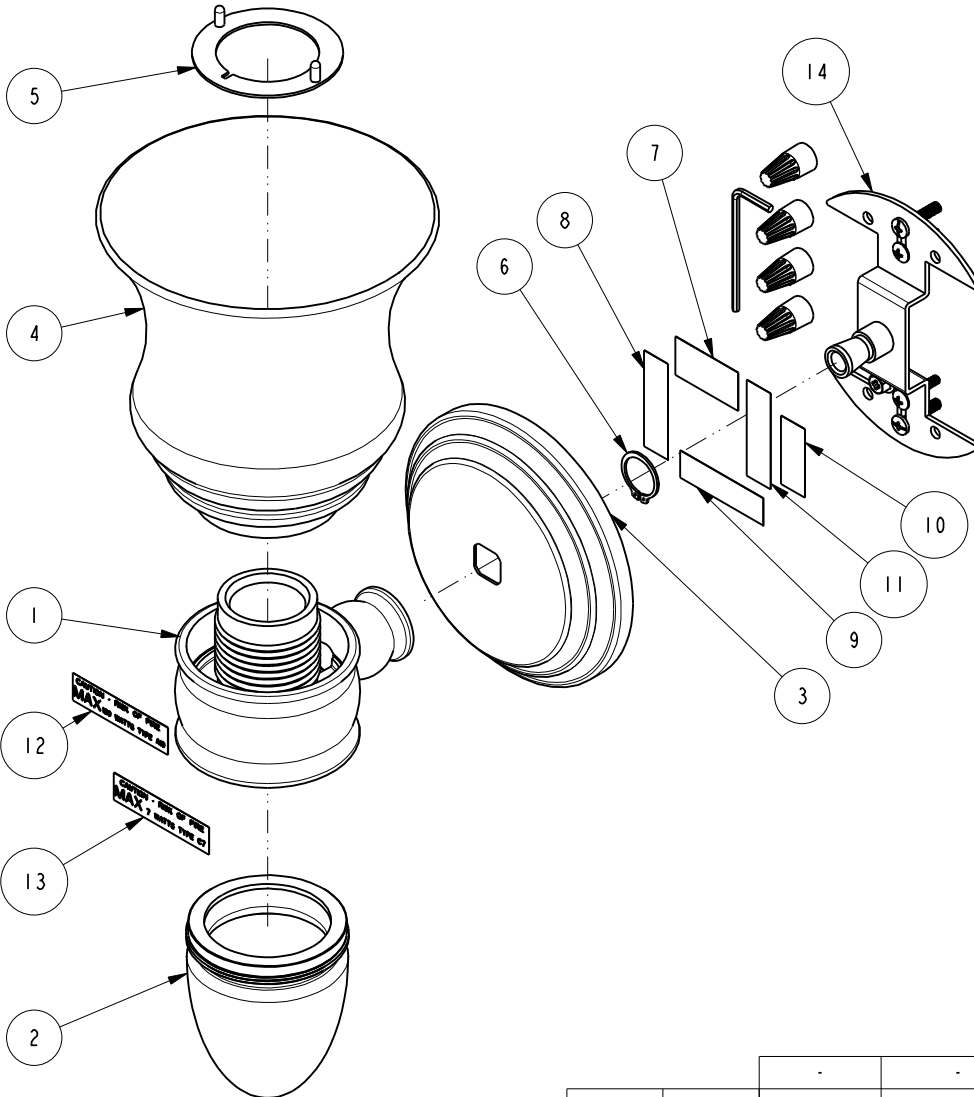


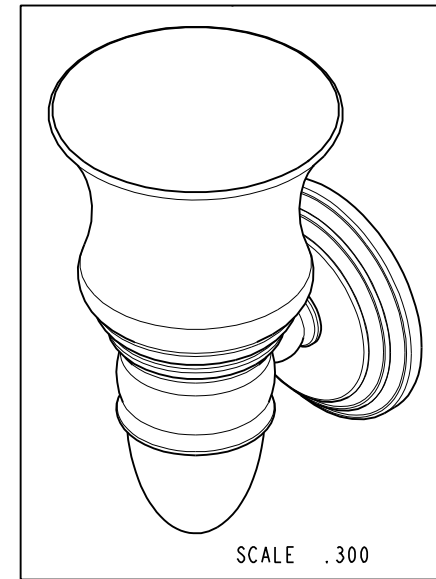
NOTES:

(N1) 1. FIT / FORM / FUNCTION SHALL FOLLOW PS-E.008.



BILL OF MATERIAL (CURRENT LEVEL)

ITEM	PT/ASSY	DESCRIPTION	TYPE	QTY.
1	1181-BAW	BODY ASSEMBLY WIRED	ASSEMBLY	1
2	1181-BG-E	REPLACEMENT BOTTOM GLASS SHADE SATIN ETCHED	ASSEMBLY	1
3	1181-RB	CHELSEA BASE	PART	1
4	1181-TG-E	SATIN ETCHED CLEAR GLASS SHADE	PART	1
5	9395	STEEL RING	PART	1
6	92318	SNAP RING, 17MM X 1MM STEEL EXTERNAL	PART	1
7	98006	LABEL, UL LISTED	PART	1
8	98012	LABEL, WALL MOUNT ONLY	PART	1
9	98069	LABEL, PNXXX, SUITABLE FOR DAMP LOCATIONS	PART	1
10	98079	LABEL, MONTH YEAR E222146	PART	1
11	98088	LABEL, MIN 75 C SUPPLY CONDUCTORS	PART	1
12	98101	LABEL, 100 WATTS MAX	PART	1
13	98110	LABEL, 7 WATTS MAX	PART	1
14	CB-002	LIGHT MOUNTING PACK	ASSEMBLY	1



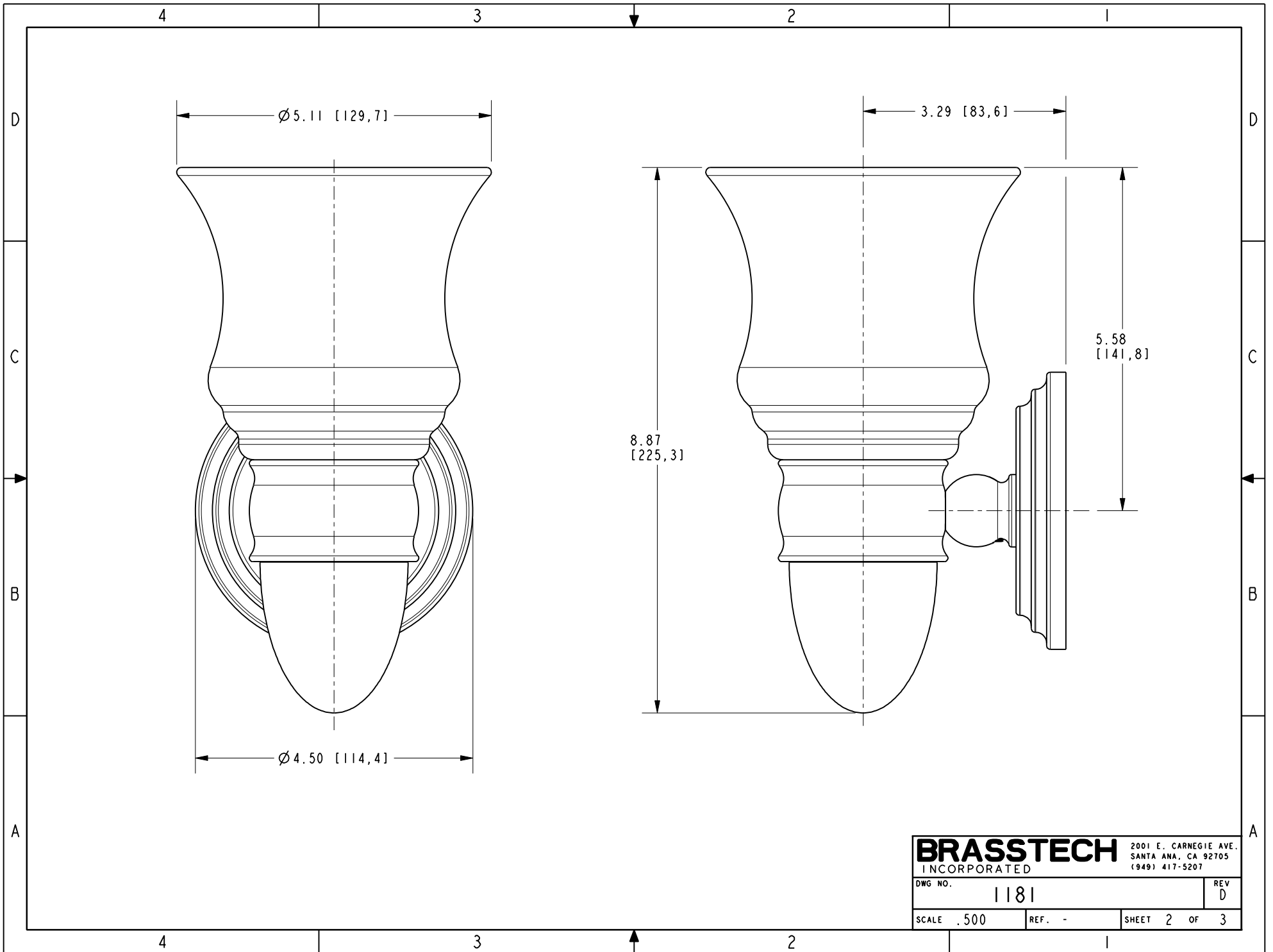
ZONE	REV	DESCRIPTION	DATE	APPROVED
-	D	EN-3127	08/29/16	R.S
-	C	EN-2884	04/20/15	J.M.
-	B	EN-2461B	02/22/13	-
-	A	EN-1008	10/09/09	-

COPYRIGHT 2005 BRASSTECH, INC. THESE DRAWINGS AND THE DESIGNS DEPICTED HEREIN ARE THE PROPRIETARY PROPERTY OF BRASSTECH. ANY USE OR REPRODUCTION IS SUBJECT TO THE EXPRESS APPROVAL OF BRASSTECH. UNAUTHORIZED USE IS STRICTLY PROHIBITED. ALL RIGHTS RESERVED.

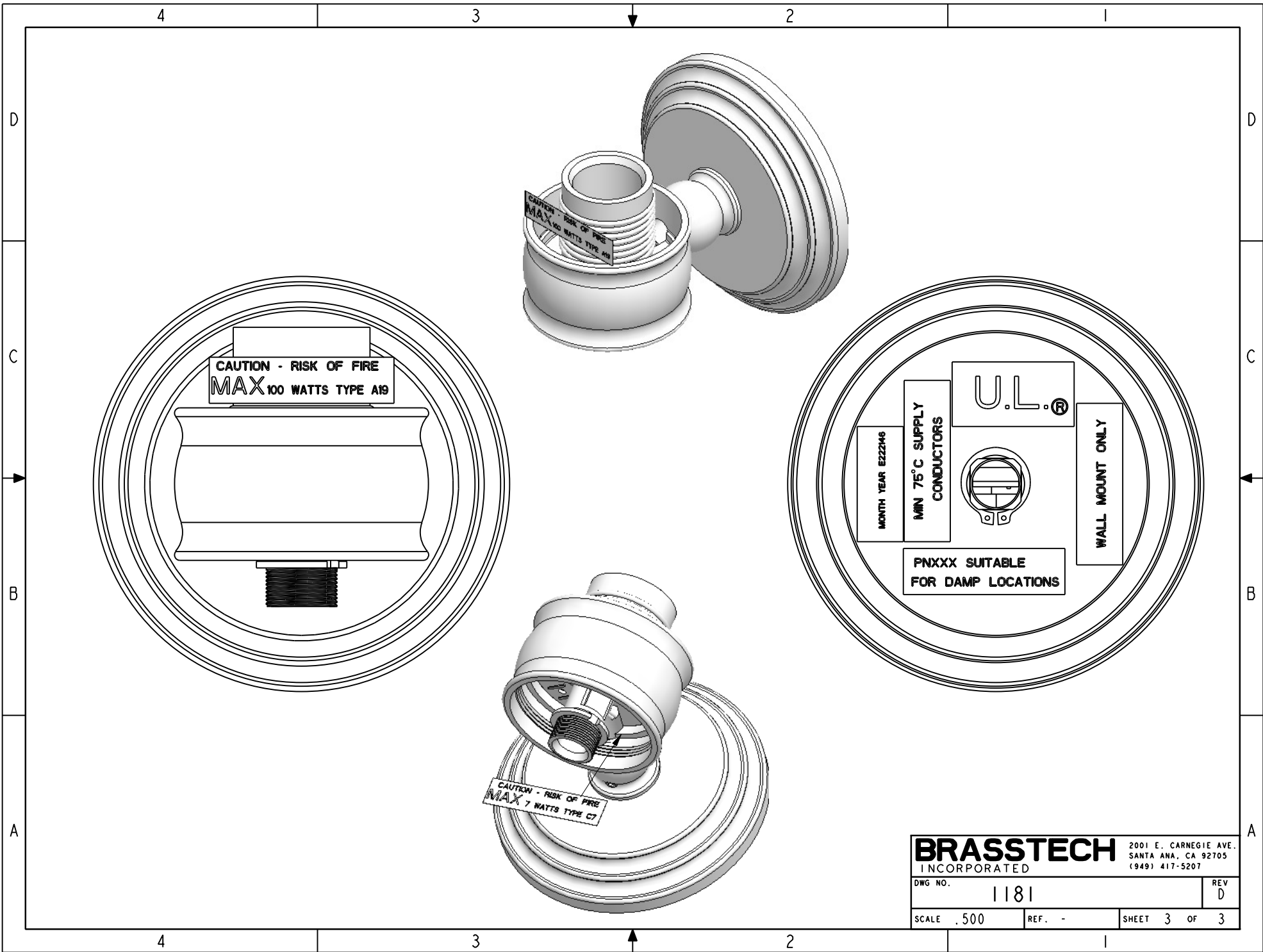
TESTING	ASSEMBLY	PLATING	POLISHING	MACHINING	TOOLING	FIXTURE #	APPLICATION
-	-	-	-	-	-	-	REMOVE ALL BURRS AND SHARP EDGES

UNITS ARE: INCHES [MM]
 TOLERANCES ARE:
 FRACTIONS DECIMALS ANGLES
 $\pm 1/16"$ $.X \pm .1$ [2.5] $\pm 1^\circ$
 $.XX \pm .06$ [1.5]
 (X.XXX) DENOTES CRITICAL DIMS.
 ALL THREADS ARE CRITICAL
 DRAWN JINSON 08/26/16
 CHECKED RAVINDRA 08/26/16
 APPROVED J.M 08/26/16

BRASSTECH 2001 CARNEGIE AVE. SANTA ANA, CA 92705 (949) 417-5207
 INCORPORATED
SATIN ETCHED GLASS WITH NIGHT LIGHT OPTION
 DWG NO. **1181** REV D
 SCALE .350 REF. - SHEET 1 OF 3



BRASSTECH		2001 E. CARNEGIE AVE.	
INCORPORATED		SANTA ANA, CA 92705	
		(949) 417-5207	
DWG NO.	1181	REV	D
SCALE .500	REF. -	SHEET 2	OF 3



CAUTION - RISK OF FIRE
MAX 100 WATTS TYPE A19

CAUTION - RISK OF FIRE
MAX 7 WATTS TYPE C7

MONTH YEAR E222M6

MIN 75°C SUPPLY
 CONDUCTORS

U.L.®

WALL MOUNT ONLY

PNXXX SUITABLE
 FOR DAMP LOCATIONS

BRASSTECH 2001 E. CARNEGIE AVE.
 INCORPORATED SANTA ANA, CA 92705
 (949) 417-5207

DWG NO.	1181	REV	D
---------	------	-----	---

SCALE .500	REF. -	SHEET 3 OF 3
------------	--------	--------------