

AXOR Urquiola
Axor Urquiola Pressure Balance Trim
Surfaces: **Chrome** Article Number: **11408001**



Description

product features

- 1 outlet
- connection type: basic set
- flow rate at 3 bar: 20.6 l/min
- pressure control and volume control in one unit
- bypass for use with diverter-type tub spouts
- temperature limitation adjustable
- temperature and volume control for 1 outlet
- non-return valve
- suitable for continuous flow water heaters

Product image

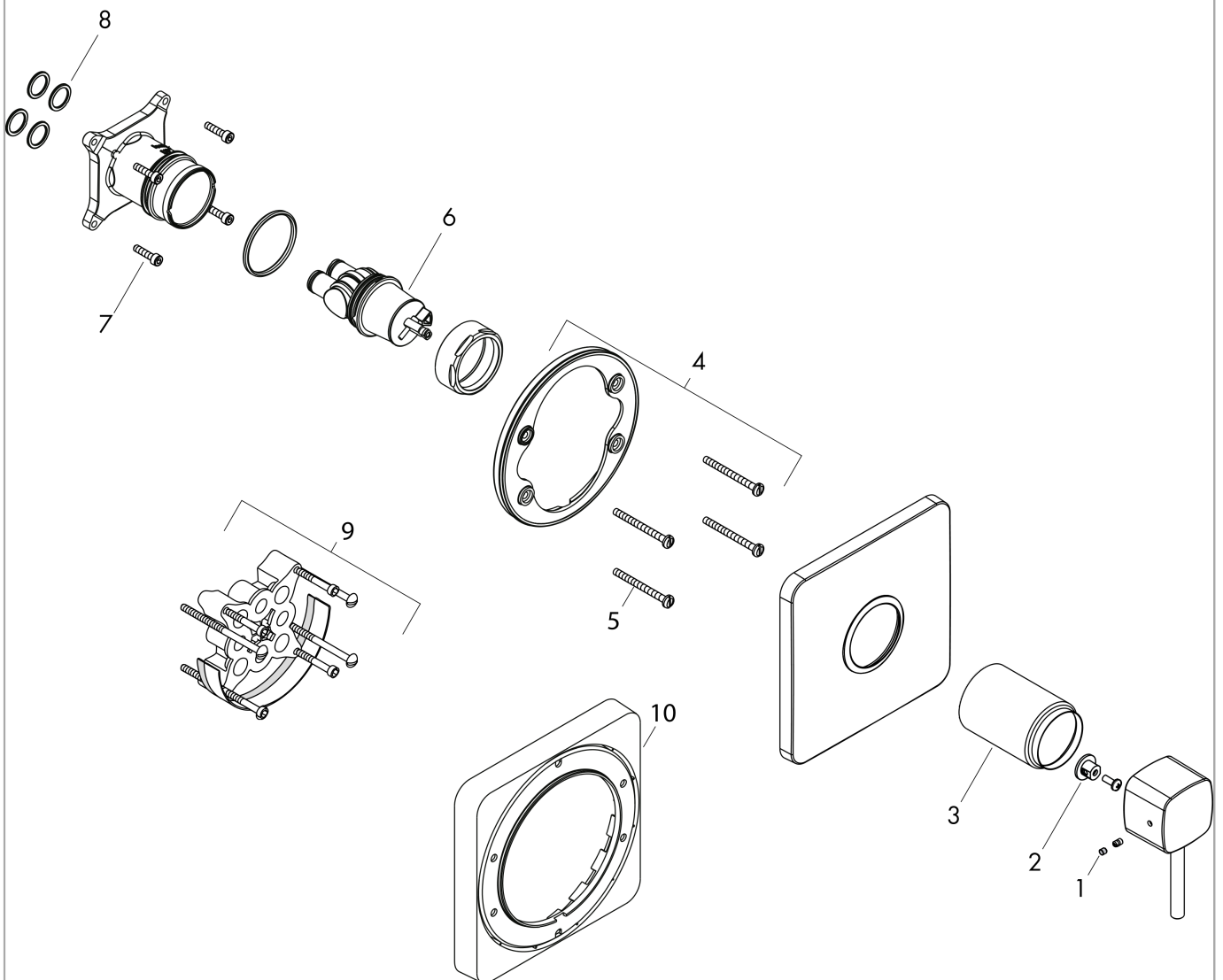


AXOR Urquiola
Axor Urquiola Pressure Balance Trim
Surfaces: **Chrome** Article Number: **11408001**



Exploded Drawing

Year of production: >06/10



AXOR Urquiola
Axor Urquiola Pressure Balance Trim
 Surfaces: **Chrome** Article Number: **11408001**



Spare part list

Year of production: >06/10

Pos.	Description	Article Number	PC	PU
1	screw cover	95181000	0	1
2	adapter for handle	92756000	0	1
3	sleeve	88765000	0	1
4	holder for escutcheon	98793000	0	1
5	set of fixing screws	96454000	0	1
6	cartridge, assy	88727000	0	1
7	set of screws	96525000	0	1
8	O-ring 16x2	98133000	0	1
9	extension 25 mm	13595000	0	1
10	extension 22 mm	98860000	0	1
a	base body	01850181	0	1
b	escutcheon	88780000	0	1