

4

3

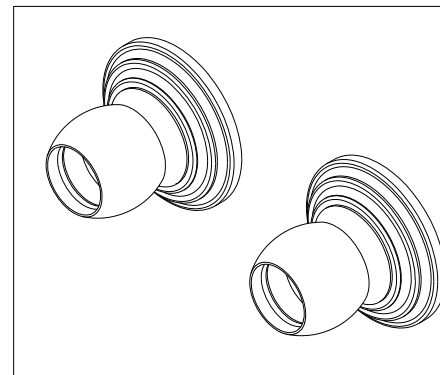
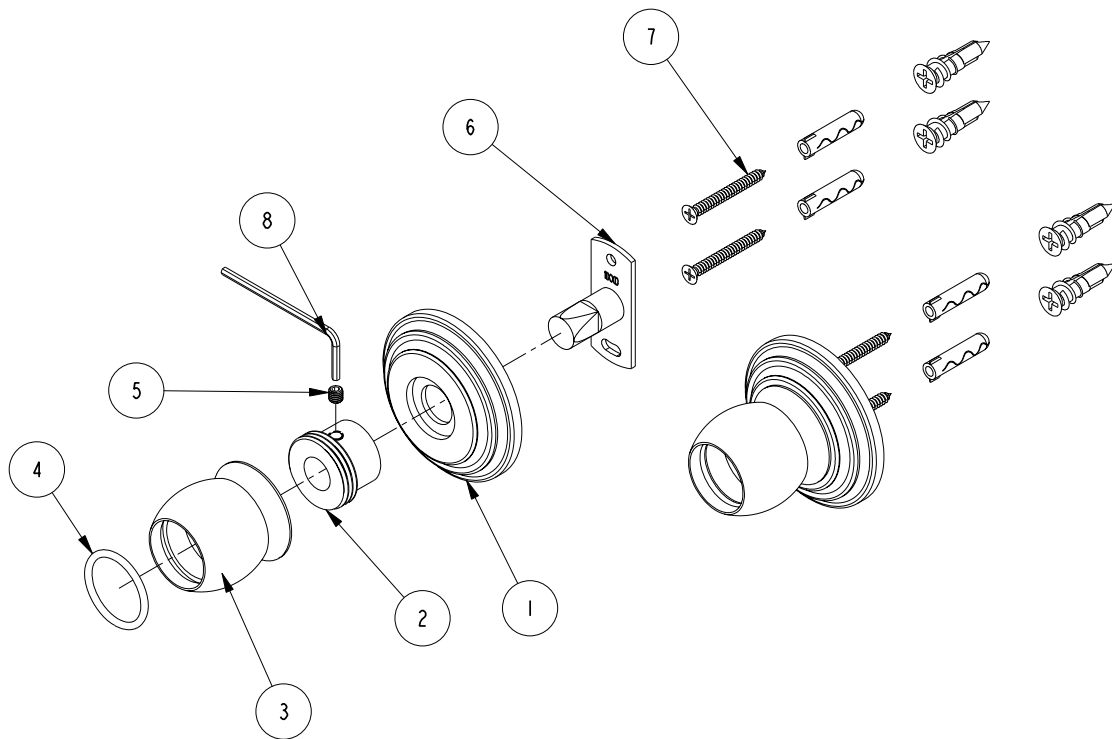
2

NOTES:

(NI) 1. FIT / FORM / FUNCTION SHALL FOLLOW PS-E.008.

BILL OF MATERIAL (CURRENT LEVEL)

ITEM	PT/ASSY	DESCRIPTION	TYPE	QTY.
1	1100C	TOWEL SHELF ROSETTE	PART	2
2	1139A	SHOWER ROD ADAPTER	PART	2
3	1139S	SHOWER ROD SLEEVE	PART	2
4	91073	O-RING, #2-120, EPDM, 65-75 DURO	PART	2
5	92308	SCRW, M5 X 5 SKT HD CUP PT SS	PART	2
6	11XXD	SOLID MOUNTING BRACKET	PART	2
7	1-206	HARDWARE PACK	ASSEMBLY	2
8	10888	HEX KEY, 2.5MM ALLOY STEEL	PART	1



COPYRIGHT 2005 BRASSTECH, INC.
 THESE DRAWINGS AND THE DESIGNS
 DEPICTED HEREIN ARE THE PROPRIETARY
 PROPERTY OF BRASSTECH. ANY USE
 OR REPRODUCTION IS SUBJECT TO
 THE EXPRESS APPROVAL OF BRASSTECH.
 UNAUTHORIZED USE IS STRICTLY
 PROHIBITED. ALL RIGHTS RESERVED.

ZONE	REV	DESCRIPTION	DATE	APPROVED
-	-	EN-2964	10/26/15	J.M.

TESTING	ASSEMBLY	PLATING	POLISHING	MACHINING	TOOLING FIXTURE #	APPLICATION
-	-	-	-	-	-	REMOVE ALL BURRS AND SHARP EDGES
-	-	-	-	-	NEXT ASSY	USED ON

UNITS ARE: INCHES [MM]	TOLERANCES ARE:
FRACTIONS DECIMALS	ANGLES
±1/16"	±1°
.X ±.1 [2,5]	
.XX ±.06 [1,5]	
(X.XXX) DENOTES CRITICAL DIMS. ALL THREADS ARE CRITICAL	
DRAWN	R.S. 10/26/15
CHECKED	J.M. 10/26/15
APPROVED	J.M. 10/26/15

BRASSTECH 2001 CARNEGIE AVE.
 INCORPORATED SANTA ANA, CA 92705
 (949) 417-5207

SHOWER ROD BRACKETS

DWG NO.	REV	SCALE	REF.	SHEET	OF
1139B	-	.375	-	1	2

4

3

2

4

3

2

D

D

C

C

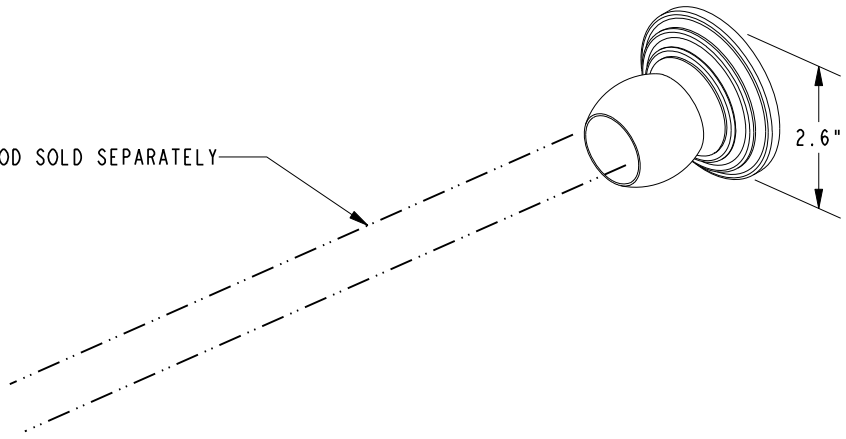
B

B

A

A

ROD SOLD SEPARATELY



2.6"

BRASSTECH		2001 E. CARNEGIE AVE.	
INCORPORATED		SANTA ANA, CA 92705	
		(949) 417-5207	
DWG NO.	1139B	REV	-
SCALE	.375	REF.	-
		SHEET	2 OF 2

4

3

2