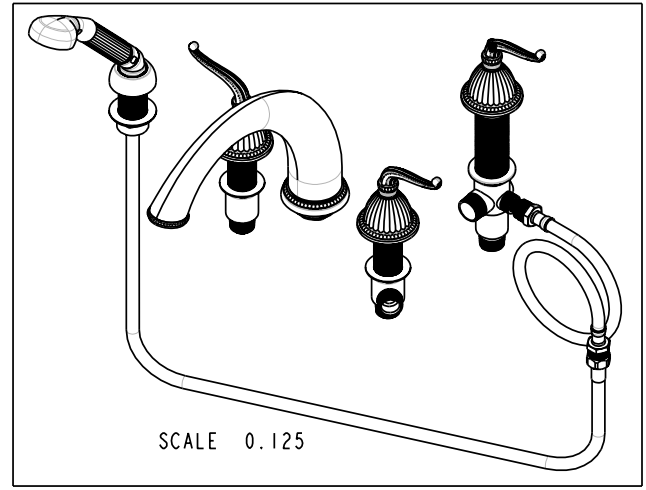


BILL OF MATERIAL (CURRENT LEVEL)				
ITEM	PT/ASSY	DESCRIPTION	TYPE	QTY.
1	3-1097	TRIM KIT - 3-1097	ASSEMBLY	1
2	1-507	R/T 3-VALVE/QUICK CONNECT	ASSEMBLY	1



NOTE: RECOMMENDED VALVE(S), SHOWN WITH TRIM KIT, SOLD SEPARATELY.

COPYRIGHT 2005 BRASSTECH, INC. THESE DRAWINGS AND THE DESIGNS DEPICTED HEREIN ARE THE PROPRIETARY PROPERTY OF BRASSTECH. ANY USE OR REPRODUCTION IS SUBJECT TO THE EXPRESS APPROVAL OF BRASSTECH. UNAUTHORIZED USE IS STRICTLY PROHIBITED. ALL RIGHTS RESERVED.

**BRASSTECH**  
INCORPORATED  
2001 E. CARNEGIE AVE.  
SANTA ANA, CA 92705  
(949) 417-5207

ROMAN TUB W/ HNDSHWR

ASSY. NO.	1097	C	EN-1257	05/29/09
SCALE 0.225	REF. -	B	EN-1167	12/19/08
SHEET 1 OF 3	REV	REV	DESC	DATE

4

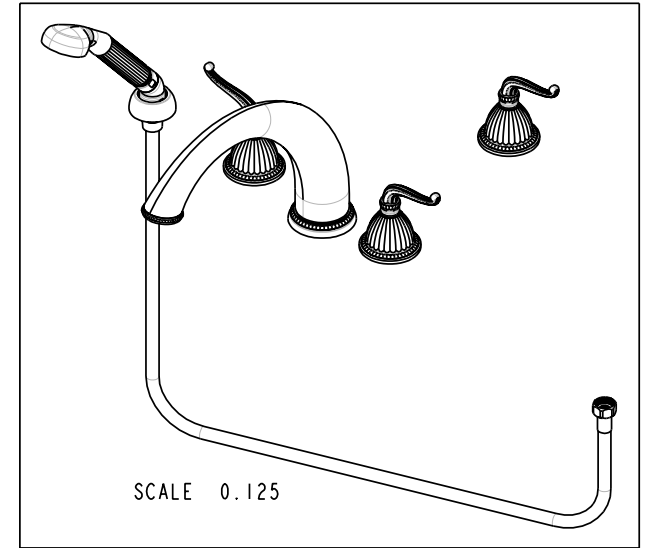
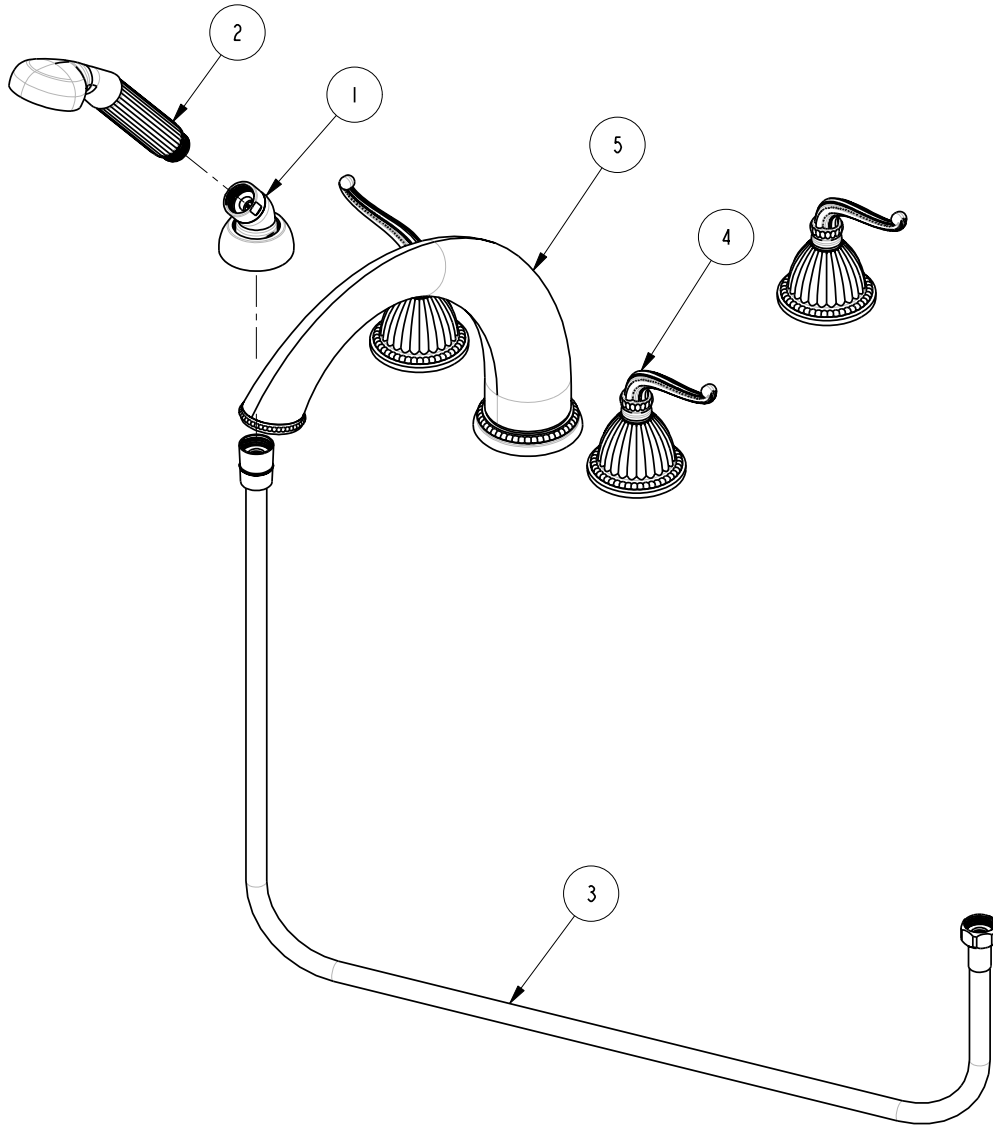
3

2

1

**BILL OF MATERIAL (CURRENT LEVEL)**

ITEM	PT/ASSY	DESCRIPTION	TYPE	QTY.
1	6-289	DECK FLANGE TRIM	ASSEMBLY	1
2	280	HAND SHOWER WITH GROOVE	ASSEMBLY	1
3	284	59 IN. SPIRAL SHOWER HOSE	ASSEMBLY	1
4	3-248	TRIM KIT - HANDLE / ESC	ASSEMBLY	3
5	3-260	ROMAN TUB SPOUT ASSEMBLY	ASSEMBLY	1



COPYRIGHT 2005 BRASSTECH, INC. THESE DRAWINGS AND THE DESIGNS DEPICTED HEREIN ARE THE PROPRIETARY PROPERTY OF BRASSTECH. ANY USE OR REPRODUCTION IS SUBJECT TO THE EXPRESS APPROVAL OF BRASSTECH. UNAUTHORIZED USE IS STRICTLY PROHIBITED. ALL RIGHTS RESERVED.

**BRASSTECH**  
 INCORPORATED  
 2001 E. CARNEGIE AVE.  
 SANTA ANA, CA 92705  
 (949) 417-5207

TRIM KIT - 3-1097

ASSY. NO.	1097		C	EN-1257	05/29/09
SCALE	1.000	REF.	B	EN-1167	12/19/08
SHEET 2 OF 3		REV	REV	DESC	DATE

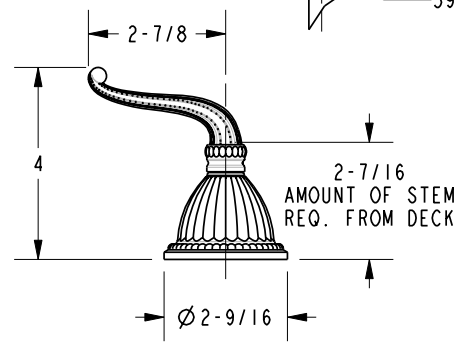
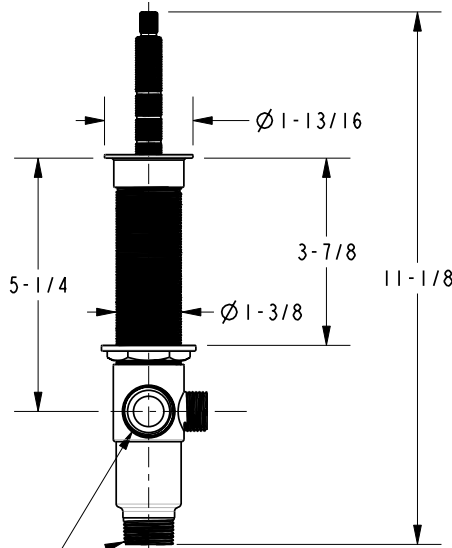
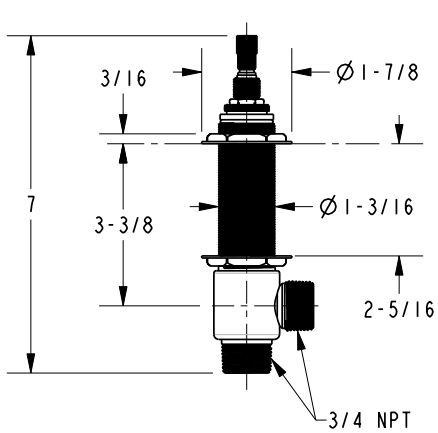
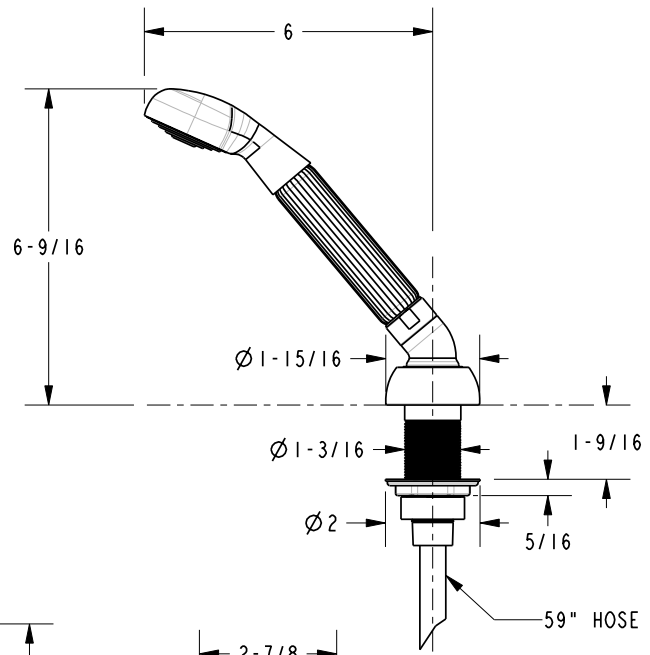
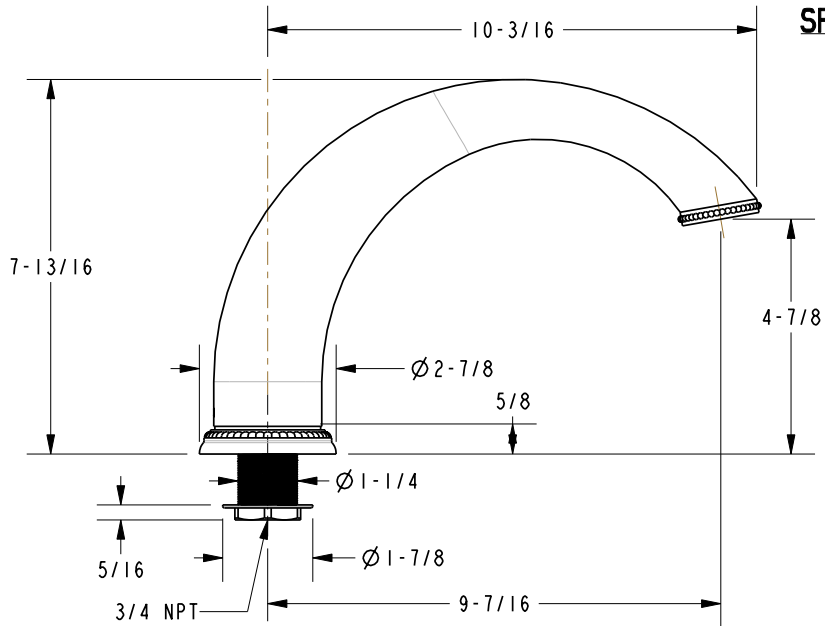
4

3

2

1

**SPECIFICATION DWG**



3/4 NPT (EXT)  
3/4 SWEAT (INT)  
(HANDSHOWER)

DIMENSIONS ARE IN INCHES AND AN APPROXIMATION OF A TYPICAL INSTALLATION

COPYRIGHT 2005 BRASSTECH, INC. THESE DRAWINGS AND THE DESIGNS DEPICTED HEREIN ARE THE PROPRIETARY PROPERTY OF BRASSTECH. ANY USE OR REPRODUCTION IS SUBJECT TO THE EXPRESS APPROVAL OF BRASSTECH. UNAUTHORIZED USE IS STRICTLY PROHIBITED. ALL RIGHTS RESERVED.

<b>BRASSTECH</b>		2001 E. CARNEGIE AVE.	
INCORPORATED		SANTA ANA, CA 92705	
		(949) 417-5207	
DWG NO.	1097	REV	C
SCALE	1.000	REF.	-
		SHEET 3 OF 3	