

AXOR Starck
HighArc Kitchen Faucet 2-Spray Pull-Down, 1.75 GPM
 Finishes : **chrome** Part no. : **10821001**



Description

Features

- Swivel range 150°
- Laminar and needle spray
- Number of sprays: 2 spray modes
- Toggle spray diverter
- MagFit magnetic sprayhead docking
- Single-hole installation
- Flow: 1.75 GPM (6.6 L/Min)
- Joystick ceramic cartridge
- 3/8" hoses
- Integrated double backflow prevention

Item details

Technology



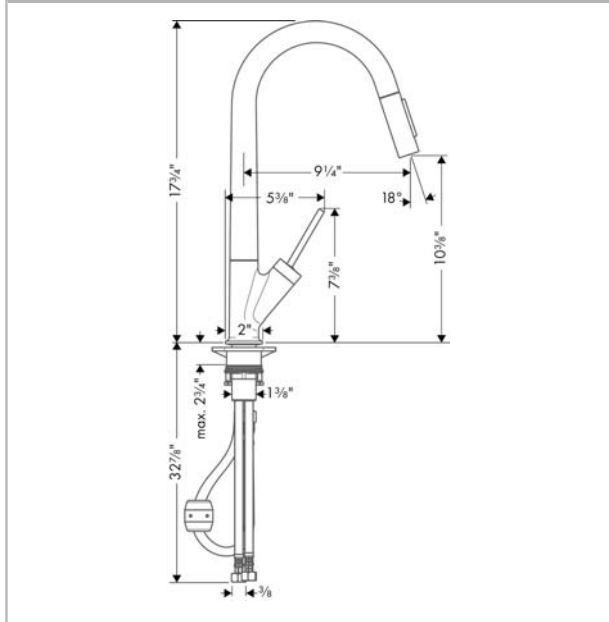
Compliance



Product image



Scale drawing

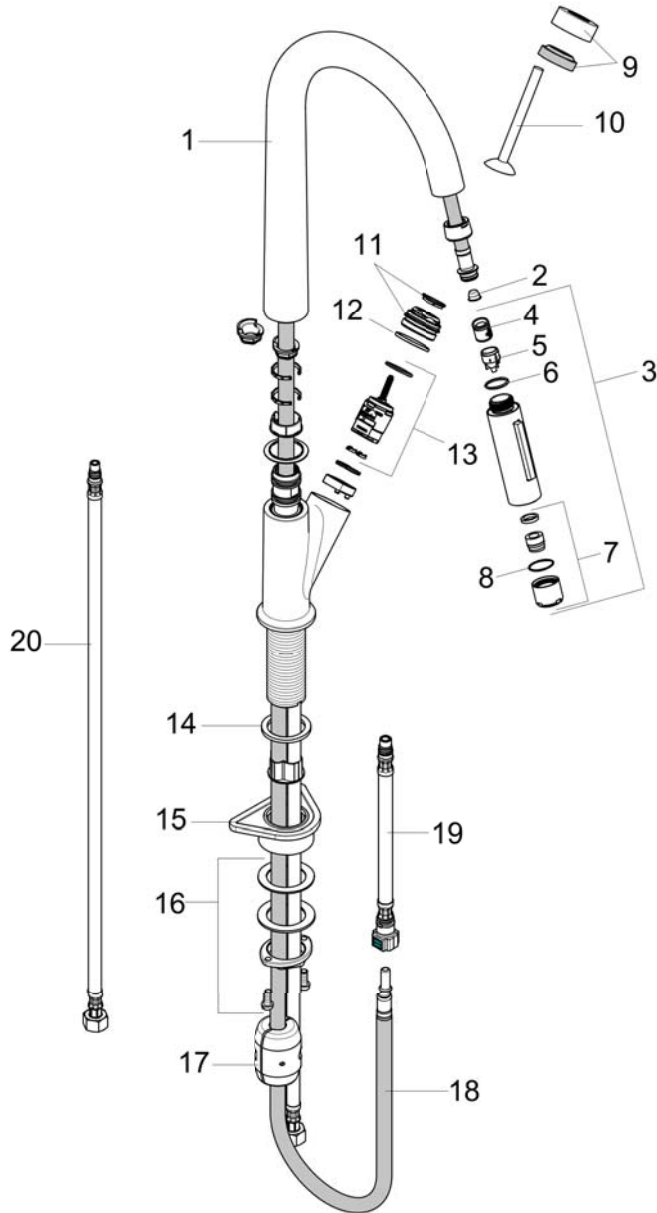


AXOR Starck
HighArc Kitchen Faucet 2-Spray Pull-Down, 1.75 GPM
Finishes : **chrome** Part no. : **10821001**



Exploded drawing

Year of production: >11/15



AXOR Starck
HighArc Kitchen Faucet 2-Spray Pull-Down, 1.75 GPM
 Finishes : **chrome** Part no. : **10821001**



Spare parts list

Year of production: >11/15

| Pos. | Description | Part no. | Price | PU |
|------|-----------------------------------|----------|-------|----|
| 1 | spout cpl. | 95907000 | - | 1 |
| 2 | filter | 97735000 | - | 1 |
| 3 | handspray | 95908001 | - | 1 |
| 4 | non return valve | 93218000 | - | 1 |
| 5 | set of non return valves DW 15 | 97350000 | - | 1 |
| 6 | O-ring 18x1,5 | 98231000 | - | 1 |
| 7 | aerator laminar M22x1 (15 l/min) | 95909000 | - | 1 |
| 8 | O-ring 20x1 | 98140000 | - | 1 |
| 9 | flange | 97155000 | - | 1 |
| 10 | handle | 95893000 | - | 1 |
| 11 | nut | 97157000 | - | 1 |
| 12 | O-Ring 30x2 | 98186000 | - | 1 |
| 13 | cartridge, assy | 96339000 | - | 1 |
| 14 | flat seal | 98749000 | - | 1 |
| 15 | support | 97523000 | - | 1 |
| 16 | fixing set (Ø 34) | 95049000 | - | 1 |
| 17 | weight | 92500000 | - | 1 |
| 18 | hose 1,50 m | 88624000 | - | 1 |
| 19 | connection hose 600 mm M10x1 | 95561000 | - | 1 |
| 20 | connection hose 35½" M8x0,75 3/8" | 96316001 | - | 1 |
| a | Grease | 90920000 | - | 1 |
| b | set of lever collars | 98365000 | - | 1 |