

AXOR Starck
Semi-Pro Kitchen Faucet 2-Spray, 1.75 GPM
 Finishes : **chrome** Part no. : **10820001**



Description

Features

- Swivel range 360°
- Laminar and needle spray
- Number of sprays: 2 spray modes
- Toggle spray diverter
- Single-hole installation
- Flow: 1.75 GPM (6.6 L/Min)
- Joystick ceramic cartridge
- 3/8" hoses
- Integrated double backflow prevention

Item details

Technology



Design awards



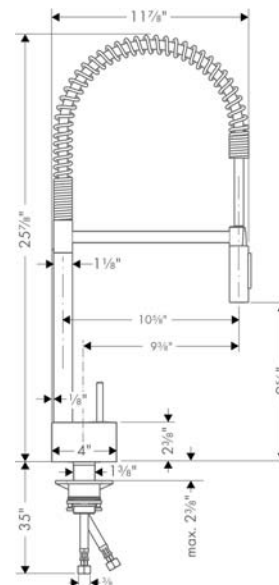
Compliance



Product image



Scale drawing

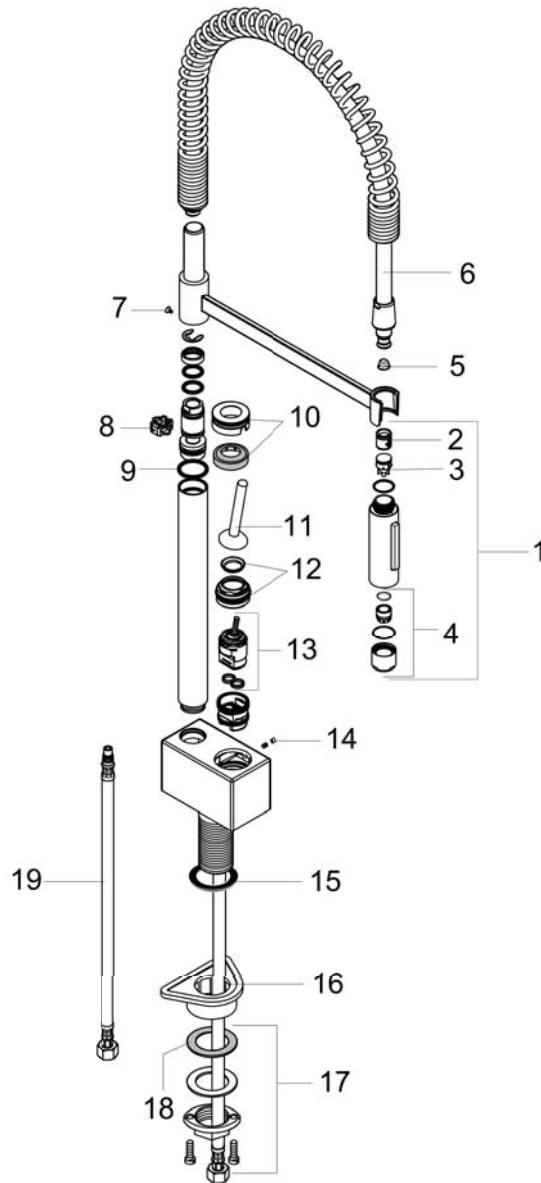


AXOR Starck
Semi-Pro Kitchen Faucet 2-Spray, 1.75 GPM
Finishes : **chrome** Part no. : **10820001**



Exploded drawing

Year of production: >11/15



AXOR Starck
Semi-Pro Kitchen Faucet 2-Spray, 1.75 GPM
 Finishes : **chrome** Part no. : **10820001**



Spare parts list

Year of production: >11/15

Pos.	Description	Part no.	Price	PU
1	handspray	95908001	-	1
2	non return valve	93218000	-	1
3	set of non return valves DW 15	97350000	-	1
4	aerator laminar M22x1 (15 l/min)	95909000	-	1
5	filter	97735000	-	1
6	shower hose	97475000	-	1
7	screw	97662000	-	1
8	axialring	97558000	-	1
9	O-ring 21x2	98205000	-	1
10	escutcheon	97466000	-	1
11	handle	10092000	-	1
12	nut	97157000	-	1
13	cartridge, assy	96339000	-	1
14	screw cover	95181000	-	1
15	sealing washer	97825000	-	1
16	support	97523000	-	1
17	fixing set (Ø 34)	95049000	-	1
18	lever collar	97548000	-	1
19	connection hose 35½" M8x0,75 3/8"	96316001	-	1
a	O-ring 18x1,5	98231000	-	1
b	service tool	95910000	-	1
c	hollow set screw M4x5	98731000	-	1