

NOTES:

(N1) 1. FIT / FORM / FUNCTION SHALL FOLLOW PS-E.008.

2 APPLY LOCTITE 680.

3 CUT AND SHORTEN O-RING BY .13" TO .20" IN LENGTH BEFORE INSTALLING.

4 SLIT O-RING BEFORE INSTALLING.

5 APPLY LOCTITE 242.

(N6) 6 CONNECT WHITE AND RED TUBINGS TOGETHER AND WATER TEST WHOLE UNIT.

7 BAG 5-035 IN A SEPARATE BAG.

(N8) 8 REWORK CARTRIDGE ASSY IF THE HANDLE DOES NOT RETURN TO THE "OFF" POSITION AUTOMATICALLY AFTER WATER TESTING.

9 INSTALLATION TORQUE: 8-14 LB-FT.

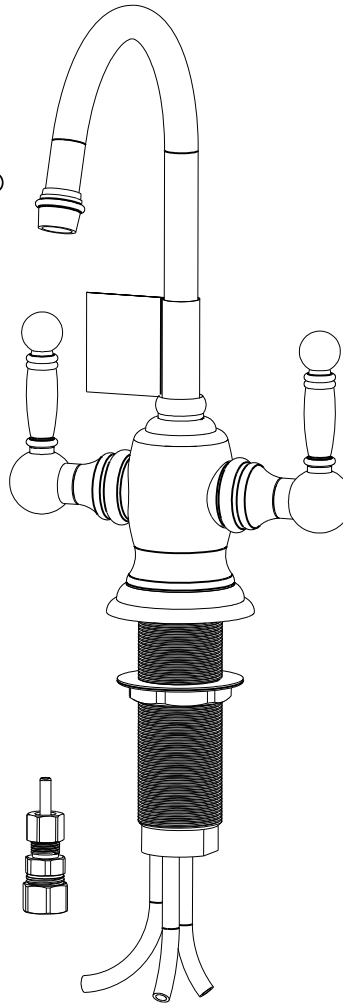
10 INSTALLATION TORQUE: 30 LB-FT.

11 LUBRICATE SPRING WITH DOW CORNING 111.

12 PRE-CRIMPED THESE PARTS TOGETHER. SEE INSTALLATION INSTRUCTION.

13 APPLY THIN FILM OF DOW CORNING 111.

**14 INSTALLATION TORQUE 10-14 LB-IN**



BILL OF MATERIAL (CURRENT LEVEL)

ITEM	PT/ASSY	DESCRIPTION	TYPE	QTY.
1	12716	ESCUTCHEON	PART	1
2	50744	WATER DISP. BODY H/C (TRAD)	PART	1
3	50714	WATER DISP. CAR.T HOLDER	PART	2
4	5-061	ADAPTER/CARTRIDGE ASSY	ASSEMBLY	1
5	50708	WATER DISP HDL BONNET (TRAD)	PART	2
6	50705	WATER DISP BODY CAP	PART	1
7	50706	WATER DISP SPOUT RET RING	PART	1
8	50713	SPOUT, WATER DISP. (TRAD.)	PART	1
9	50712	WATER DISP SPOUT SHELL	PART	1
10	91382	O-RING, #2- 012, TEFLON,	PART	1
11	91217	O-RING, #2-020, EPDM, 65-75 DURO, NSF 6	PART	1
12	91017	O-RING, #2- 012, EPDM, 65-75 DURO, NSF 6	PART	2
13	50068	INSERT, HOSE	PART	3
14	50066	COMPRESSION RING, 1/2	PART	3
15	1-134	CARTR 3/8 HOT 1/4 TR	PART	1
16	91376	TUBE, RED, .250 OD X 4 FT	PART	1
17	91377	TUBE, BLUE, .250 OD X 4 FT	PART	1
18	91378	TUBE, HIGH TEMP, .250 OD X 4 FT	PART	1
19	50768	RETAINER PLATE	PART	1
20	50770	NIPPLE	PART	1
21	10174	NUT, QUICK CONNECT	PART	1
22	91383	O-RING, #2- 014, TEFLON, NSF 61	PART	1
23	12589	WATER DISP LEVER HUB (TRAD)	PART	2
24	11833	ADAPTER	PART	1
25	92477	SCRW, M4 X 16 SKT FLT HD SS	PART	1
26	91373	BLUE IDENTIFIER	PART	1
27	91374	RED IDENTIFIER	PART	1
28	50711	LEVER HANDLE	PART	2
29	92000	SCREW 8 - 32 X 1/8 SS	PART	2
30	92192	SCRW, 10-32 X 5/8 SKT HD CUP PT SS	PART	2
31	5-035	COUPLING & INSERT ASM	ASSEMBLY	1
32	98043	TAG LABEL, HOT WATER WARNING	PART	1
33	92016	SCRW, 10-24 X 3/4 SKT HD FLT PT SS	PART	2
34	91100	O-RING, #2-006, EPDM, 65-75 DURO	PART	3
35	91394	O-RING, #2-132, EPDM, 65-75 DURO	PART	1

TESTING	ASSEMBLY	PLATING	POLISHING	MACHINING	TOOLING FIXTURE #
-	-	-	-	-	REMOVE ALL BURRS AND SHARP EDGES
		NEXT ASSY	USED ON		
APPLICATION					

UNITS ARE: INCHES [MM]	
TOLERANCES ARE:	
FRACTIONS DECIMALS	ANGLES
±1/16"	±1°
.x ±.1 [2.5]	
.xx ±.06 [1.5]	
(X.XXX) DENOTES CRITICAL DIMS. ALL THREADS ARE CRITICAL	
DRAWN	AMARISH 01/23/17
CHECKED	RAVINDRA 01/23/17
APPROVED	J.A 01/23/17

**BRASSTECH**  
INCORPORATED

2001 CARNEGIE AVE.  
SANTA ANA, CA 92705  
(949) 417-5207

H & C WATER DISP, LEVER  
TRAD

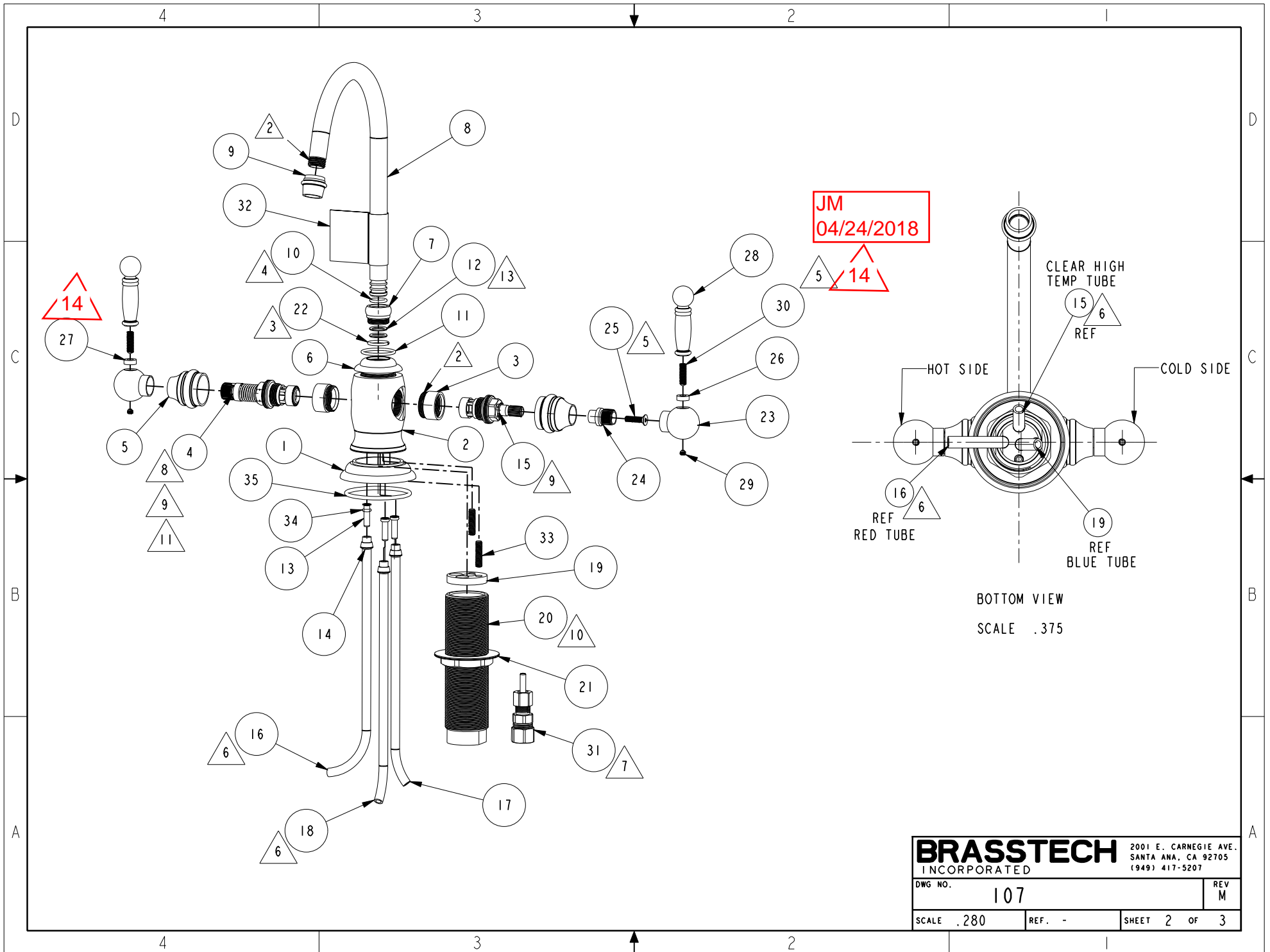
DWG NO. 107

REV M

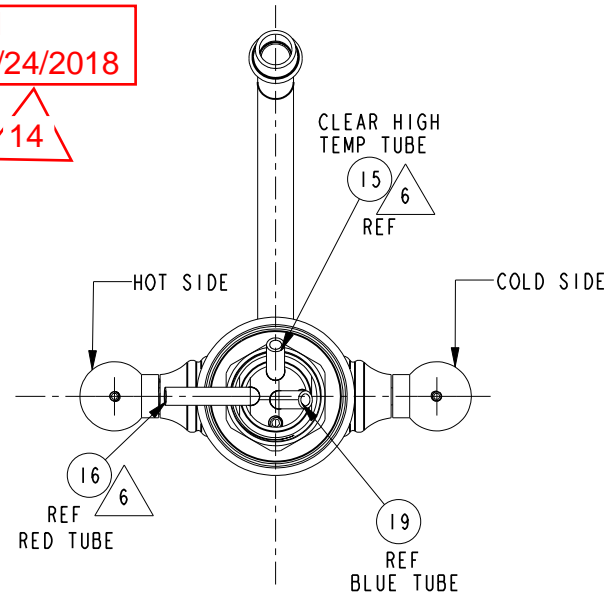
SCALE .280 REF. - SHEET 1 OF 3

ZONE	REV	DESCRIPTION	DATE	APPROVED
-	M	EN-3257D	10/04/17	V.V.
-	L	EN-3205	01/23/17	J.A.
-	K	EN-2601	09/16/13	-
-	J	EN-2528	05/08/13	-
-	H	EN-2235	07/30/12	-
-	G	EN-2186	06/20/12	-
-	F	EN-1675A	12/14/10	-
-	E	EO-0936	01/29/08	-
-	D	EO-0707	05/24/06	-
-	C	EO-0478	02/16/05	-

COPYRIGHT 2005 BRASSTECH, INC. THESE DRAWINGS AND THE DESIGNS DEPICTED HEREIN ARE THE PROPRIETARY PROPERTY OF BRASSTECH. ANY USE OR REPRODUCTION IS SUBJECT TO THE EXPRESS APPROVAL OF BRASSTECH. UNAUTHORIZED USE IS STRICTLY PROHIBITED. ALL RIGHTS RESERVED.

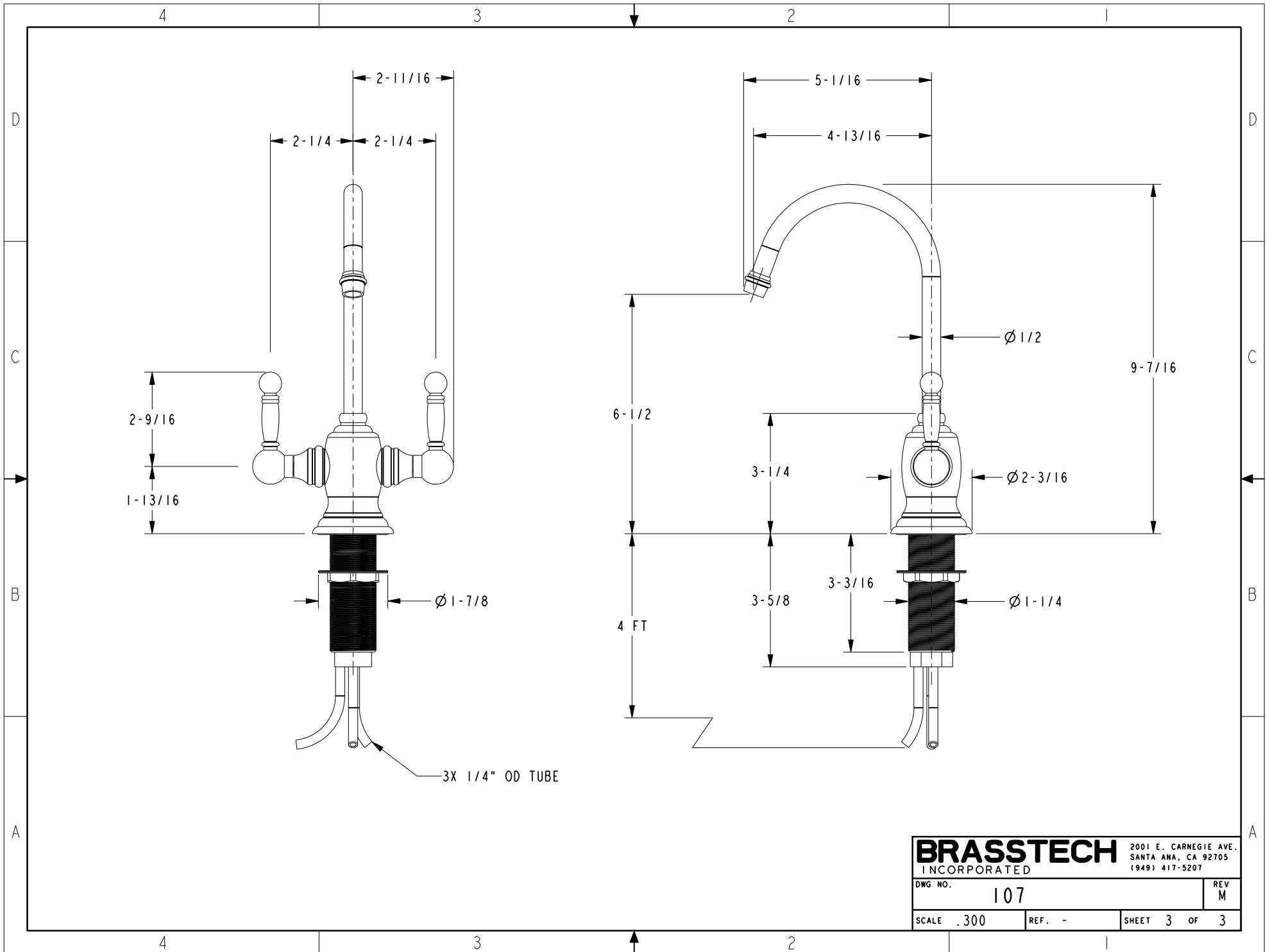


JM  
04/24/2018



BOTTOM VIEW  
SCALE .375

<b>BRASSTECH</b>		2001 E. CARNEGIE AVE. SANTA ANA, CA 92705 (949) 417-5207	
DWG NO.	107	REV	M
SCALE .280	REF. -	SHEET 2 OF 3	



<b>BRASSTECH</b>		2001 E. CARNEGIE AVE.	
INCORPORATED		SANTA ANA, CA 92705	
DWG NO. 107		REV M	
SCALE .300	REF. -	SHEET 3 OF 3	