

4

3

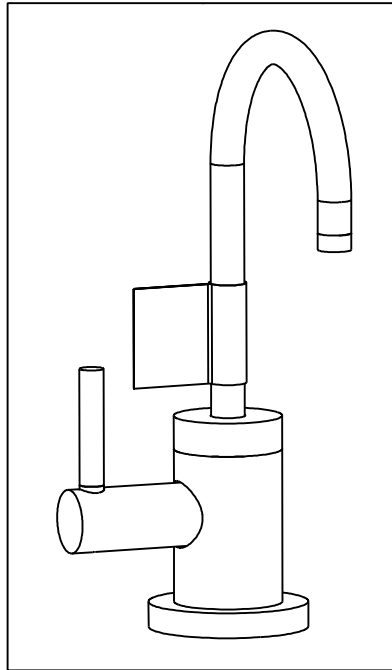
2

1

NOTES:

- (N1) 1. FIT / FORM / FUNCTION SHALL FOLLOW PS-E.008.
- 2 APPLY LOCTITE 680.
- 3 CUT AND SHORTEN O-RING BY .13" TO .20" IN LENGTH BEFORE INSTALLING.
- 4 SLIT O-RING BEFORE INSTALLING.
- 5 APPLY LOCTITE 242.
- (N6) 6 CONNECT WHITE AND RED TUBINGS TOGETHER AND WATER TEST WHOLE UNIT.
- 7 BAG 5-035 IN A SEPARATE BAG.
- (N8) 8 REWORK CARTRIDGE ASSY IF THE HANDLE DOES NOT RETURN TO THE 'OFF' POSITION AUTOMATICALLY AFTER WATER TESTING.
- 9 INSTALLATION TORQUE: 8-14 LB-FT.
- 10 INSTALLATION TORQUE: 30 LB-FT.
- 11 LUBRICATE SPRING WITH DOW CORNING III SILICONE COMPOUND.
- 12 PRE-CRIMPED THESE PARTS TOGETHER. SEE INSTALLATION INSTRUCTION.
- 13 APPLY LIGHT FILM OF DOW CORNING III SILICONE COMPOUND.

14 **INSTALLATION TORQUE 10-14 LB-IN**



BILL OF MATERIAL (CURRENT LEVEL)

ITEM	PT/ASSY	DESCRIPTION	TYPE	QTY.
1	5-035	COUPLING & INSERT ASM	ASSEMBLY	1
2	5-052	SPOUT ASM	ASSEMBLY	1
3	5-061	ADAPTER/CARTRIDGE ASSY	ASSEMBLY	1
4	10174	NUT, QUICK CONNECT	PART	1
5	10831	ESCUTCHEON (DECK SPOUT)	PART	1
6	12657	WATER DISP HANDLE (CONT.)	PART	1
7	50066	COMPRESSION RING, 1/2	PART	3
8	50068	INSERT, HOSE	PART	3
9	50714	WATER DISP. CAR.T HOLDER	PART	1
10	50716	WATER DISP BODY CAP (CONT.)	PART	1
11	50717	WATER DISP SPOUT RETAINER	PART	1
12	50721	WATER DISP LEVER (CONT.)	PART	1
13	50746	WATER DISP.BODY (HOT)	PART	1
14	50768	RETAINER PLATE	PART	1
15	50770	NIPPLE	PART	1
16	91017	O-RING, #2- 012, EPDM, 65-75 DURO, NSF 61	PART	2
17	91023	O-RING, #2- 019, EPDM, 65-75 DURO, NSF 61	PART	1
18	91100	O-RING, #2-006, EPDM, 65-75 DURO	PART	3
19	91231	O-RING, #2-136, EPDM, 65-75 DURO	PART	1
20	91374	RED IDENTIFIER	PART	1
21	91376	TUBE, RED, .250 OD X 4 FT	PART	1
22	91377	TUBE, BLUE, .250 OD X 4 FT	PART	1
23	91378	TUBE, HIGH TEMP, .250 OD X 4 FT	PART	1
24	91382	O-RING, #2- 012, TEFLON,	PART	1
25	91383	O-RING, #2- 014, TEFLON, NSF 61	PART	1
26	92000	SCREW 8 - 32 X 1/8 SS	PART	1
27	92016	SCRW, 10-24 X 3/4 SKT HD FLT PT SS	PART	2
28	92192	SCRW, 10-32 X 5/8 SKT HD CUP PT SS	PART	1
29	98043	TAG LABEL, HOT WATER WARNING	PART	1

-	J	EN-3311	05/11/17	J.A
-	H	EN-2601	09/16/13	-
-	G	EN-2528	05/08/13	-
-	F	EN-2235	07/30/12	-
-	E	EN-1675A	12/14/10	-
-	D	EN-1300	10/26/09	-
-	C	EO-0936	01/29/08	-
-	B	EO-0707	05/24/06	-
-	A	EO-0461	12/14/04	-
-	-	EO-0441	11/19/04	-
ZONE	REV	DESCRIPTION	DATE	APPROVED

COPYRIGHT 2005 BRASSTECH, INC. THESE DRAWINGS AND THE DESIGNS DEPICTED HEREIN ARE THE PROPRIETARY PROPERTY OF BRASSTECH. ANY USE OR REPRODUCTION IS SUBJECT TO THE EXPRESS APPROVAL OF BRASSTECH. UNAUTHORIZED USE IS STRICTLY PROHIBITED. ALL RIGHTS RESERVED.

TESTING	-	-	-
ASSEMBLY	-	-	-
PLATING	-	-	-
POLISHING	-	NEXT ASSY	USED ON
MACHINING	-	APPLICATION	
TOOLING FIXTURE #	REMOVE ALL BURRS AND SHARP EDGES		

UNITS ARE: INCHES [MM]	
TOLERANCES ARE:	
FRACTIONS DECIMALS	ANGLES
±1/16"	±1°
.X ±.1 [2,5]	
.XX ±.06 [1,5]	
(X.XXX) DENOTES CRITICAL DIMS.	
ALL THREADS ARE CRITICAL	
DRAWN	AMARISH 05/11/17
CHECKED	RAVINDRA 05/11/17
APPROVED	J.A 05/11/17

BRASSTECH 2001 CARNEGIE AVE. SANTA ANA, CA 92705 (949) 417-5207
INCORPORATED

HOT WATER DISP COMP

DWG NO. **106H** REV **J**

SCALE .350 REF. - SHEET **1** OF **3**

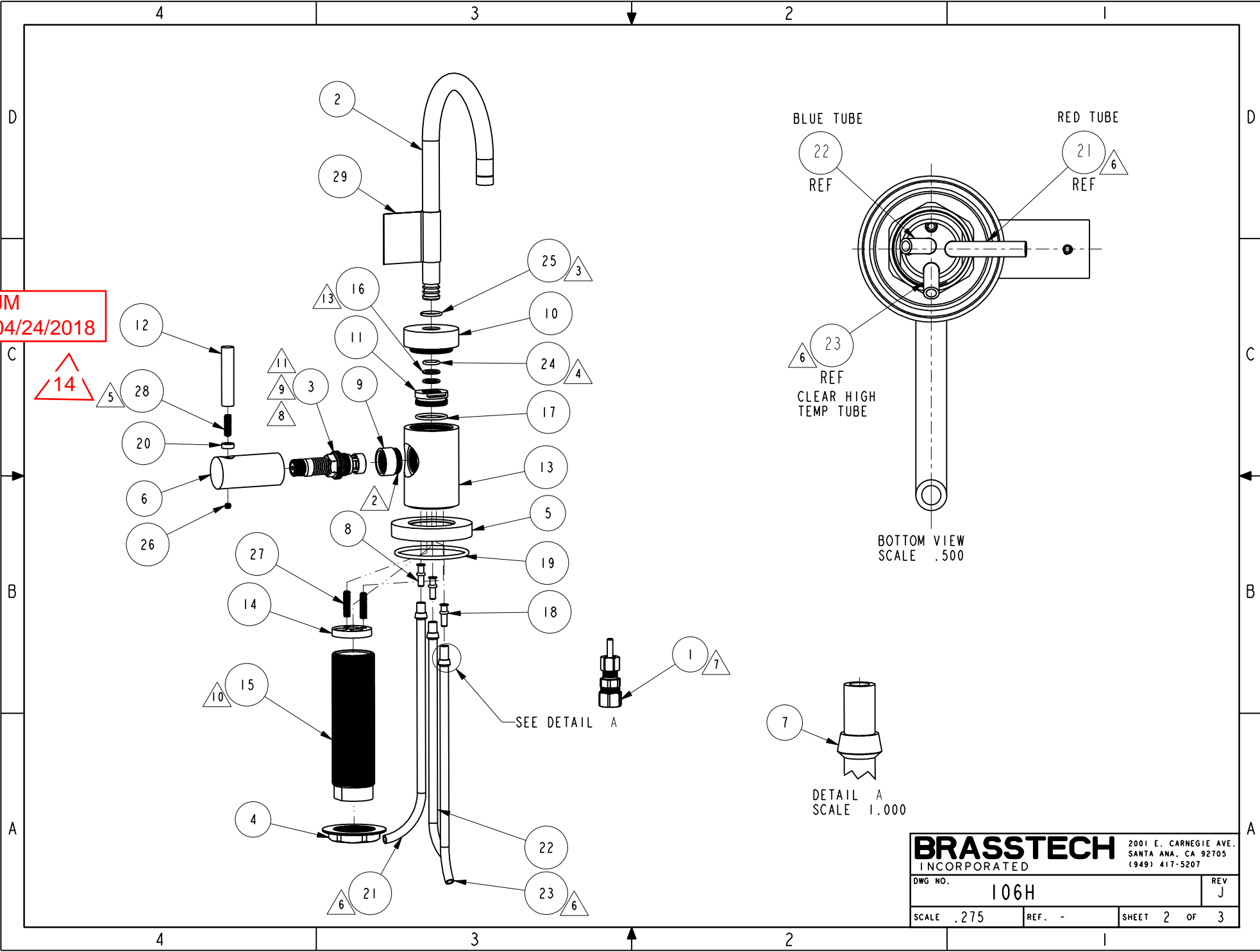
4

3

2

1

JM
04/24/2018



BRASSTECH INCORPORATED		2001 E. CARNEGIE AVE. SANTA ANA, CA 92705 (949) 417-5207	
DWG NO.	106H	REV	J
SCALE	.275	REF.	-
SHEET 2		OF 3	

