

AXOR Starck
Axor Starck Pressure Balance Trim
Surfaces: **Brushed Nickel** Article Number: **10407821**



Description

product features

- flow rate at 3 bar: 20.6 l/min
- pressure control and volume control in one unit
- bypass for use with diverter-type tub spouts
- temperature limitation adjustable
- temperature and volume control for 1 outlet
- suitable for continuous flow water heaters

Product image

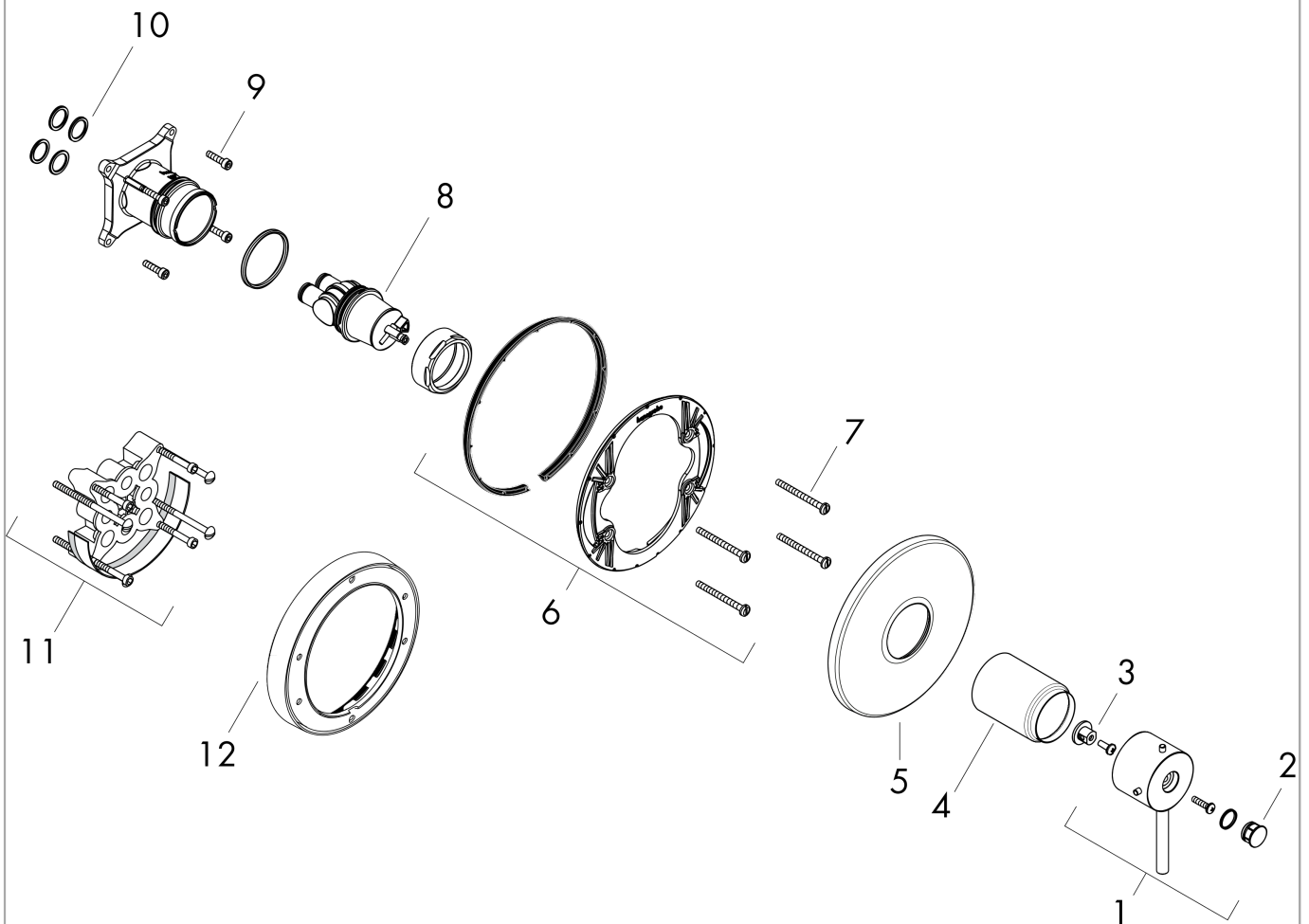


AXOR Starck
Axor Starck Pressure Balance Trim
Surfaces: **Brushed Nickel** Article Number: **10407821**



Exploded Drawing

Year of production: >07/09



AXOR Starck
Axor Starck Pressure Balance Trim
 Surfaces: **Brushed Nickel** Article Number: **10407821**



Spare part list

Year of production: >07/09

| Pos. | Description | Article Number | PC | PU |
|------|----------------------------|----------------|----|----|
| 1 | handle | 88778820 | 0 | 1 |
| 2 | screw cover | 96540821 | 0 | 1 |
| 3 | adapter for handle | 92756000 | 0 | 1 |
| 4 | sleeve | 88765820 | 0 | 1 |
| 5 | escutcheon | 88760820 | 0 | 1 |
| 6 | sub plate | 96447000 | 0 | 1 |
| 7 | set of fixing screws | 96454000 | 0 | 1 |
| 8 | cartridge, assy | 88727000 | 0 | 1 |
| 9 | set of screws | 96525000 | 0 | 1 |
| 10 | O-ring 16x2 | 98133000 | 0 | 1 |
| 11 | extension 22 mm (Ø 170 mm) | 13596820 | 0 | 1 |
| 12 | extension 25 mm | 13595000 | 0 | 1 |
| a | base body | 01850181 | 0 | 1 |