

AXOR Starck
Axor Starck Pressure Balance Trim
Surfaces: **Chrome** Article Number: **10407001**



Description

product features

- flow rate at 3 bar: 20.6 l/min
- pressure control and volume control in one unit
- bypass for use with diverter-type tub spouts
- temperature limitation adjustable
- temperature and volume control for 1 outlet
- suitable for continuous flow water heaters

Product image

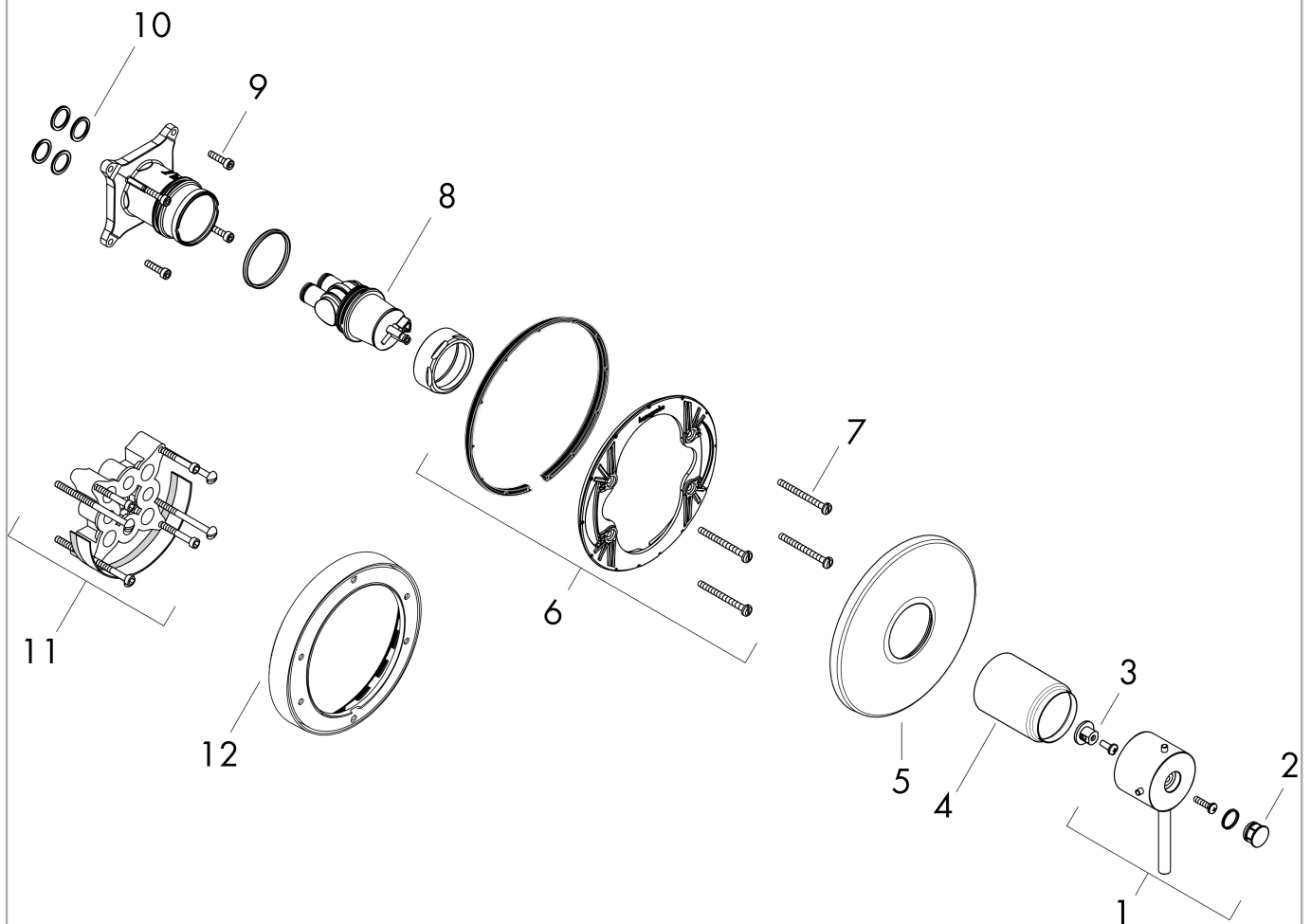


AXOR Starck
Axor Starck Pressure Balance Trim
Surfaces: **Chrome** Article Number: **10407001**



Exploded Drawing

Year of production: >07/09



AXOR Starck
Axor Starck Pressure Balance Trim
 Surfaces: **Chrome** Article Number: **10407001**



Spare part list

Year of production: >07/09

Pos.	Description	Article Number	PC	PU
1	handle	88778000	0	1
2	screw cover	96540001	0	1
3	adapter for handle	92756000	0	1
4	sleeve	88765000	0	1
5	escutcheon	88760000	0	1
6	sub plate	96447000	0	1
7	set of fixing screws	96454000	0	1
8	cartridge, assy	88727000	0	1
9	set of screws	96525000	0	1
10	O-ring 16x2	98133000	0	1
11	extension 25 mm	13595000	0	1
12	extension 22 mm (Ø 170 mm)	13596000	0	1
a	base body	01850181	0	1