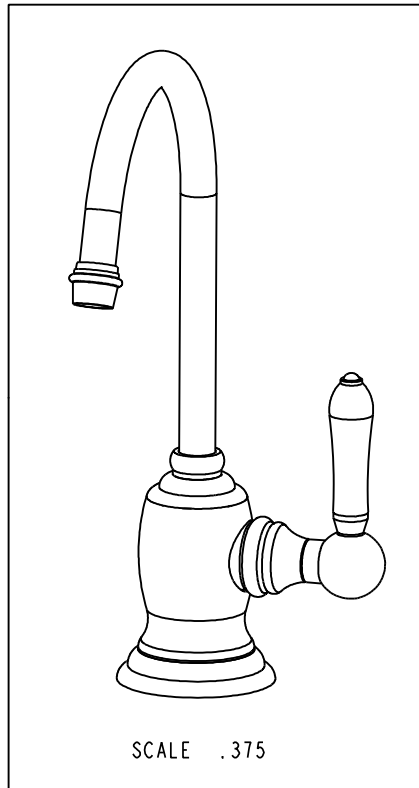


NOTES:

- (N1) 1. FIT / FORM / FUNCTION SHALL FOLLOW PS-E.008.
- 2. APPLY LOCTITE 680.
- 3. SLIT AND SHORTEN O-RING BY .13" TO .20" IN LENGTH BEFORE INSTALLING.
- 4. SLIT O-RING BEFORE INSTALLING.
- 5. INSTALLATION TORQUE: 8 - 14 LB-FT.
- (N6) 6. WATER TEST WHOLE UNIT.
- 7. SEE DETAIL 'A' FOR INSTALLATION ORIENTATION.
- 8. BAG 5-007 IN A SEPARATE BAG.
- 9. APPLY THIN FILM OF DOW CORNING 111.
- 10. APPLY LOCTITE 242.

**11** INSTALLATION TORQUE 10-14 LB-IN



**BILL OF MATERIAL (CURRENT LEVEL)**

ITEM	PT/ASSY	DESCRIPTION	TYPE	QTY.
1	12716	ESCUTCHEON	PART	1
2	50703	WATER DISP. BODY (TRAD.)	PART	1
3	50705	WATER DISP BODY CAP	PART	1
4	50706	WATER DISP SPOUT RET RING	PART	1
5	50713	SPOUT, WATER DISP. (TRAD.)	PART	1
6	50712	WATER DISP SPOUT SHELL	PART	1
7	91382	O-RING, #2- 012, TEFLON,	PART	1
8	91217	O-RING, #2-020, EPDM, 65-75 DURO, NSF 61	PART	1
9	91017	O-RING, #2- 012, EPDM, 65-75 DURO, NSF 61	PART	2
10	50714	WATER DISP. CAR.T HOLDER	PART	1
11	1-134	CARTR 3/8 HOT 1/4 TR	PART	1
12	50708	WATER DISP HDL BONNET (TRAD)	PART	1
13	91383	O-RING, #2- 014, TEFLON, NSF 61	PART	1
14	50760	NIPPLE WATER DISP	PART	1
15	10661	MOUNTING STUD	PART	1
16	10514	MOUNTING CRESCENT	PART	1
17	91063	MOUNTING CRESCENT GASKET	PART	1
18	10516	MOUNTING NUT	PART	1
19	91394	O-RING, #2-132, EPDM, 65-75 DURO	PART	1
20	5-007	1/4 COMP KIT	ASSEMBLY	1
21	11833	ADAPTER	PART	1
22	92477	SCRW, M4 X 16 SKT FLT HD SS	PART	1
23	12589	WATER DISP LEVER HUB (TRAD)	PART	1
24	92000	SCREW 8 - 32 X 1/8 SS	PART	1
25	92192	SCRW, 10-32 X 5/8 SKT HD CUP PT SS	PART	1
26	12583	LEVER HANDLE	PART	1

TESTING	-	-	-
ASSEMBLY	-	-	-
PLATING	-	-	-
POLISHING	-	NEXT ASSY	USED ON
MACHINING	-	APPLICATION	
TOOLING FIXTURE #	REMOVE ALL BURRS AND SHARP EDGES		

UNITS ARE: INCHES [MM]  
TOLERANCES ARE:  
FRACTIONS DECIMALS ANGLES  
±1/16" .X ±.1 [2.5] ±1°  
.XX ±.06 [1.5]

(X.XXX) DENOTES CRITICAL DIMS.  
ALL THREADS ARE CRITICAL

DRAWN VINAY 09/23/16  
CHECKED RAVINDRA 09/23/16  
APPROVED H.LE 09/23/16

**BRASSTECH** 2001 CARNEGIE AVE.  
INCORPORATED SANTA ANA, CA 92705  
(949) 417-5207

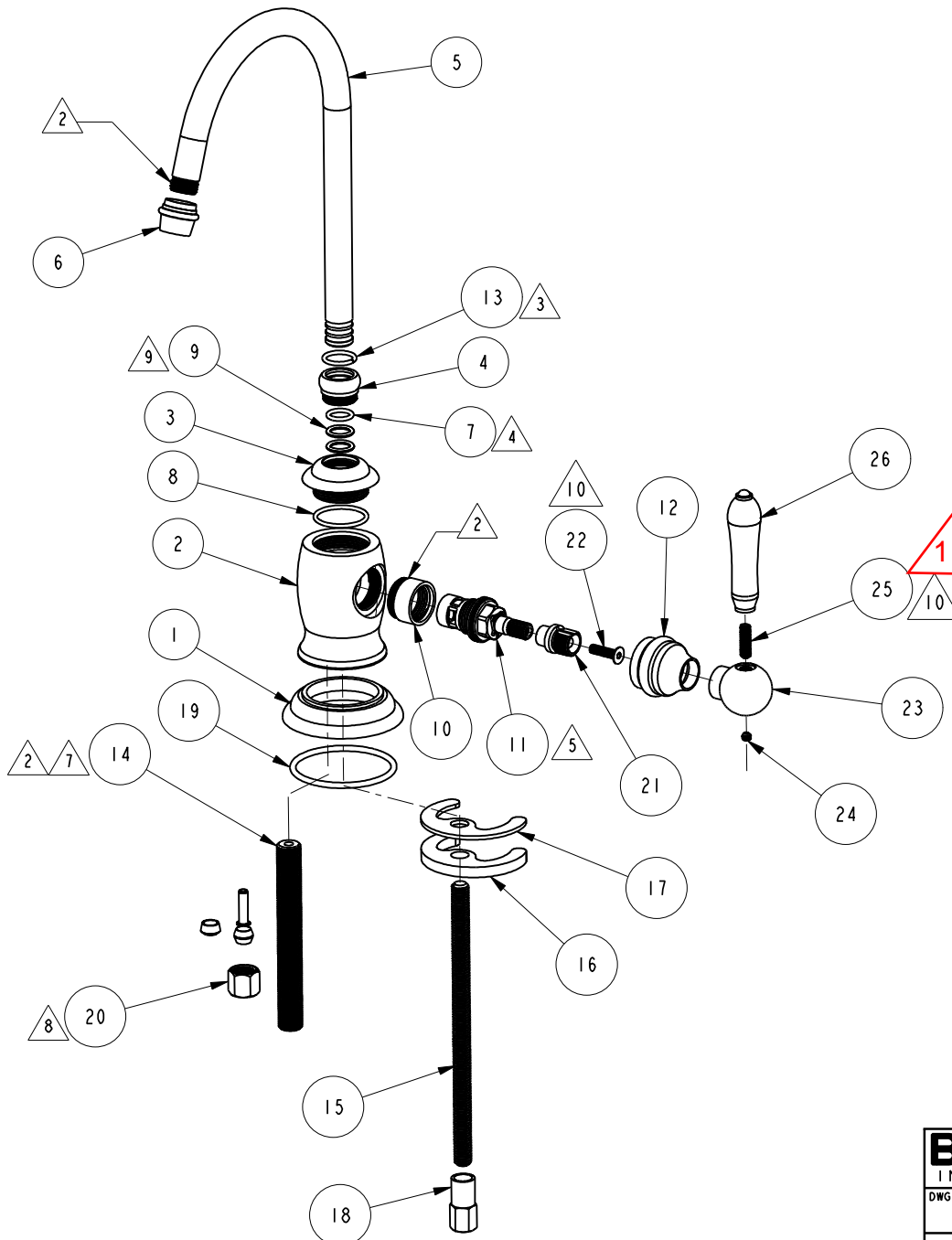
**COLD WATER DISP, LEVER  
TRAD**

DWG NO. 1030-5623 REV A

SCALE .300 REF. - SHEET 1 OF 3

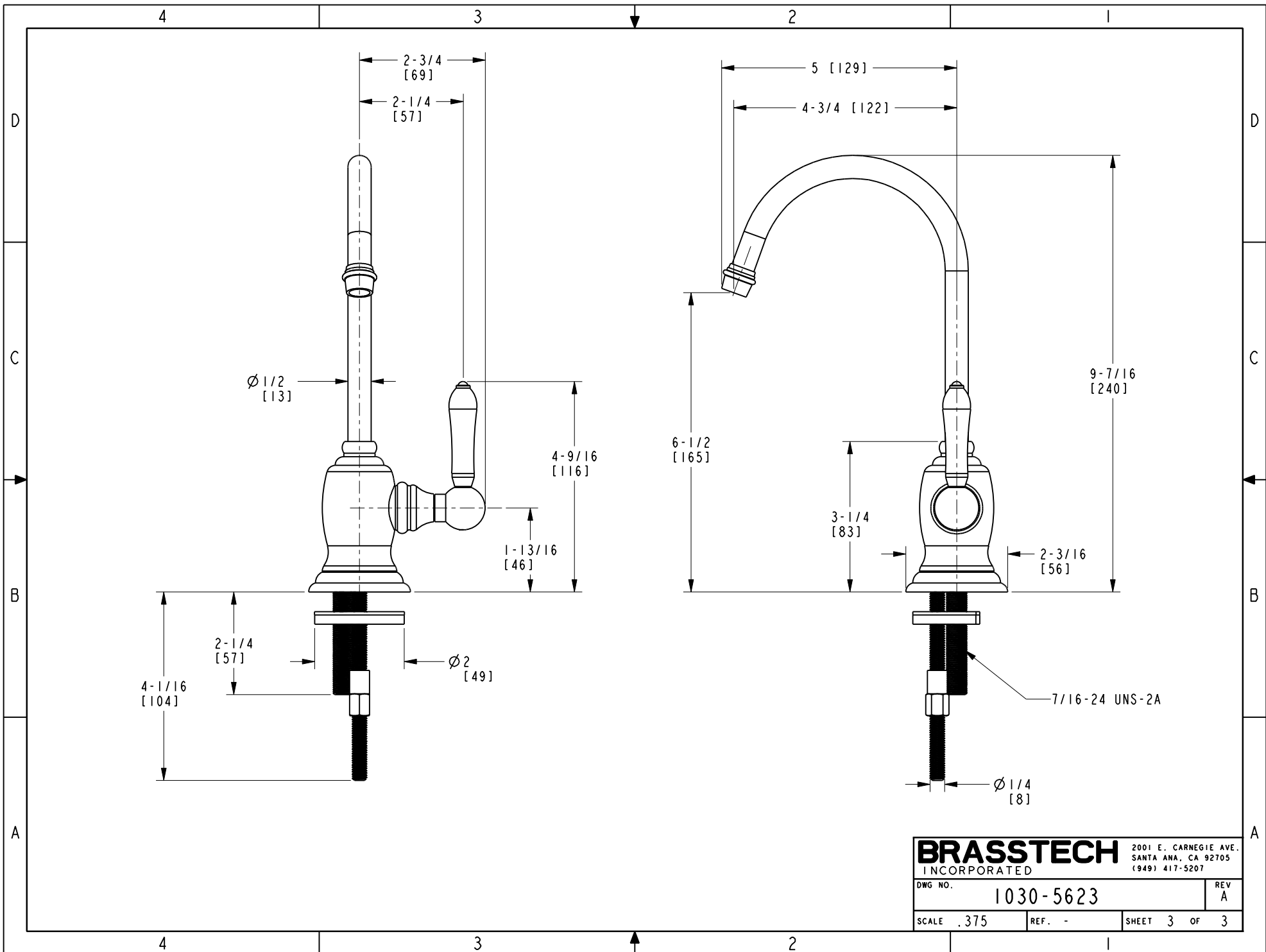
COPYRIGHT 2005 BRASSTECH, INC.  
THESE DRAWINGS AND THE DESIGNS  
DEPICTED HEREIN ARE THE PROPRIETARY  
PROPERTY OF BRASSTECH. ANY USE  
OR REPRODUCTION IS SUBJECT TO  
THE EXPRESS APPROVAL OF BRASSTECH.  
UNAUTHORIZED USE IS STRICTLY  
PROHIBITED. ALL RIGHTS RESERVED.

-	A	EN-3240	01/05/17	V.V.
-	-	EN-2980i	10/4/16	J.A.
ZONE	REV	DESCRIPTION	DATE	APPROVED



JM  
04/24/2018

<b>BRASSTECH</b>		2001 E. CARNEGIE AVE. SANTA ANA, CA 92705 (949) 417-5207	
DWG NO.	1030-5623	REV	A
SCALE	.313	REF.	-
		SHEET	2 OF 3



<b>BRASSTECH</b>		2001 E. CARNEGIE AVE. SANTA ANA, CA 92705 (949) 417-5207	
DWG NO.	1030-5623	REV	A
SCALE	.375	REF.	-
		SHEET	3 OF 3