

4

3

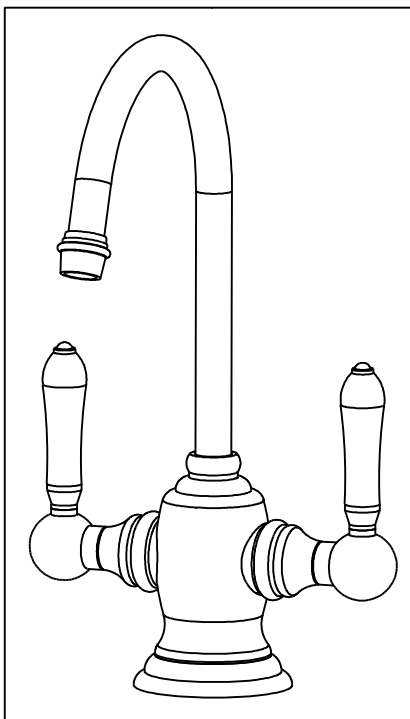
2

1

NOTES:

- (N1) 1. FIT / FORM / FUNCTION SHALL FOLLOW PS-E.008.
2. APPLY LOCTITE 680.
3. CUT AND SHORTEN O-RING BY .13" TO .20" IN LENGTH BEFORE INSTALLING.
4. SLIT O-RING BEFORE INSTALLING.
5. APPLY LOCTITE 242.
- (N6) 6. CONNECT CLEAR AND RED TUBINGS TOGETHER AND WATER TEST WHOLE UNIT.
7. BAG 5-035 IN A SEPARATE BAG.
- (N8) 8. REWORK CARTRIDGE ASSY IF THE HANDLE DOES NOT RETURN TO THE "OFF" POSITION AUTOMATICALLY AFTER WATER TESTING.
9. INSTALLATION TORQUE: 8-14 LB-FT.
10. INSTALLATION TORQUE: 30 LB-FT.
11. PRE-CRIMPED THESE PARTS TOGETHER. SEE INSTALLATION INSTRUCTION.
12. LUBRICATE SPRING WITH DOW CORNING III.
13. APPLY THIN FILM OF DOW CORNING III.

14 **INSTALLATION TORQUE 10-14 LB-IN**



BILL OF MATERIAL (CURRENT LEVEL)

ITEM	PT/ASSY	DESCRIPTION	TYPE	QTY.
1	12716	ESCUTCHEON	PART	1
2	50744	WATER DISP. BODY H/C (TRAD)	PART	1
3	50714	WATER DISP. CAR.T HOLDER	PART	2
4	50705	WATER DISP BODY CAP	PART	1
5	50706	WATER DISP SPOUT RET RING	PART	1
6	50713	SPOUT, WATER DISP. (TRAD.)	PART	1
7	50712	WATER DISP SPOUT SHELL	PART	1
8	91382	O-RING, #2- 012, TEFLON,	PART	1
9	91217	O-RING, #2-020, EPDM, 65-75 DURO, NSF 61	PART	1
10	91017	O-RING, #2- 012, EPDM, 65-75 DURO, NSF 61	PART	2
11	1-134	CARTR 3/8 HOT 1/4 TR	PART	1
12	50708	WATER DISP HDL BONNET (TRAD)	PART	2
13	91377	TUBE, BLUE, .250 OD X 4 FT	PART	1
14	50770	NIPPLE	PART	1
15	10174	NUT, QUICK CONNECT	PART	1
16	91376	TUBE, RED, .250 OD X 4 FT	PART	1
17	50768	RETAINER PLATE	PART	1
18	50068	INSERT, HOSE	PART	3
19	91100	O-RING, #2-006, EPDM, 65-75 DURO	PART	3
20	91378	TUBE, HIGH TEMP, .250 OD X 4 FT	PART	1
21	91383	O-RING, #2- 014, TEFLON, NSF 61	PART	1
22	5-035	COUPLING & INSERT ASM	ASSEMBLY	1
23	98043	TAG LABEL, HOT WATER WARNING	PART	1
24	92016	SCRW, 10-24 X 3/4 SKT HD FLT PT SS	PART	2
25	91394	O-RING, #2-132, EPDM, 65-75 DURO	PART	1
26	11833	ADAPTER	PART	1
27	92477	SCRW, M4 X 16 SKT FLT HD SS	PART	1
28	12589	WATER DISP LEVER HUB (TRAD)	PART	2
29	92000	SCREW 8 - 32 X 1/8 SS	PART	2
30	91373	BLUE IDENTIFIER	PART	1
31	92192	SCRW, 10-32 X 5/8 SKT HD CUP PT SS	PART	2
32	12583	LEVER HANDLE	PART	2
33	5-061	ADAPTER/CARTRIDGE ASSY	ASSEMBLY	1
34	50066	COMPRESSION RING, 1/2	PART	3
35	91374	RED IDENTIFIER	PART	1

TESTING	-	-	-
ASSEMBLY	-	-	-
PLATING	-	-	-
POLISHING	-	NEXT ASSY	USED ON
MACHINING	-	APPLICATION	
TOOLING FIXTURE #	REMOVE ALL BURRS AND SHARP EDGES		

UNITS ARE: INCHES [MM]		
TOLERANCES ARE:		
FRACTIONS	DECIMALS	ANGLES
±1/16"	.X ±.1 [2.5]	±1°
	.XX ±.06 [1.5]	
(X.XXX) DENOTES CRITICAL DIMS.		
ALL THREADS ARE CRITICAL		
DRAWN	AMARISH	09/22/16
CHECKED	RAVINDRA	09/22/16
APPROVED	V. VU	09/22/16

BRASSTECH 2001 CARNEGIE AVE.
SANTA ANA, CA 92705
(949) 417-5207

INCORPORATED
H & C WATER DISP, LEVER
TRAD

DWG NO.	1030-5603	REV	A
SCALE	.375	REF.	-
SHEET 1		OF 3	

COPYRIGHT 2005 BRASSTECH, INC. THESE DRAWINGS AND THE DESIGNS DEPICTED HEREIN ARE THE PROPRIETARY PROPERTY OF BRASSTECH. ANY USE OR REPRODUCTION IS SUBJECT TO THE EXPRESS APPROVAL OF BRASSTECH. UNAUTHORIZED USE IS STRICTLY PROHIBITED. ALL RIGHTS RESERVED.

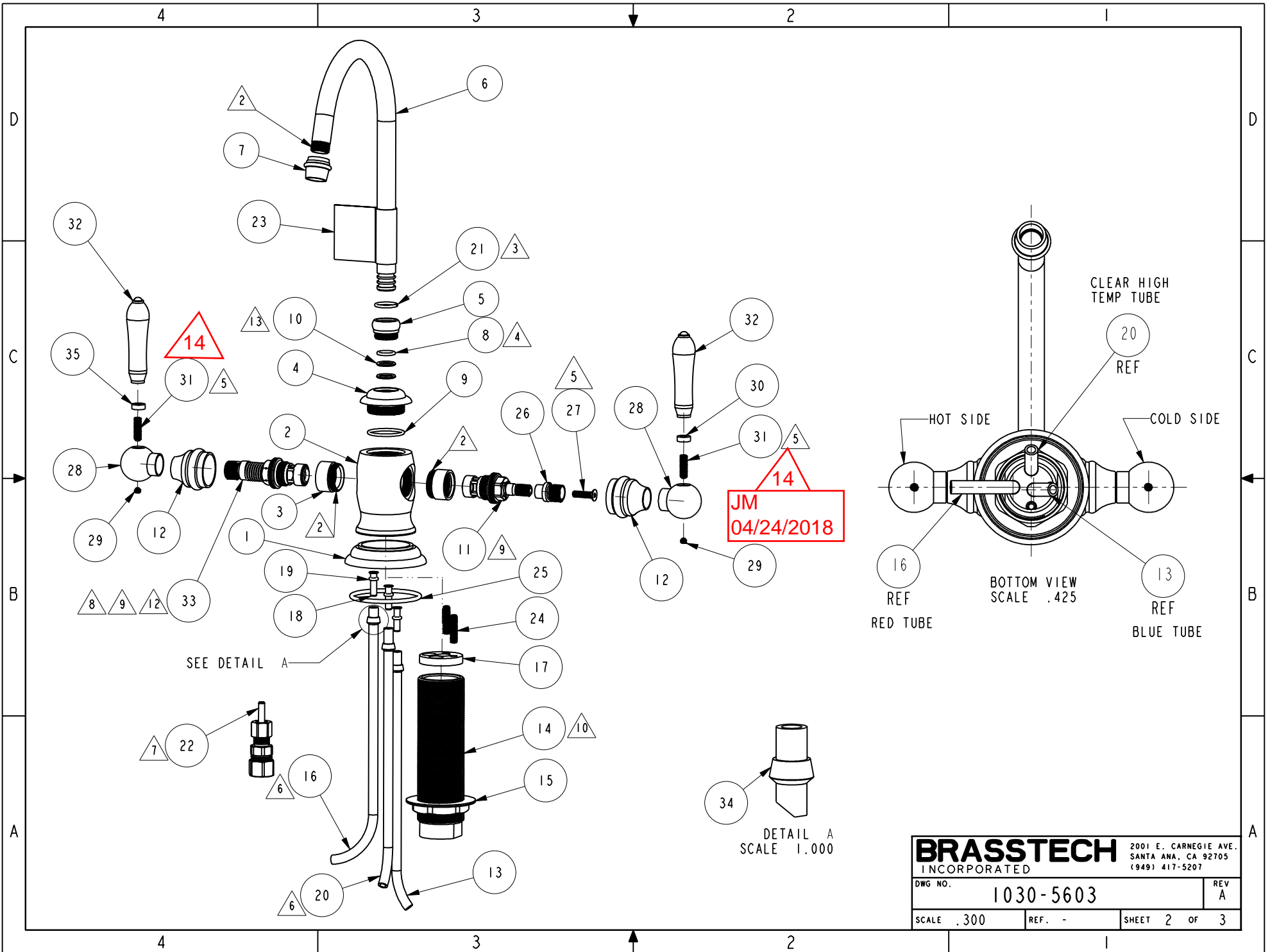
ZONE	REV	DESCRIPTION	DATE	APPROVED
-	A	EN-3240	01/05/17	V. V.
-	-	EN-2980i	10/4/16	J. A.

4

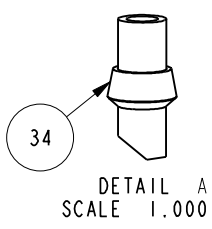
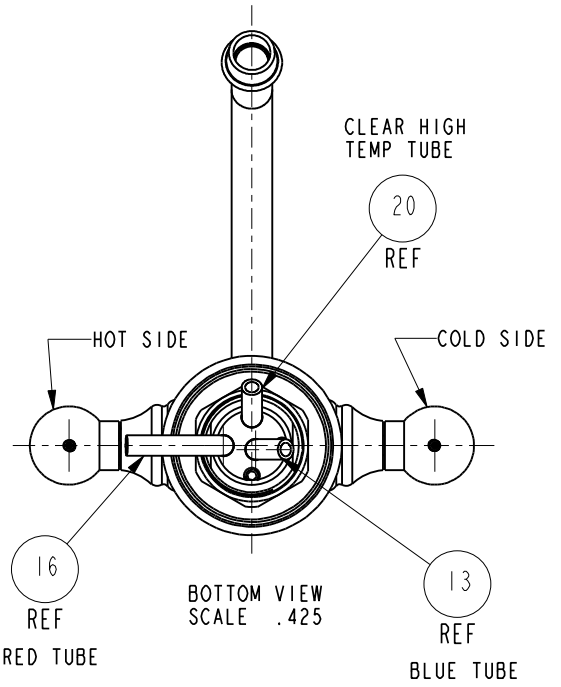
3

2

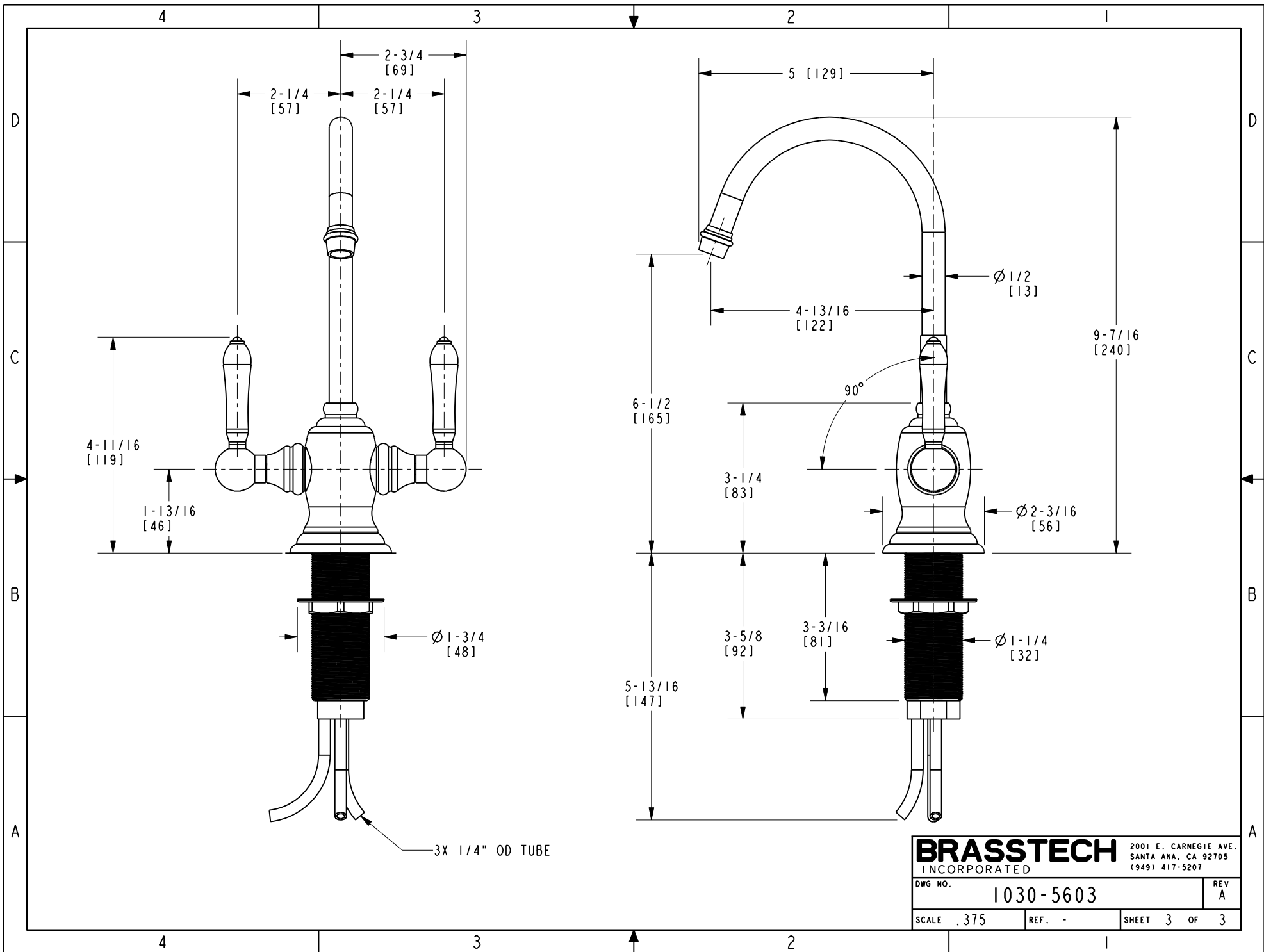
1



JM
04/24/2018



BRASSTECH		2001 E. CARNEGIE AVE. SANTA ANA, CA 92705 (949) 417-5207	
DWG NO.	1030-5603	REV	A
SCALE .300	REF. -	SHEET 2	OF 3



BRASSTECH		2001 E. CARNEGIE AVE.	
INCORPORATED		SANTA ANA, CA 92705	
DWG NO. 1030-5603		REV A	
SCALE .375	REF. -	SHEET 3 OF 3	