

**AXOR Starck**  
**AXOR Starck Single-Hole Faucet, 1.2 GPM**  
 Finishes : **chrome** Part no. : **10111001**



## Description

### Features

- Aerated spray
- Flow: 1.2 GPM (4.5 L/Min)
- Joystick ceramic cartridge
- Includes pop-up drain

## Item details

### Technology



### Design awards



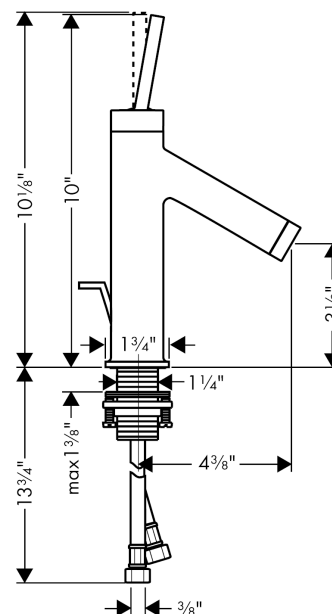
### Compliance



## Product image



## Scale drawing

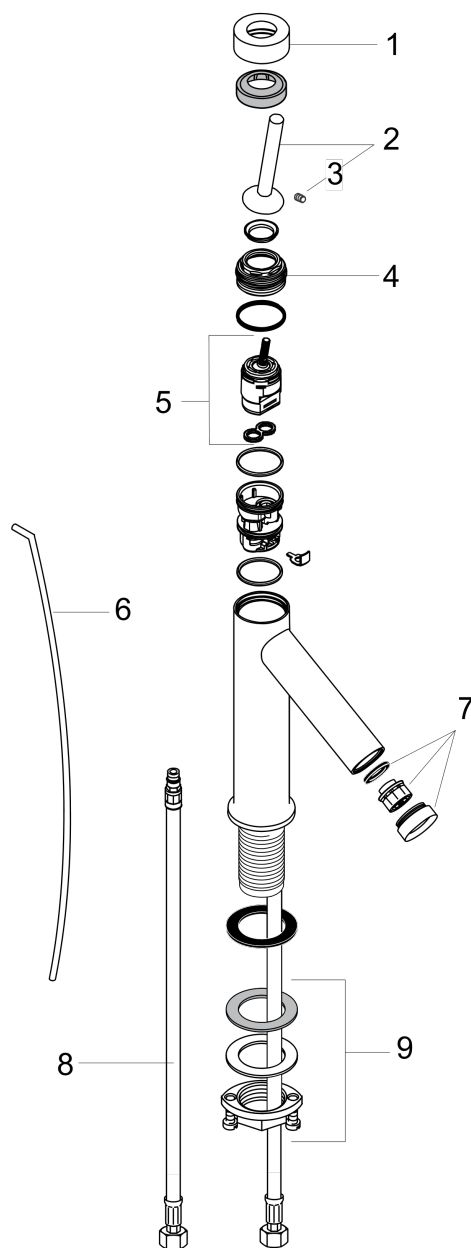


**AXOR Starck**  
**AXOR Starck Single-Hole Faucet, 1.2 GPM**  
Finishes : **chrome**    Part no. : **10111001**



## Exploded drawing

Year of production: >07/16



**AXOR Starck**  
**AXOR Starck Single-Hole Faucet, 1.2 GPM**  
 Finishes : **chrome**    Part no. : **10111001**



## Spare parts list

Year of production: >07/16

Pos.	Description	Part no.	Price	PU
1	flange	97155000	-	1
2	handle	10092000	-	1
3	hollow set screw M4x6	97767000	-	1
4	nut	97157000	-	1
5	cartridge, assy	96339000	-	1
6	pull rod	97158000	-	1
7	aerator M24x1 (4,5 l/min)	92812000	-	1
8	connection hose 18½" M8x0,75 3/8"	96321001	-	1
9	fixing set (Ø 32)	13961000	-	1
a	pop up waste	94159000	-	1
b	service tool for disassembling the handle	92124000	-	1