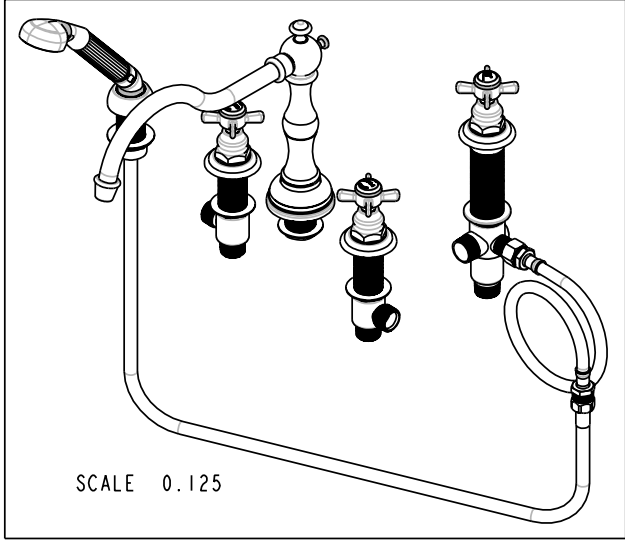


BILL OF MATERIAL (CURRENT LEVEL)

ITEM	PT/ASSY	DESCRIPTION	TYPE	QTY.
1	3-1007	TRIM KIT, 3-1007	ASSEMBLY	1
2	1-503	ROMAN TUB 3-VALVE ROUGH	ASSEMBLY	1



COPYRIGHT 2005 BRASSTECH, INC. THESE DRAWINGS AND THE DESIGNS DEPICTED HEREIN ARE THE PROPRIETARY PROPERTY OF BRASSTECH. ANY USE OR REPRODUCTION IS SUBJECT TO THE EXPRESS APPROVAL OF BRASSTECH. UNAUTHORIZED USE IS STRICTLY PROHIBITED. ALL RIGHTS RESERVED.

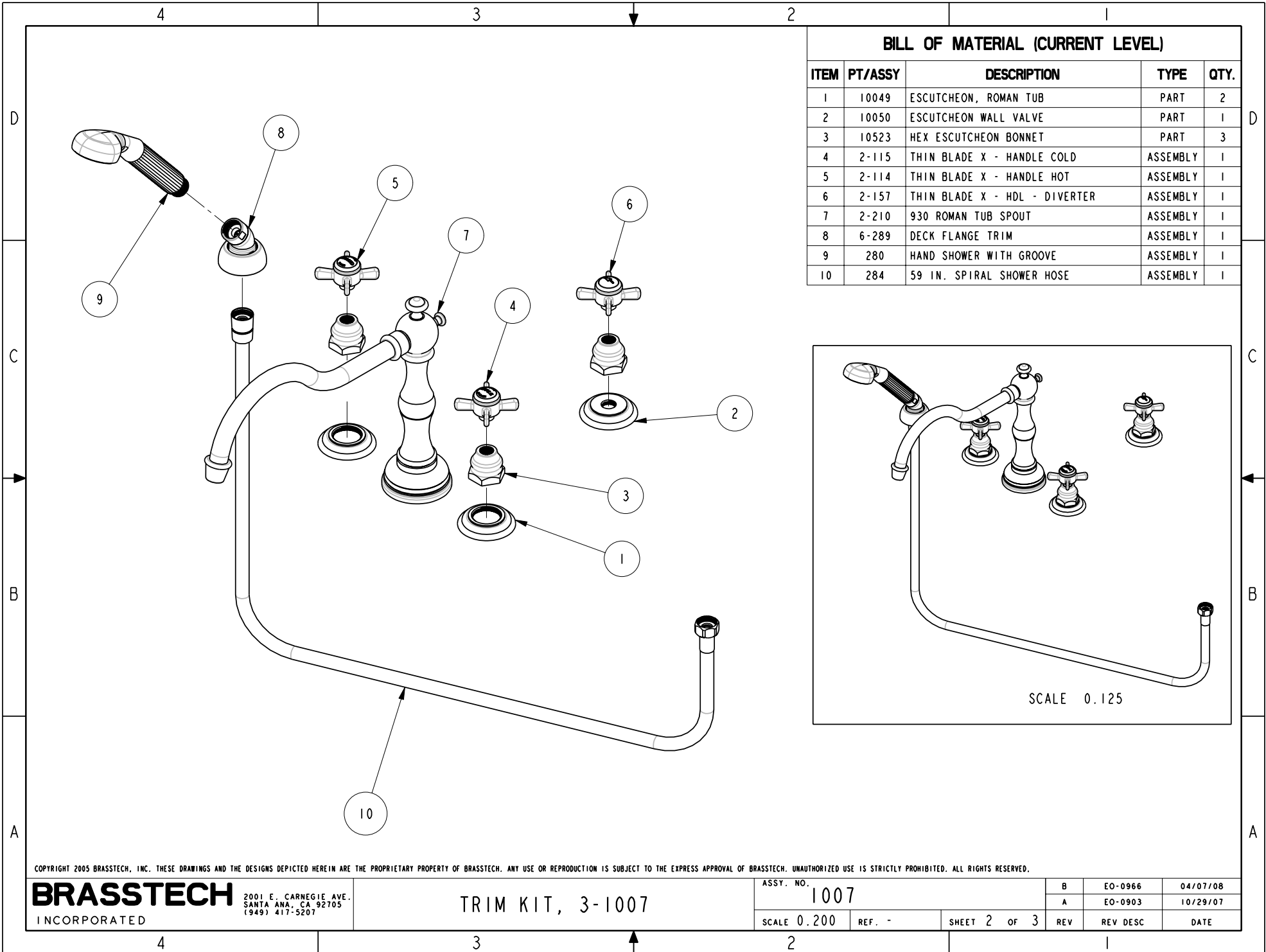
BRASSTECH
INCORPORATED

2001 E. CARNEGIE AVE.
SANTA ANA, CA 92705
(949) 417-5207

ROMAN TUB WITH HAND SHOWER

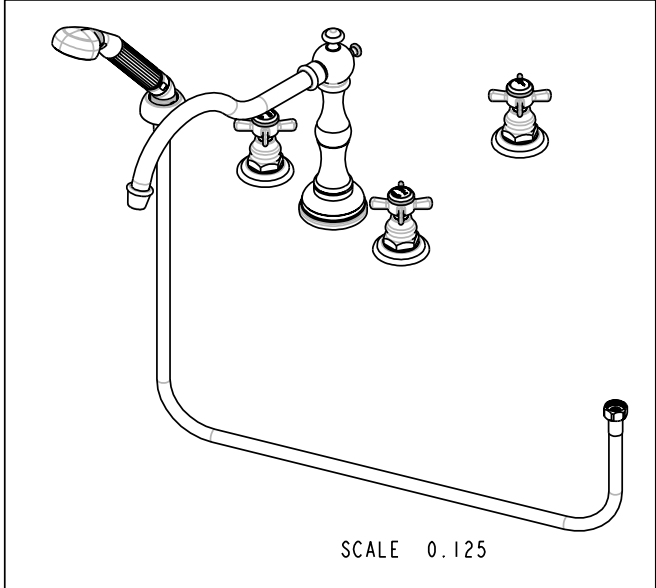
ASSY. NO.	1007		
SCALE 0.200	REF. -	SHEET 1 OF 3	REV
			REV DESC
			DATE

B	EO-0966	04/07/08
A	EO-0903	10/29/07



BILL OF MATERIAL (CURRENT LEVEL)

ITEM	PT/ASSY	DESCRIPTION	TYPE	QTY.
1	10049	ESCUTCHEON, ROMAN TUB	PART	2
2	10050	ESCUTCHEON WALL VALVE	PART	1
3	10523	HEX ESCUTCHEON BONNET	PART	3
4	2-115	THIN BLADE X - HANDLE COLD	ASSEMBLY	1
5	2-114	THIN BLADE X - HANDLE HOT	ASSEMBLY	1
6	2-157	THIN BLADE X - HDL - DIVERTER	ASSEMBLY	1
7	2-210	930 ROMAN TUB SPOUT	ASSEMBLY	1
8	6-289	DECK FLANGE TRIM	ASSEMBLY	1
9	280	HAND SHOWER WITH GROOVE	ASSEMBLY	1
10	284	59 IN. SPIRAL SHOWER HOSE	ASSEMBLY	1



COPYRIGHT 2005 BRASSTECH, INC. THESE DRAWINGS AND THE DESIGNS DEPICTED HEREIN ARE THE PROPRIETARY PROPERTY OF BRASSTECH. ANY USE OR REPRODUCTION IS SUBJECT TO THE EXPRESS APPROVAL OF BRASSTECH. UNAUTHORIZED USE IS STRICTLY PROHIBITED. ALL RIGHTS RESERVED.

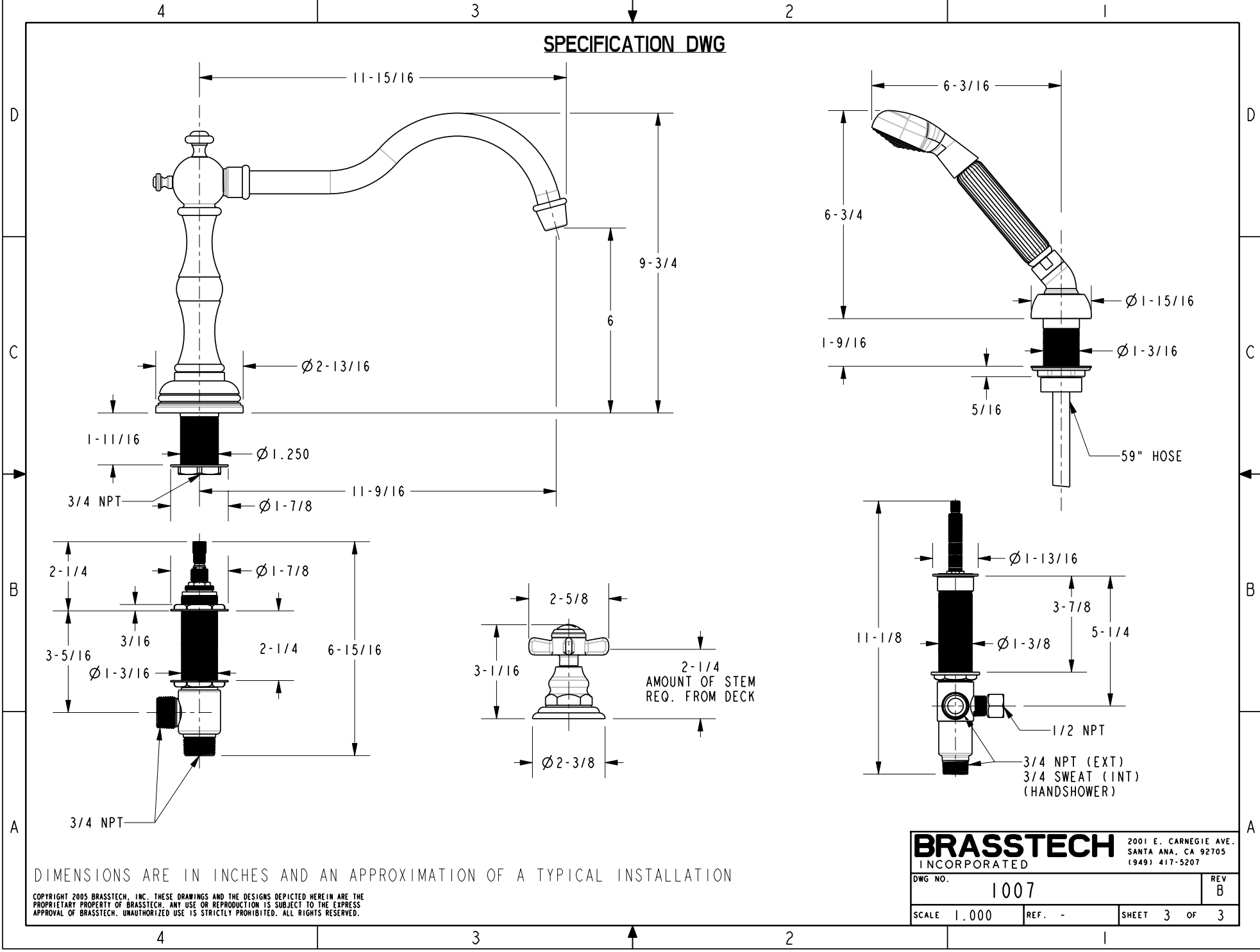
BRASSTECH
INCORPORATED
2001 E. CARNEGIE AVE.
SANTA ANA, CA 92705
(949) 417-5207

TRIM KIT, 3-1007

ASSY. NO.	1007		
SCALE 0.200	REF. -	SHEET 2 OF 3	REV
			REV DESC
			DATE

B	EO-0966	04/07/08
A	EO-0903	10/29/07

SPECIFICATION DWG



DIMENSIONS ARE IN INCHES AND AN APPROXIMATION OF A TYPICAL INSTALLATION

COPYRIGHT 2005 BRASSTECH, INC. THESE DRAWINGS AND THE DESIGNS DEPICTED HEREIN ARE THE PROPRIETARY PROPERTY OF BRASSTECH. ANY USE OR REPRODUCTION IS SUBJECT TO THE EXPRESS APPROVAL OF BRASSTECH. UNAUTHORIZED USE IS STRICTLY PROHIBITED. ALL RIGHTS RESERVED.

BRASSTECH		2001 E. CARNEGIE AVE.	
INCORPORATED		SANTA ANA, CA 92705	
		(949) 417-5207	
DWG NO.	1007	REV	B
SCALE	1.000	REF.	-
		SHEET	3 OF 3