

**AXOR Starck**  
**AXOR Starck Classic Single-Hole Faucet, 1.2 GPM**  
 Finishes : **brushed nickel** Part no. : **10010821**



## Description

### Features

- Aerated spray
- Flow: 1.2 GPM (4.5 L/Min)
- Joystick ceramic cartridge
- Includes pop-up drain

## Item details

### Technology



### Design awards

**DESIGN PLUS**

powered by: **ISH**



reddot design award

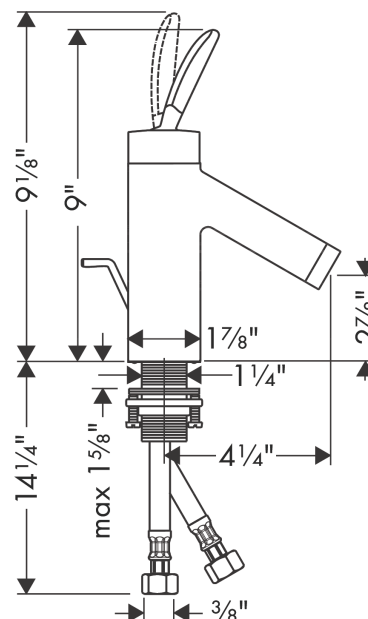
### Compliance



## Product image



## Scale drawing

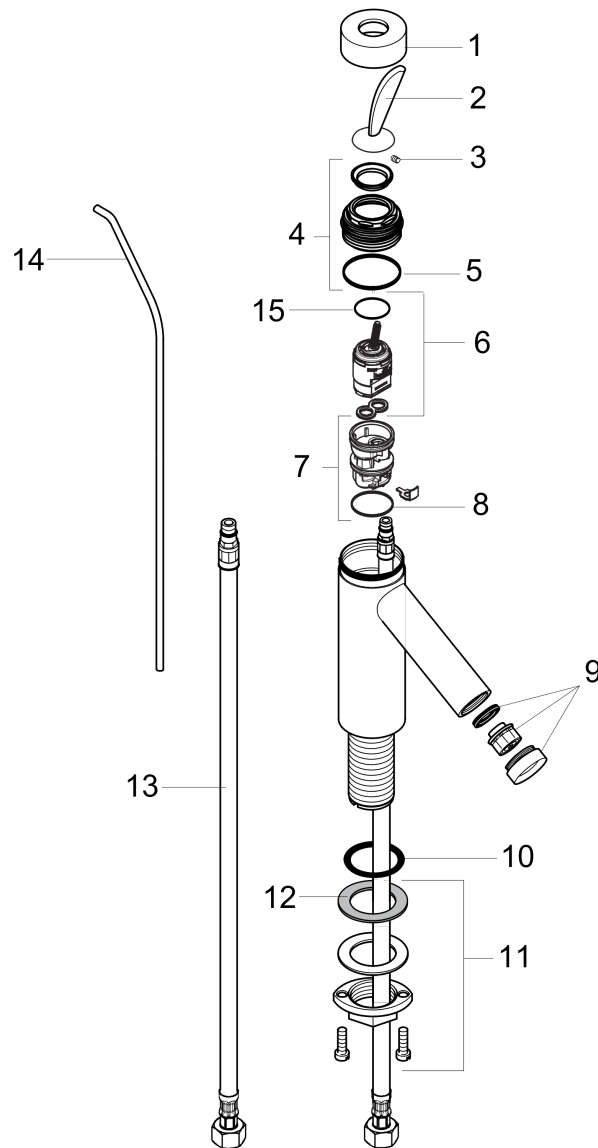


**AXOR Starck**  
**AXOR Starck Classic Single-Hole Faucet, 1.2 GPM**  
Finishes : **brushed nickel** Part no. : **10010821**



## Exploded drawing

Year of production: >07/16



**AXOR Starck**  
**AXOR Starck Classic Single-Hole Faucet, 1.2 GPM**  
 Finishes : **brushed nickel** Part no. : **10010821**



## Spare parts list

Year of production: >07/16

Pos.	Description	Part no.	Price	PU
1	flange	96427820	-	1
2	handle	10090820	-	1
3	hollow set screw M4x6	97767000	-	1
4	nut	97157000	-	1
5	O-Ring 30x2	98186000	-	1
6	cartridge, assy	96339000	-	1
7	adapter for cartridge	97396000	-	1
8	O-ring 26x2	98147000	-	1
9	aerator M24x1 (4,5 l/min)	92812820	-	1
10	O-ring 34x4	98155000	-	1
11	fixing set (Ø 32)	13961000	-	1
12	lever collar	97548000	-	1
13	connection hose 18½" M8x0,75 3/8"	96321001	-	1
14	pop up rod	94006820	-	1
a	service tool	98755000	-	1
b	pop up waste	88509820	-	1