

AXOR Starck
AXOR Starck Classic Single-Hole Faucet, 1.2 GPM
 Finishes : **chrome** Part no. : **10010001**



Description

Features

- Aerated spray
- Flow: 1.2 GPM (4.5 L/Min)
- Joystick ceramic cartridge
- Includes pop-up drain

Item details

Technology



Design awards



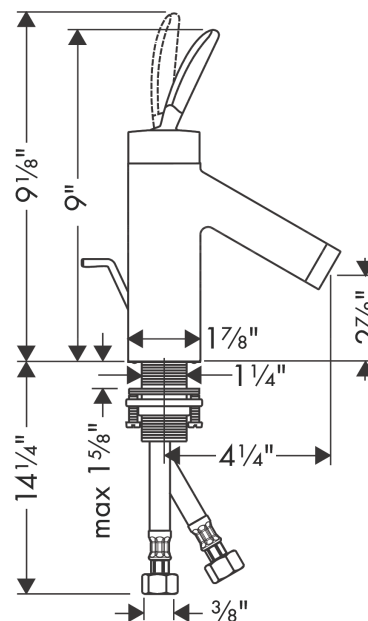
Compliance



Product image



Scale drawing

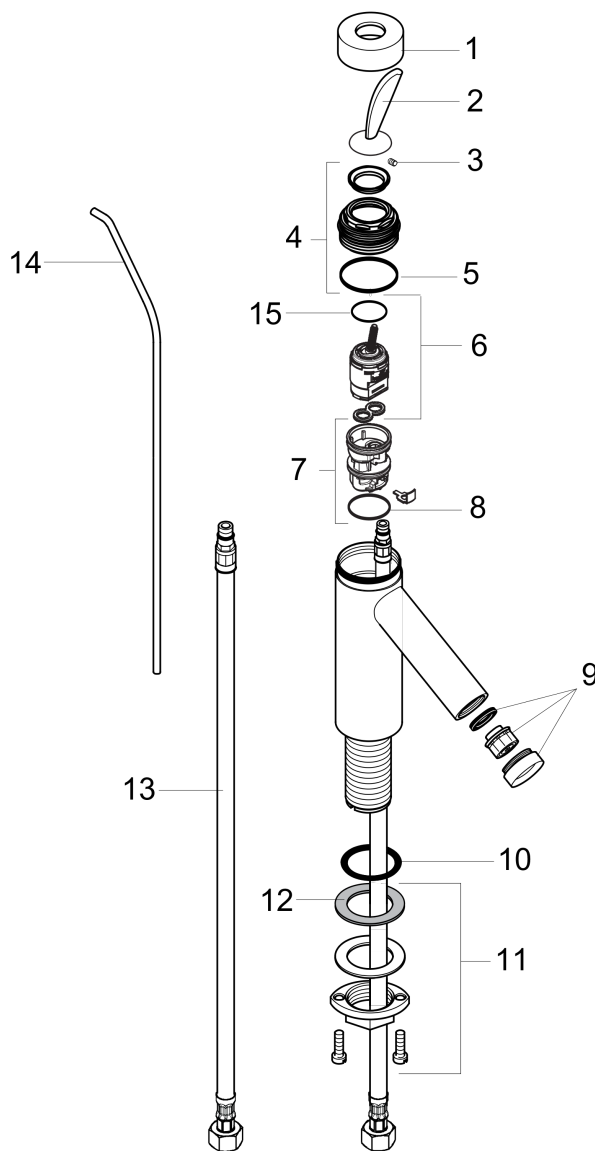


AXOR Starck
AXOR Starck Classic Single-Hole Faucet, 1.2 GPM
Finishes : **chrome** Part no. : **10010001**



Exploded drawing

Year of production: >07/16



AXOR Starck
AXOR Starck Classic Single-Hole Faucet, 1.2 GPM
 Finishes : **chrome** Part no. : **10010001**



Spare parts list

Year of production: >07/16

Pos.	Description	Part no.	Price	PU
1	flange	96427000	-	1
2	handle	10090000	-	1
3	hollow set screw M4x6	97767000	-	1
4	nut	97157000	-	1
5	O-Ring 30x2	98186000	-	1
6	cartridge, assy	96339000	-	1
7	adapter for cartridge	95289000	-	1
8	O-ring 26x2	98147000	-	1
9	aerator M24x1 (4,5 l/min)	92812000	-	1
10	O-ring 34x4	98155000	-	1
11	fixing set (Ø 32)	13961000	-	1
12	lever collar	97548000	-	1
13	connection hose 18½" M8x0,75 3/8"	96321001	-	1
14	pop up rod	94006000	-	1
15	O-ring 21,95x1,78	95169000	-	1
a	service tool	98755000	-	1
b	service tool for disassembling the handle	92124000	-	1
c	pop up waste	88509000	-	1