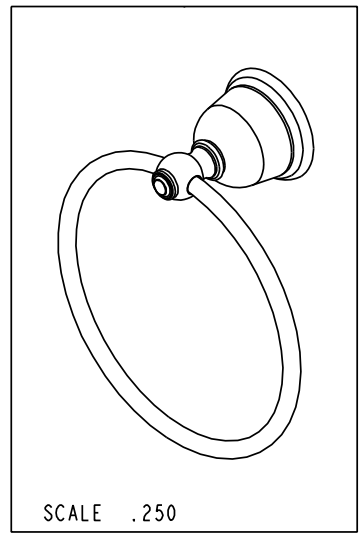
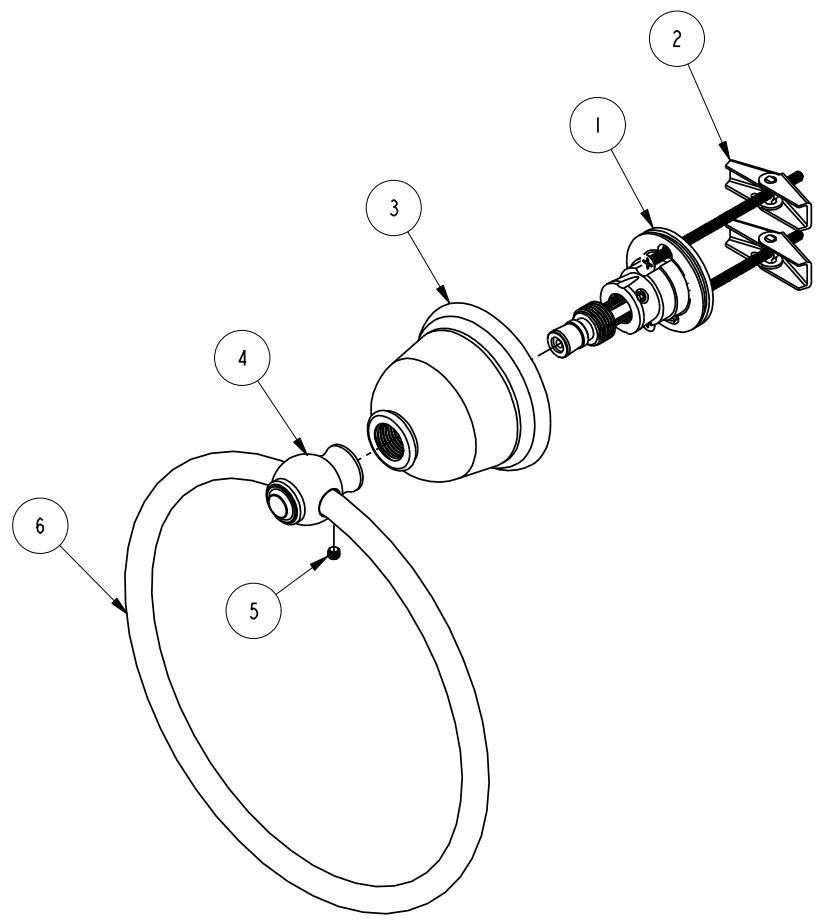


BILL OF MATERIAL (CURRENT LEVEL)				
ITEM	PT/ASSY	DESCRIPTION	TYPE	QTY.
1	1-211	ACCESSORY MTG KIT	ASSEMBLY	1
2	1-125	HARDWARE KIT	ASSEMBLY	1
3	10552	ESCUTCHEON BELL	PART	1
4	10287	TOWEL RING POST	PART	1
5	92000	SCREW 8 - 32 X 1/8 SS	PART	1
6	10127	TOWEL RING	PART	1



COPYRIGHT 2005 BRASSTECH, INC. THESE DRAWINGS AND THE DESIGNS DEPICTED HEREIN ARE THE PROPRIETARY PROPERTY OF BRASSTECH. ANY USE OR REPRODUCTION IS SUBJECT TO THE EXPRESS APPROVAL OF BRASSTECH. UNAUTHORIZED USE IS STRICTLY PROHIBITED. ALL RIGHTS RESERVED.

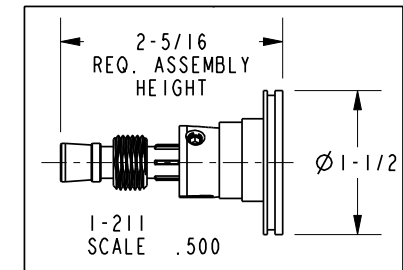
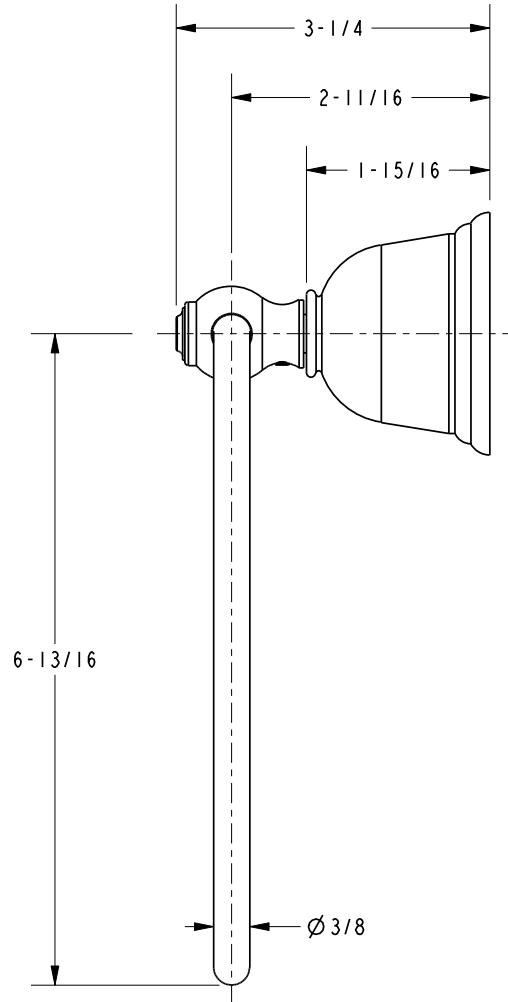
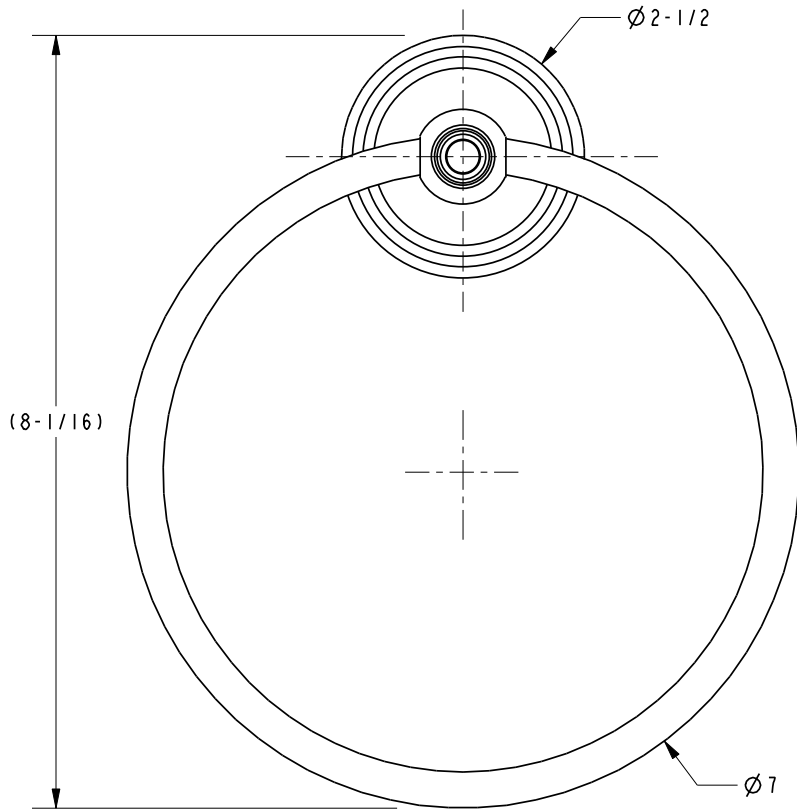
**BRASSTECH**  
INCORPORATED  
2001 E. CARNEGIE AVE.  
SANTA ANA, CA 92705  
(949) 417-5207

TOWEL RING

ASSY. NO.		10-09	
SCALE .375	REF. -	SHEET 1 OF 2	REV
			REV DESC
			DATE

B	EN-1241A	09/16/09
A	EO-0360	06/21/04
-	RELEASED	02/20/04

**SPECIFICATION DWG**



DIMENSIONS ARE IN INCHES AND AN APPROXIMATION OF A TYPICAL INSTALLATION

COPYRIGHT 2005 BRASSTECH, INC. THESE DRAWINGS AND THE DESIGNS DEPICTED HEREIN ARE THE PROPRIETARY PROPERTY OF BRASSTECH. ANY USE OR REPRODUCTION IS SUBJECT TO THE EXPRESS APPROVAL OF BRASSTECH. UNAUTHORIZED USE IS STRICTLY PROHIBITED. ALL RIGHTS RESERVED.

<b>BRASSTECH</b>		2001 E. CARNEGIE AVE. SANTA ANA, CA 92705 (949) 417-5207	
DWG NO.	10-09	REV	B
SCALE	.500	REF.	-
SHEET		2	OF 2