

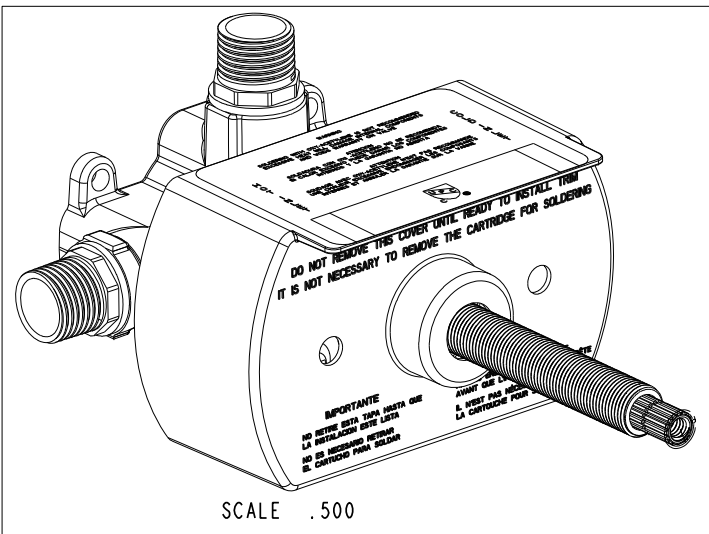
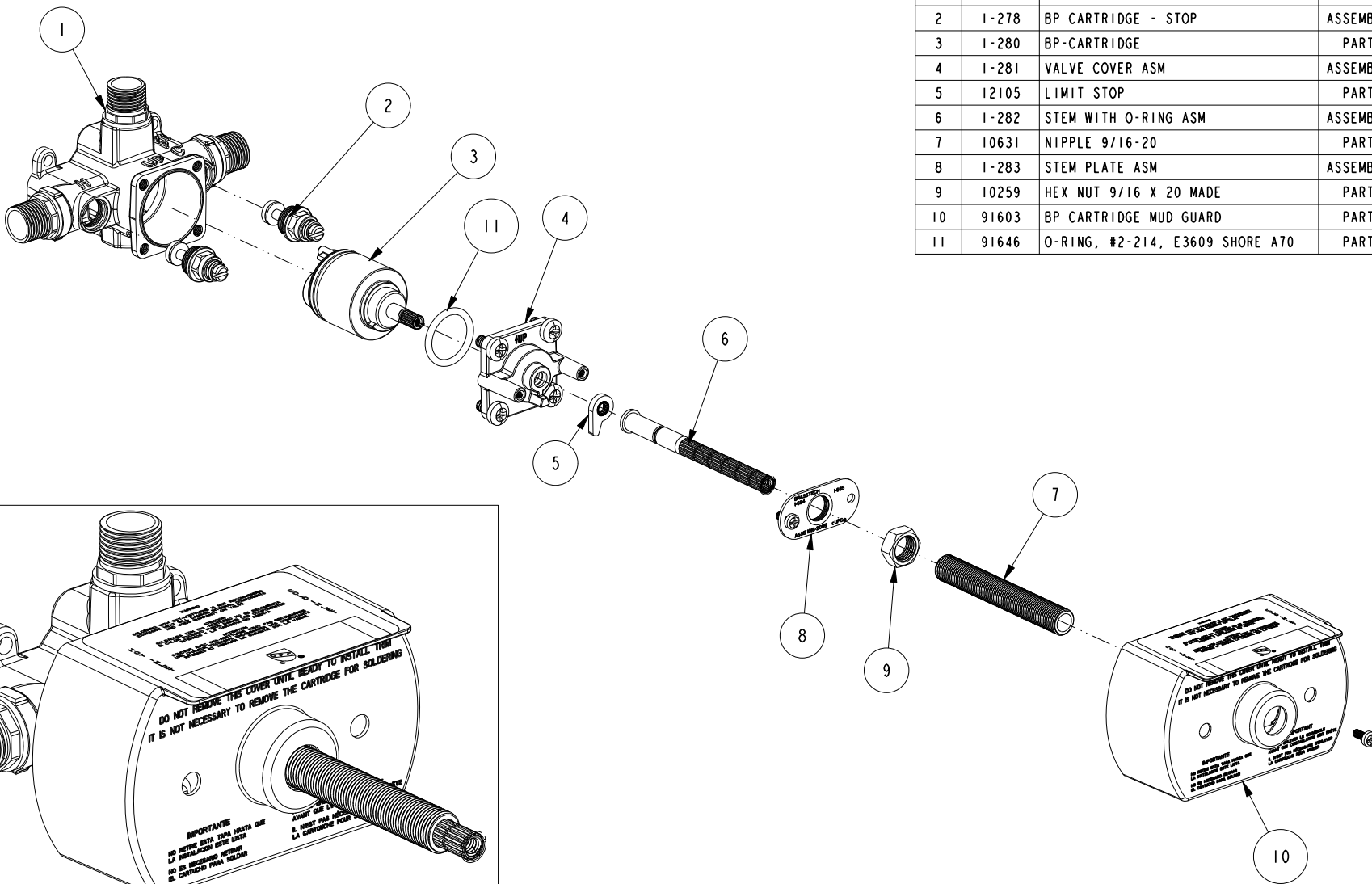
4

3

2

BILL OF MATERIAL (CURRENT LEVEL)

ITEM	PT/ASSY	DESCRIPTION	TYPE	QTY.
1	1-284	BP VALVE BODY W/ ADAPTERS	ASSEMBLY	1
2	1-278	BP CARTRIDGE - STOP	ASSEMBLY	2
3	1-280	BP-CARTRIDGE	PART	1
4	1-281	VALVE COVER ASM	ASSEMBLY	1
5	12105	LIMIT STOP	PART	1
6	1-282	STEM WITH O-RING ASM	ASSEMBLY	1
7	10631	NIPPLE 9/16-20	PART	1
8	1-283	STEM PLATE ASM	ASSEMBLY	1
9	10259	HEX NUT 9/16 X 20 MADE	PART	1
10	91603	BP CARTRIDGE MUD GUARD	PART	1
11	91646	O-RING, #2-214, E3609 SHORE A70	PART	1



COPYRIGHT 2005 BRASSTECH, INC. THESE DRAWINGS AND THE DESIGNS DEPICTED HEREIN ARE THE PROPRIETARY PROPERTY OF BRASSTECH. ANY USE OR REPRODUCTION IS SUBJECT TO THE EXPRESS APPROVAL OF BRASSTECH. UNAUTHORIZED USE IS STRICTLY PROHIBITED. ALL RIGHTS RESERVED.

BRASSTECH
INCORPORATED

2001 CARNEGIE AVE.
SANTA ANA, CA 92705
(949) 417-5207

BP VALVE ASM

ASSY. NO. 1-684

SCALE .312

REF. -

SHEET 1 OF 3

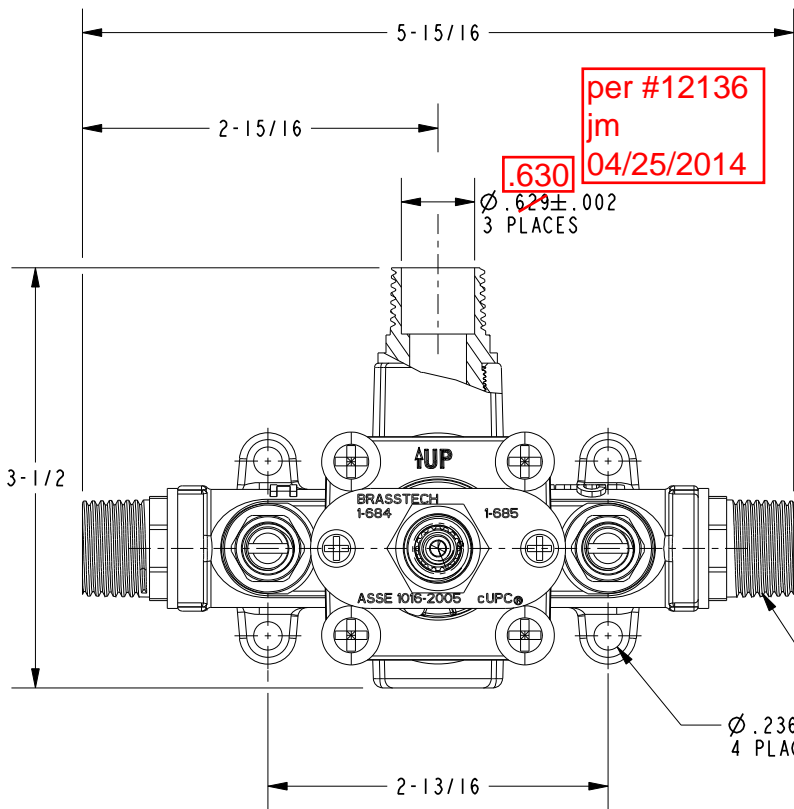
D	EN-2708	02/26/14
C	EN-2673	01/08/14
B	EN-2568	07/22/13
A	EN-2359	11/21/12
-	EN-1276	10/03/12
REV	REV DESC	DATE

4

3

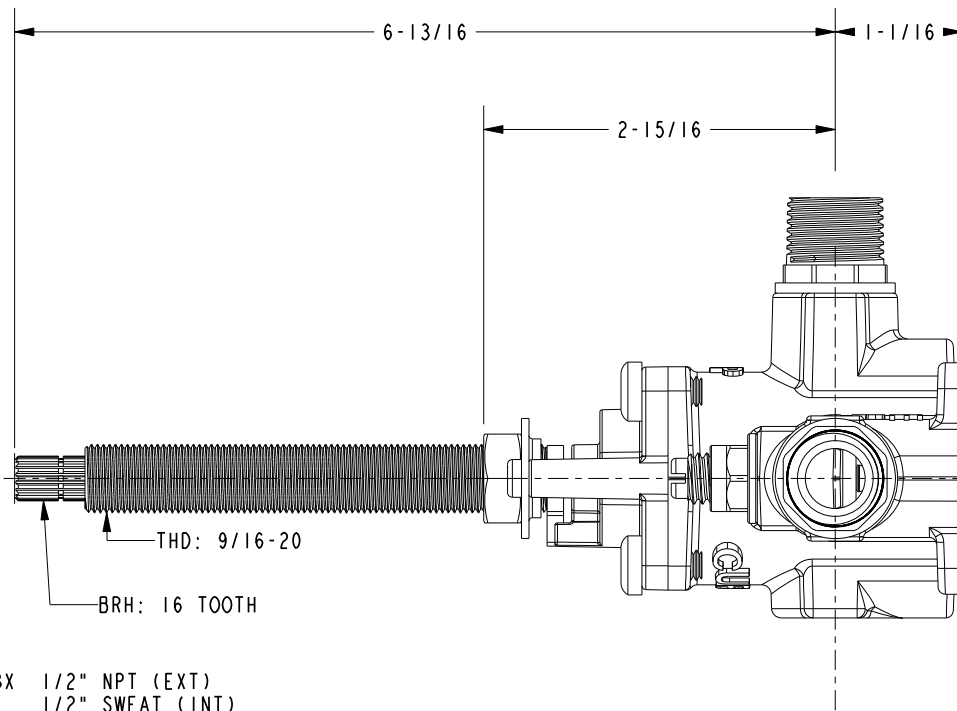
2

SPECIFICATION DWG



per #12136
jm
04/25/2014

.630



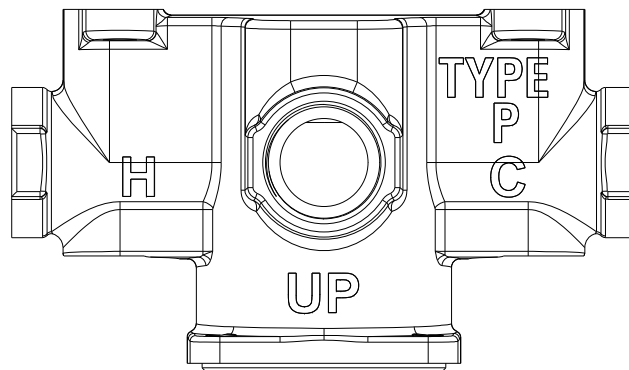
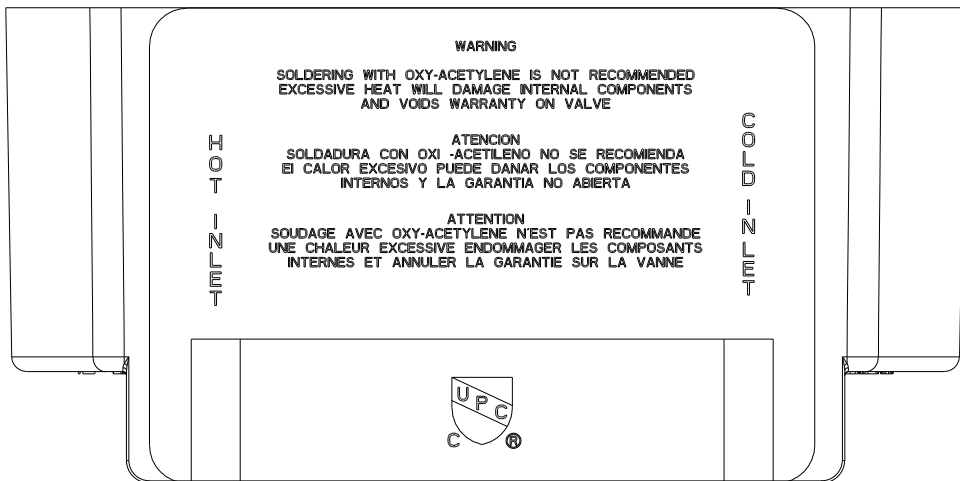
(MUD COVER IS HIDDEN IN ALL THE VIEWS)

DIMENSIONS ARE IN INCHES AND AN APPROXIMATION OF A TYPICAL INSTALLATION

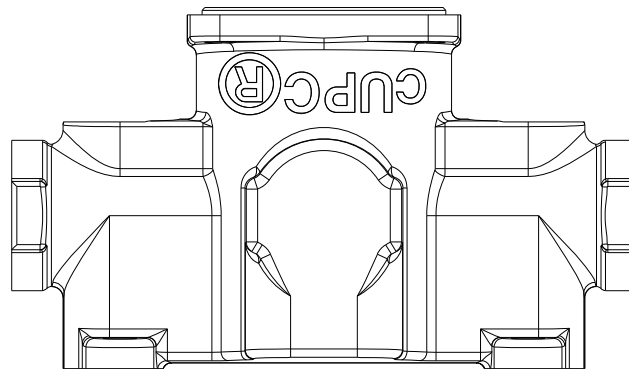
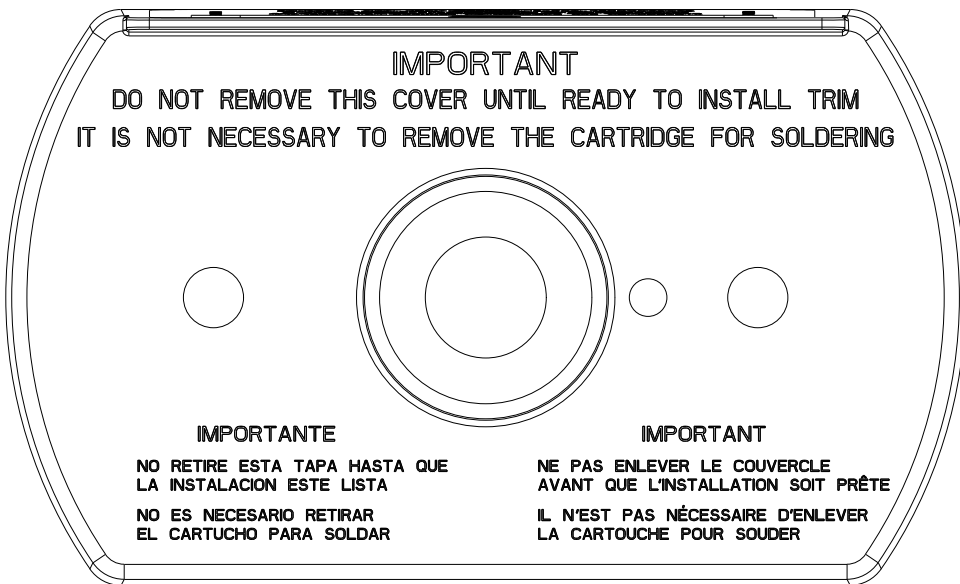
COPYRIGHT 2005 BRASSTECH, INC. THESE DRAWINGS AND THE DESIGNS DEPICTED HEREIN ARE THE PROPRIETARY PROPERTY OF BRASSTECH. ANY USE OR REPRODUCTION IS SUBJECT TO THE EXPRESS APPROVAL OF BRASSTECH. UNAUTHORIZED USE IS STRICTLY PROHIBITED. ALL RIGHTS RESERVED.

BRASSTECH		2001 CARNEGIE AVE. SANTA ANA, CA 92705 (949) 417-5207
INCORPORATED		
DWG NO.	1-684	REV D
SCALE .625	REF. -	SHEET 2 OF 3

SPECIFICATION DWG



SCALE .750



SCALE .750

DIMENSIONS ARE IN INCHES AND AN APPROXIMATION OF A TYPICAL INSTALLATION

COPYRIGHT 2005 BRASSTECH, INC. THESE DRAWINGS AND THE DESIGNS DEPICTED HEREIN ARE THE PROPRIETARY PROPERTY OF BRASSTECH. ANY USE OR REPRODUCTION IS SUBJECT TO THE EXPRESS APPROVAL OF BRASSTECH. UNAUTHORIZED USE IS STRICTLY PROHIBITED. ALL RIGHTS RESERVED.

BRASSTECH		2001 CARNEGIE AVE.
INCORPORATED		SANTA ANA, CA 92705
		(949) 417-5207
DWG NO.	1-684	REV D
SCALE 1,000	REF. -	SHEET 3 OF 3