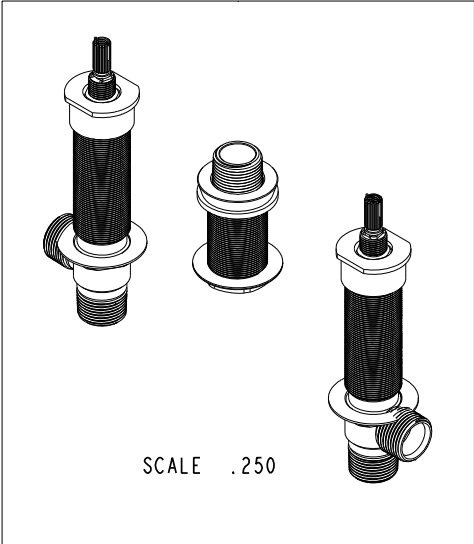
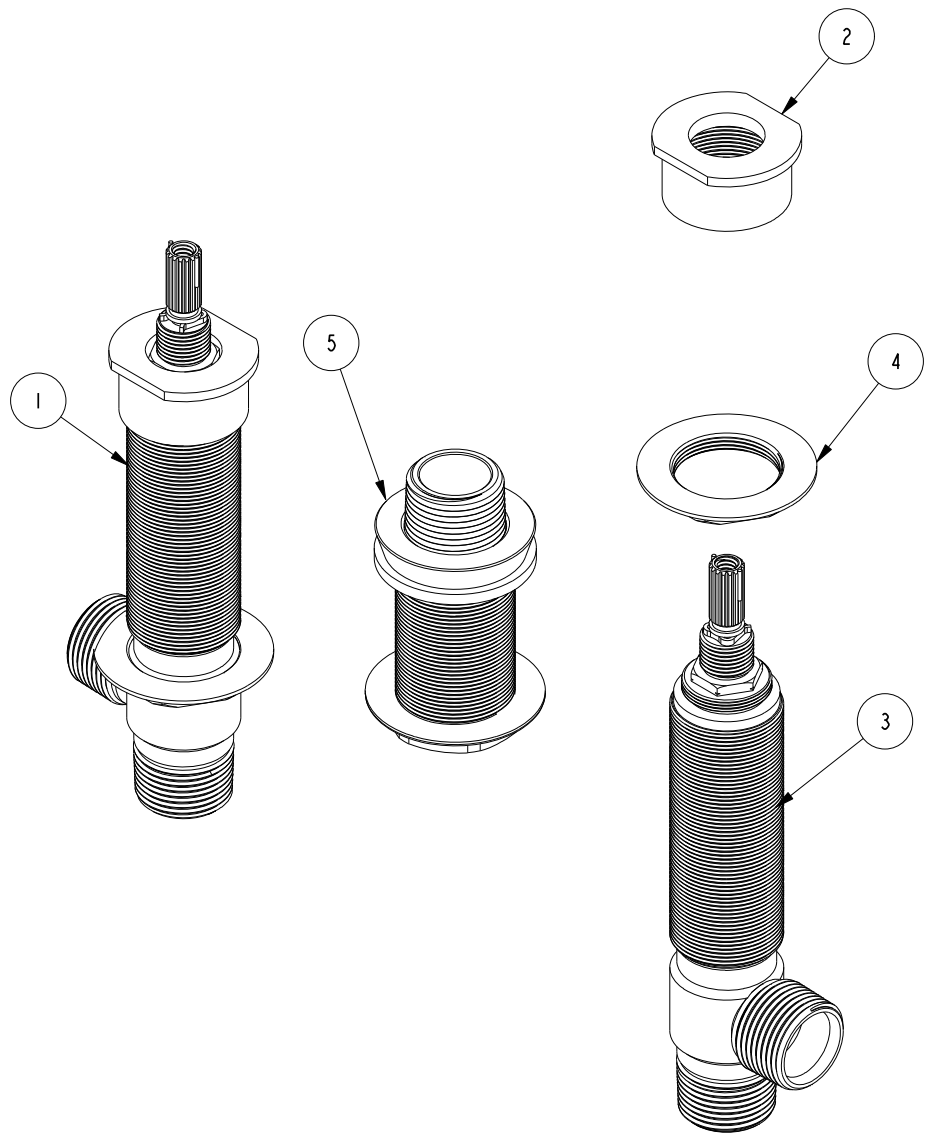


BILL OF MATERIAL (CURRENT LEVEL)				
ITEM	PT/ASSY	DESCRIPTION	TYPE	QTY.
1	1-552	R/T CART / VALVE ASSY - HOT	ASSEMBLY	1
2	12280	R/T- INVERT_FLANGE NUT	PART	2
3	1-553	R/T CARTR / VALVE ASSY - COLD	ASSEMBLY	1
4	10529	MOUNTING NUT	PART	2
5	1-016	ROMAN TUB QUICK DISCONNECT	ASSEMBLY	1



COPYRIGHT 2005 BRASSTECH, INC. THESE DRAWINGS AND THE DESIGNS DEPICTED HEREIN ARE THE PROPRIETARY PROPERTY OF BRASSTECH. ANY USE OR REPRODUCTION IS SUBJECT TO THE EXPRESS APPROVAL OF BRASSTECH. UNAUTHORIZED USE IS STRICTLY PROHIBITED. ALL RIGHTS RESERVED.

BRASSTECH
INCORPORATED
2001 E. CARNEGIE AVE.
SANTA ANA, CA 92705
(949) 417-5207

ROMAN TUB VALVE ROUGH

ASSY. NO.	1-665		A	EN-2541-1	09/05/14
SCALE	.500	REF.	-	EN-1265	10/12/09
SHEET	1	OF	1	REV	REV DESC
					DATE