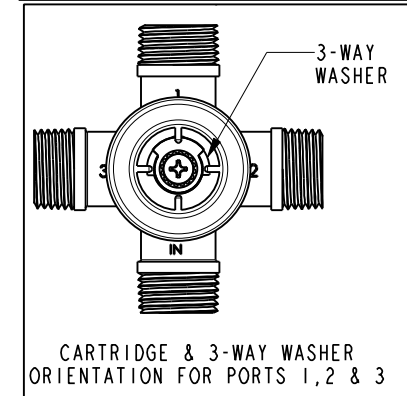
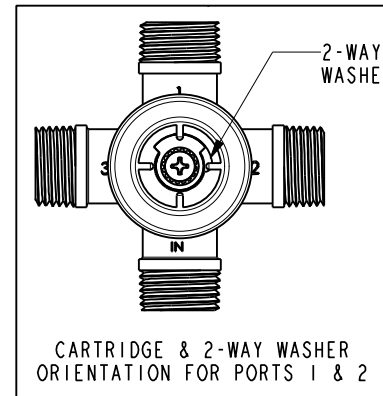
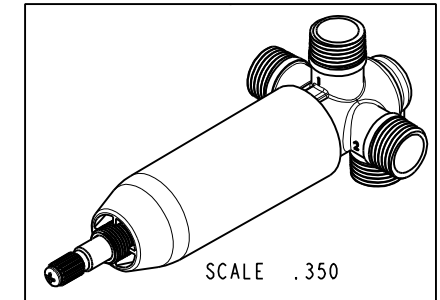
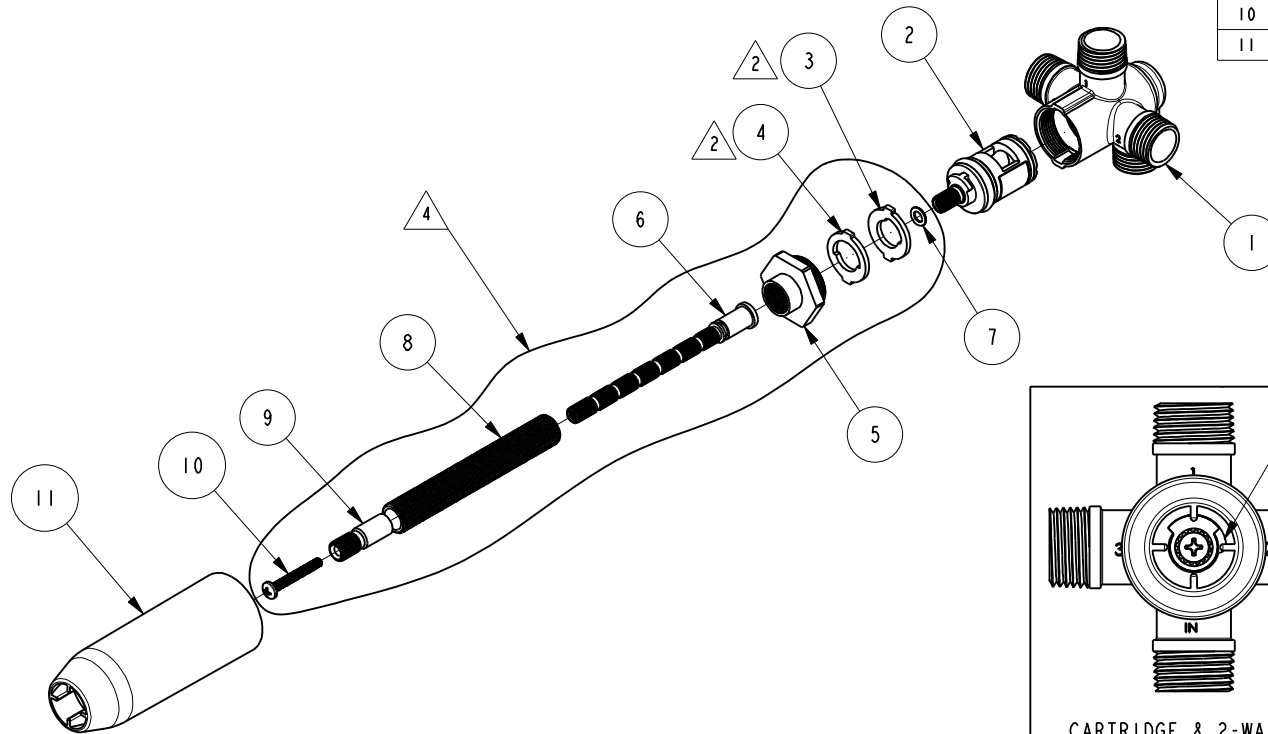


NOTES:

- 1. FIT / FORM / FUNCTION SHALL FOLLOW PS-E.008.
- 2. OPTIONAL 2 AND 3 WAY WASHER SUPPLIED ONLY ONE REQUIRED. 3-WAY INSTALLED, 2-WAY SUPPLIED SEPARATELY.
- 3. APPROVED SUPPLIER: A) OMNI BRASS PN: BV631 (16T).
- 4. PARTS INCLUDED IN SPARES KIT 1-617-2.
- 5. IF CARTRIDGE STEM LENGTH IS TOO SHORT, OPTIONAL STEM EXTENSION KIT #1-384 CAN BE PURCHASED TO EXTEND STEM LENGTH.

BILL OF MATERIAL (CURRENT LEVEL)

ITEM	PT/ASSY	DESCRIPTION	TYPE	QTY.
1	11352	BODY DVTR ASM	PART	1
2	1-189	CARTRIDGE 2 & 3 WAY	PART	1
3	91439	WASHER 2 WAY	PART	1
4	91440	WASHER 3 WAY	PART	1
5	11351	DIVERTER BONNET	PART	1
6	11345	STEM, 20T EXT. FULL BROACH	PART	1
7	91099	O-RING, #2- 009, EPDM, 65-75 DURO	PART	1
8	10631	NIPPLE 9/16-20	PART	1
9	12790	1.20" ADAPTER- 20-T X 16-T	PART	1
10	92850	M4 X .7 X 30 MM PHIL PAN HD SS	PART	1
11	91644	MUD COVER, VALVE 3/4"	PART	1



ZONE	REV	DESCRIPTION	DATE	APPROVED
-	E	EN-3362	02/20/18	C.G.
-	D	EN-3095a	01/24/17	V.V
-	C	EN-2928 & EN-3019	04/05/16	V.V
-	B	EN-2600	09/23/13	-
-	A	EN-2484	03/14/13	-
-	-	EO-0736	06/23/06	-

COPYRIGHT 2005 BRASSTECH, INC. THESE DRAWINGS AND THE DESIGNS DEPICTED HEREIN ARE THE PROPRIETARY PROPERTY OF BRASSTECH. ANY USE OR REPRODUCTION IS SUBJECT TO THE EXPRESS APPROVAL OF BRASSTECH. UNAUTHORIZED USE IS STRICTLY PROHIBITED. ALL RIGHTS RESERVED.

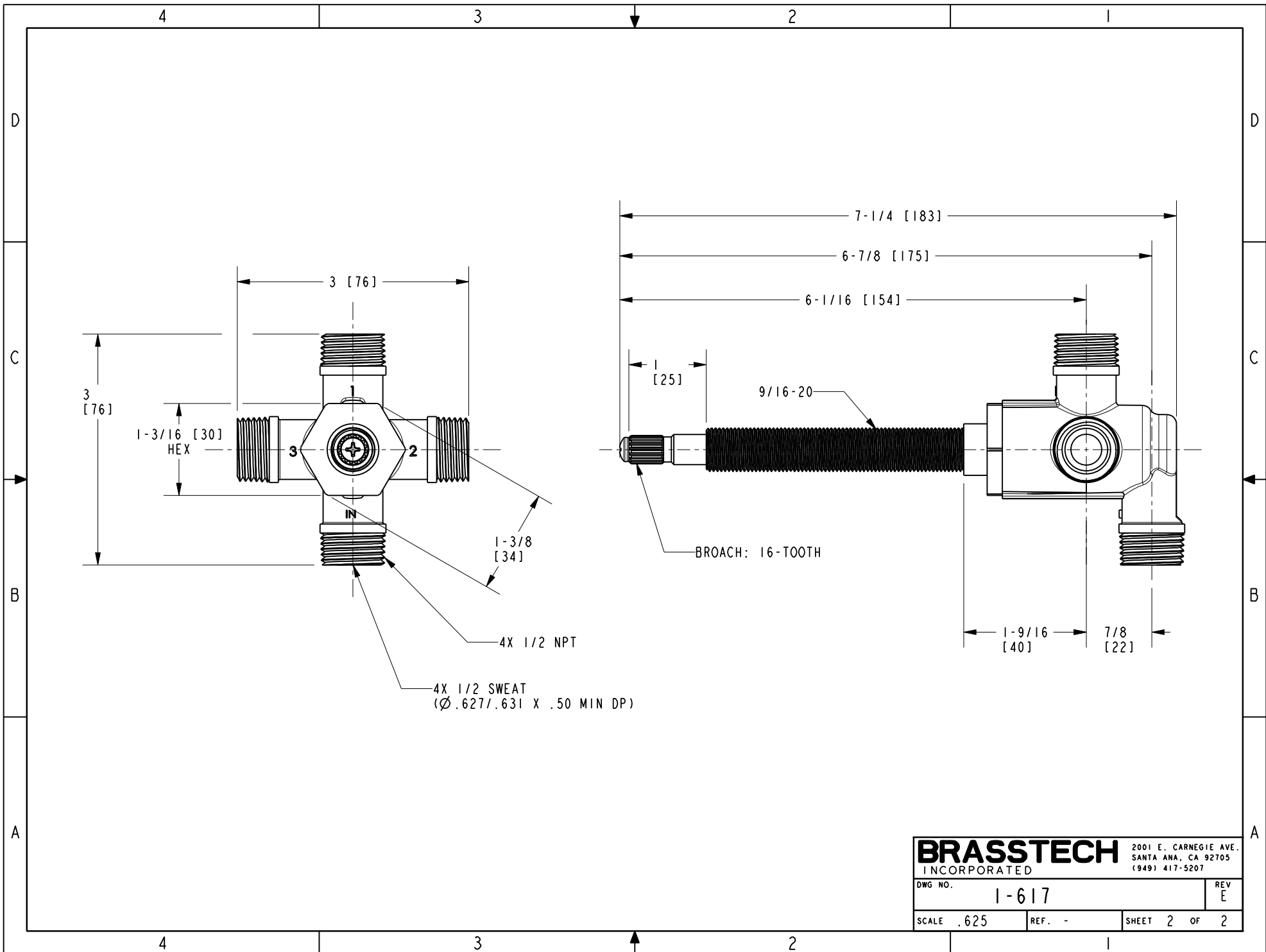
TESTING	ASSEMBLY	PLATING	POLISHING	MACHINING	TOOLING FIXTURE #
-	-	-	-	-	-
-	-	RH-6046	RH-6046	-	-
-	-	NEXT ASSY	USED ON	-	-
-	-	APPLICATION		-	-
-	-	REMOVE ALL BURRS AND SHARP EDGES		-	-

UNITS ARE: INCHES [MM]	TOLERANCES ARE:
FRACTIONS DECIMALS	ANGLES
±1/16"	.X ±.1 [2,5] ±1°
	.XX ±.06 [1,5]
(X.XXX) DENOTES CRITICAL DIMS.	ALL THREADS ARE CRITICAL
DRAWN	JINSON 02/20/18
CHECKED	C.G. 02/20/18
APPROVED	C.G. 02/20/18

BRASSTECH 2001 CARNEGIE AVE. SANTA ANA, CA 92705 (949) 417-5207
INCORPORATED

IN-WALL DIVERTER 2&3 WAY

DWG NO.	1-617	REV	E
SCALE	.300	REF.	-
SHEET	1	OF	2



BRASSTECH		2001 E. CARNEGIE AVE. SANTA ANA, CA 92705 (949) 417-5207	
DWG NO.	1-617	REV	E
SCALE .625	REF. -	SHEET 2	OF 2