

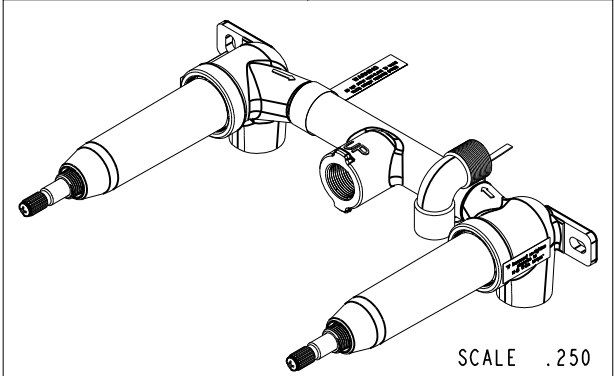
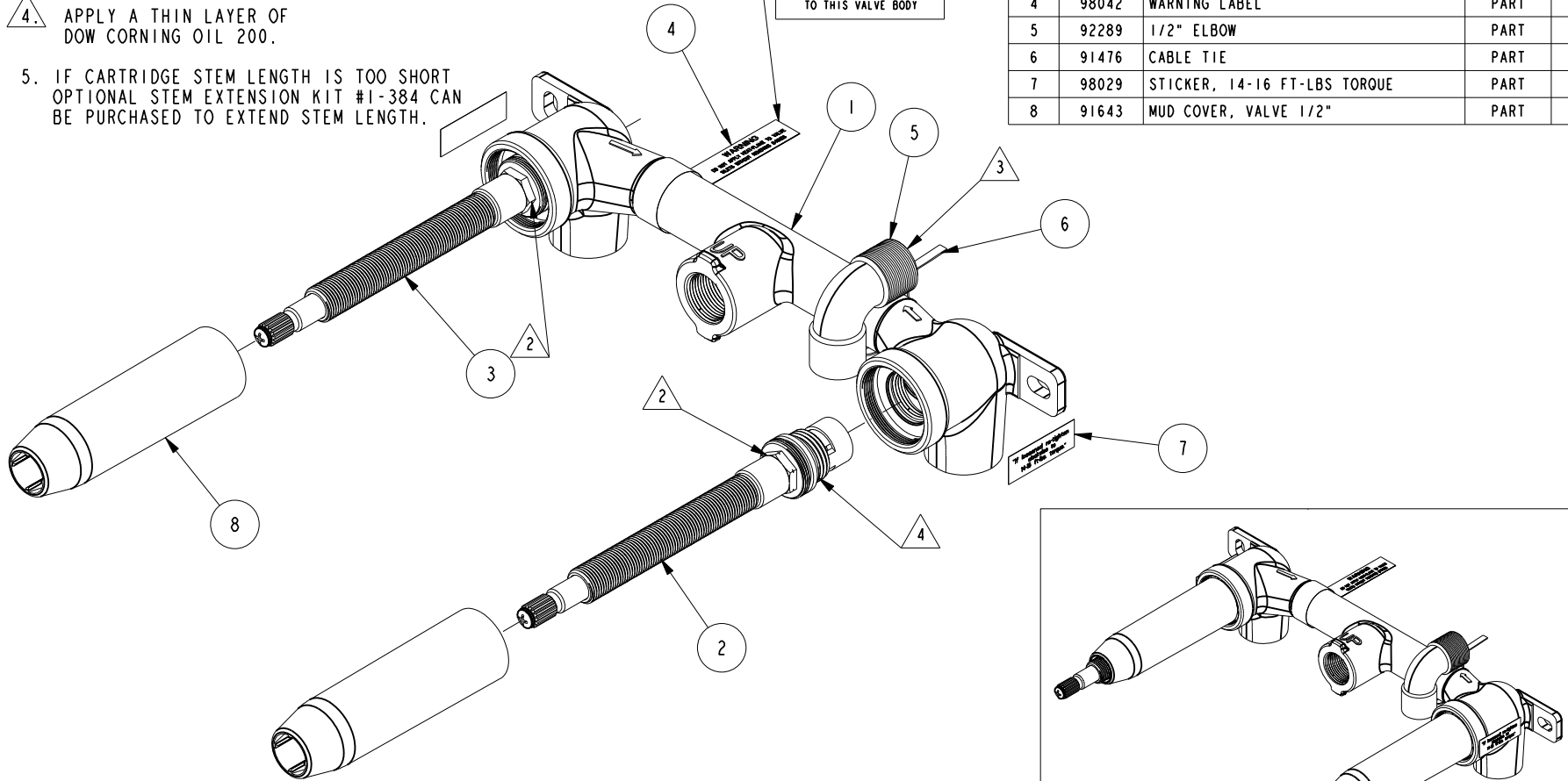
NOTES:

- (N1) 1. FIT / FORM / FUNCTION SHALL FOLLOW PS-E.008.
- 2. TORQUE TO 15-20 FT-LBS.
- 3. ATTACH 1/2" ELBOW TO VALVE BODY USING CABLE TIE.
- 4. APPLY A THIN LAYER OF DOW CORNING OIL 200.
- 5. IF CARTRIDGE STEM LENGTH IS TOO SHORT OPTIONAL STEM EXTENSION KIT #1-384 CAN BE PURCHASED TO EXTEND STEM LENGTH.

WARNING
DO NOT APPLY HEAT/FLAME TO THIS VALVE BODY

BILL OF MATERIAL (CURRENT LEVEL)

ITEM	PT/ASSY	DESCRIPTION	TYPE	QTY.
1	11989	VALVE BODY, IN-WALL LAV 1/2" NPT	PART	1
2	1-510	T/S CARTRIDGE-COLD	ASSEMBLY	1
3	1-511	T/S CARTRIDGE-HOT	ASSEMBLY	1
4	98042	WARNING LABEL	PART	1
5	92289	1/2" ELBOW	PART	1
6	91476	CABLE TIE	PART	1
7	98029	STICKER, 14-16 FT-LBS TORQUE	PART	2
8	91643	MUD COVER, VALVE 1/2"	PART	2



ZONE	REV	DESCRIPTION	DATE	APPROVED
-	G	EN-3362	03/13/18	C.G.
-	F	EN-3286	03/10/17	V.V.
-	E	EN-3095a	01/24/17	V.V.
-	D	EN-2928	11/23/15	V.V.
-	C	EN-2395	12/13/12	-
-	B	EN-1246	06/08/09	-

COPYRIGHT 2005 BRASSTECH, INC. THESE DRAWINGS AND THE DESIGNS DEPICTED HEREIN ARE THE PROPRIETARY PROPERTY OF BRASSTECH. ANY USE OR REPRODUCTION IS SUBJECT TO THE EXPRESS APPROVAL OF BRASSTECH. UNAUTHORIZED USE IS STRICTLY PROHIBITED. ALL RIGHTS RESERVED.

TESTING	ASSEMBLY	PLATING	POLISHING	MACHINING	TOOLING FIXTURE #
-	-	-	-	-	-
-	-	3-2445	3-2445	-	-
-	-	NEXT ASSY	USED ON	-	-
-	-	APPLICATION		-	-
-	-	REMOVE ALL BURRS AND SHARP EDGES		-	-

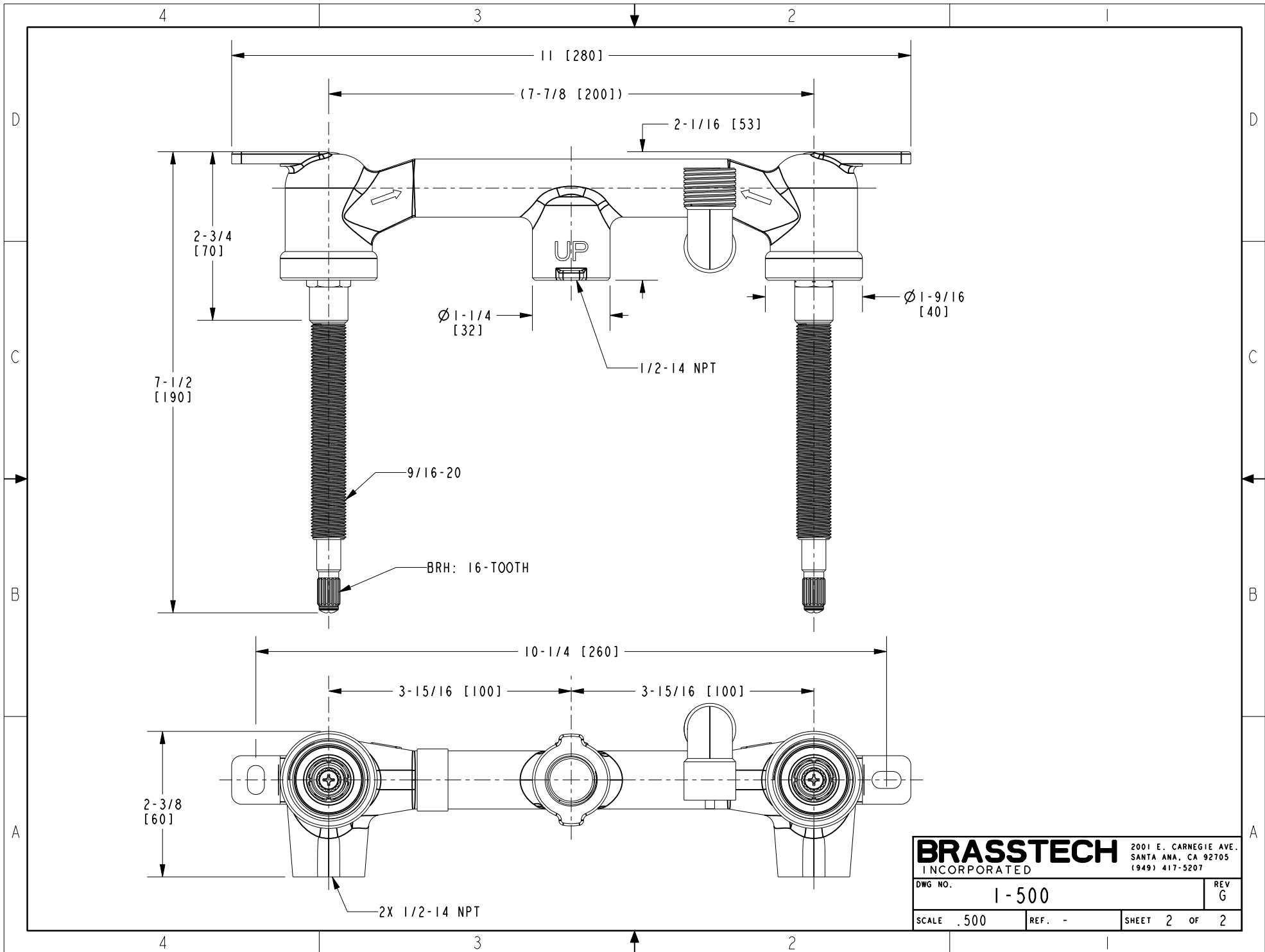
UNITS ARE: INCHES [MM]	TOLERANCES ARE:
FRACTIONS DECIMALS	ANGLES
±1/16"	.X ±.1 [2.5] ±1°
	.XX ±.06 [1.5]
(X.XXX) DENOTES CRITICAL DIMS. ALL THREADS ARE CRITICAL	
DRAWN	JINSON 03/13/18
CHECKED	C.G. 03/13/18
APPROVED	C.G. 03/13/18

BRASSTECH 2001 CARNEGIE AVE. SANTA ANA, CA 92705 (949) 417-5207
INCORPORATED

TUB - VALVE ROUGH

DWG NO. **1-500** REV **G**

SCALE .400 REF. - SHEET 1 OF 2



BRASSTECH		2001 E. CARNEGIE AVE. SANTA ANA, CA 92705 (949) 417-5207	
DWG NO.	1-500	REV	G
SCALE .500	REF. -	SHEET 2	OF 2