

Joleena
Pressure Balance Trim
 Finishes : **chrome** Part no. : **04779000**



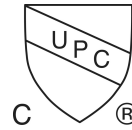
Description

Features

- Flow: 5.44 GPM (20.6 L/Min)
- Integrated bypass for use with diverter tub spouts
- Temperature and on/off control for 1 outlet

Item details

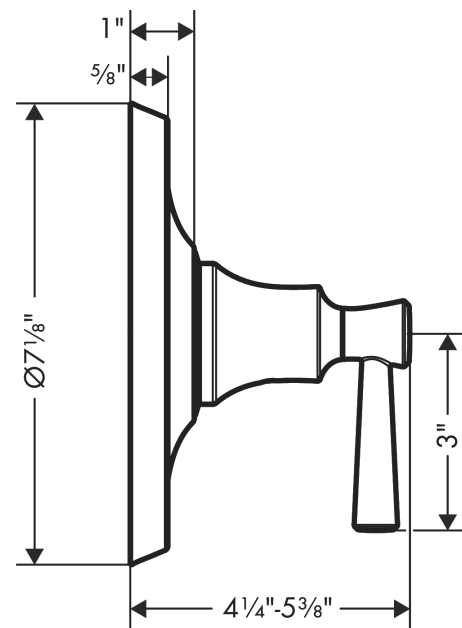
Compliance



Product image



Scale drawing

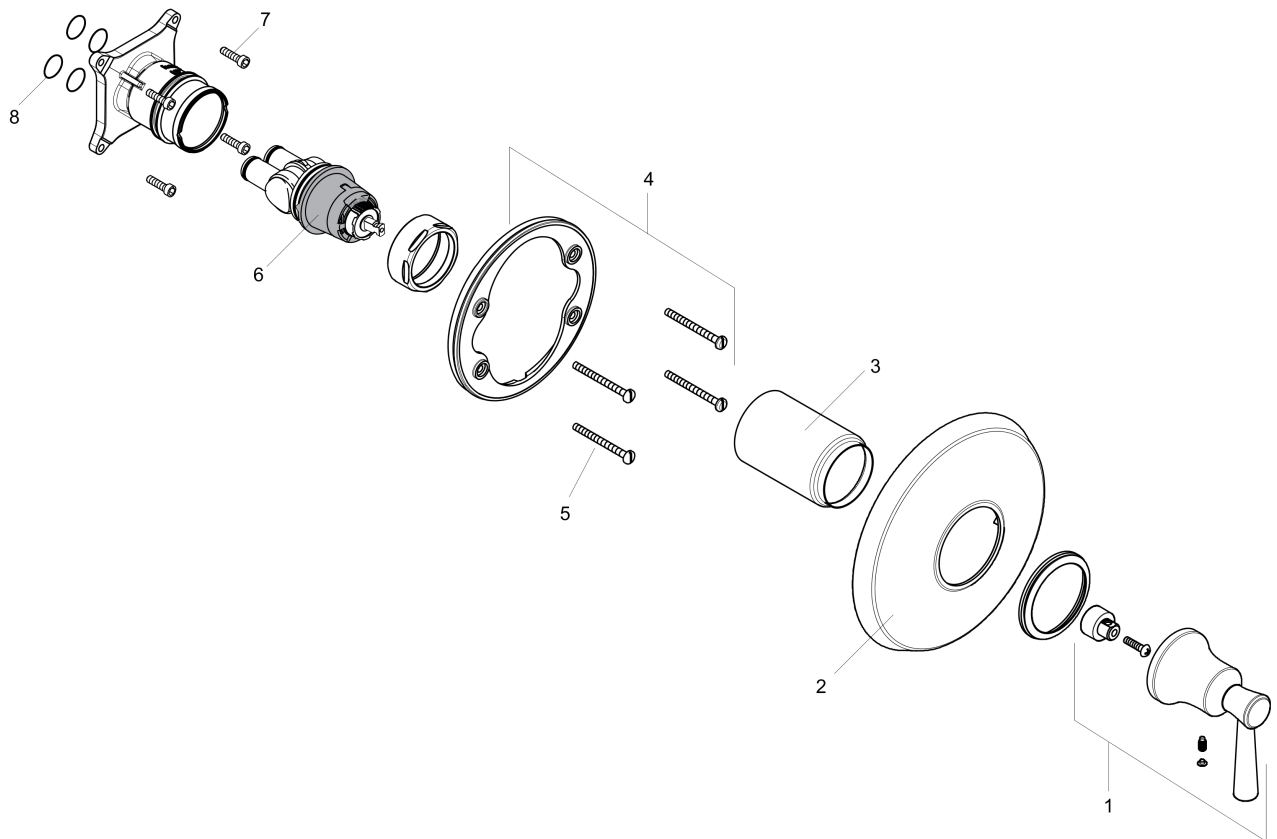


Joleena
Pressure Balance Trim
Finishes : **chrome** Part no. : **04779000**



Exploded drawing

Year of production: >01/20



Joleena
Pressure Balance Trim
 Finishes : **chrome** Part no. : **04779000**



Spare parts list

Year of production: >01/20

Pos.	Description	Part no.	Price	PU
1	handle	93556000	-	1
2	escutcheon	93557000	-	1
3	sleeve	93606000	-	1
4	holder for escutcheon	98793000	-	1
5	set of fixing screws	96454000	-	1
6	cartridge, assy	88727000	-	1
7	set of screws	96525000	-	1
8	O-ring 16x2	98133000	-	1
a	extension 25 mm	13595000	-	1
b	set of fixing screws	97747000	-	1
c	extension 22 mm (Ø 170 mm)	13596000	-	1
d	base body	01850181	-	1