

Raindance Select E
Handshower 120 3-Jet, 2.0 GPM
 Finishes : **chrome** Part no. : **04528000**



Description

Features

- Select button for comfortable alternation of spray modes
- 78 no-clog spray channels
- Spray modes: RainAir, Rain, Whirl
- Flow: 2.0 GPM (7.6 L/Min)
- Fully-finished matching spray face

Item details

Technology



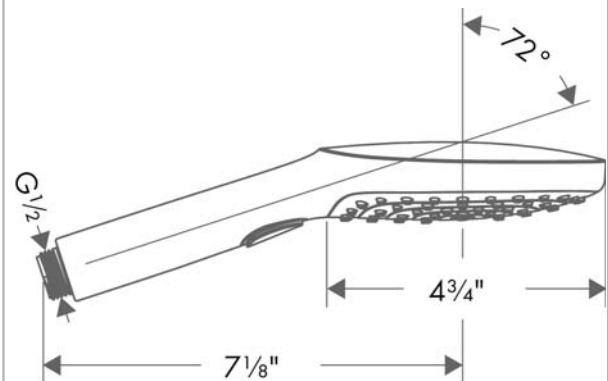
Compliance



Product image



Scale drawing

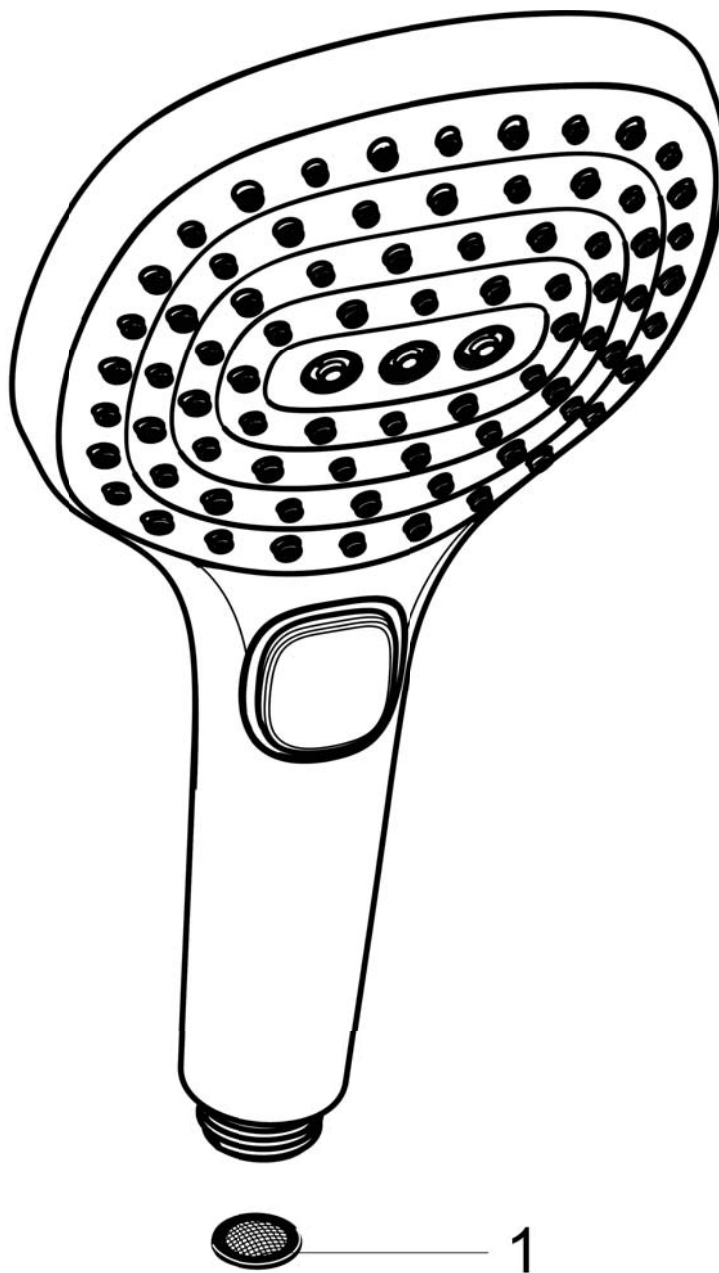


Raindance Select E
Handshower 120 3-Jet, 2.0 GPM
Finishes : chrome Part no. : 04528000



Exploded drawing

Year of production: >01/14



Raindance Select E
Handshower 120 3-Jet, 2.0 GPM
 Finishes : **chrome** Part no. : **04528000**



Spare parts list

Year of production: >01/14

Pos.	Description	Part no.	Price	PU
1	filter packing	94246000	-	1