

Talis S²
Prep Kitchen Faucet, 2-Spray Pull-Down, 1.75 GPM
 Finishes : **steel optic** Part no. : **04286800**



Description

Features

- Swivel range 150°
- Full and needle spray
- Number of sprays: 2 spray modes
- Non-locking spray diverter
- MagFit magnetic sprayhead docking
- Single-hole installation
- Flow: 1.75 GPM (6.6 L/Min)
- Ceramic cartridge
- 3/8" hoses
- Integrated double backflow prevention

Item details

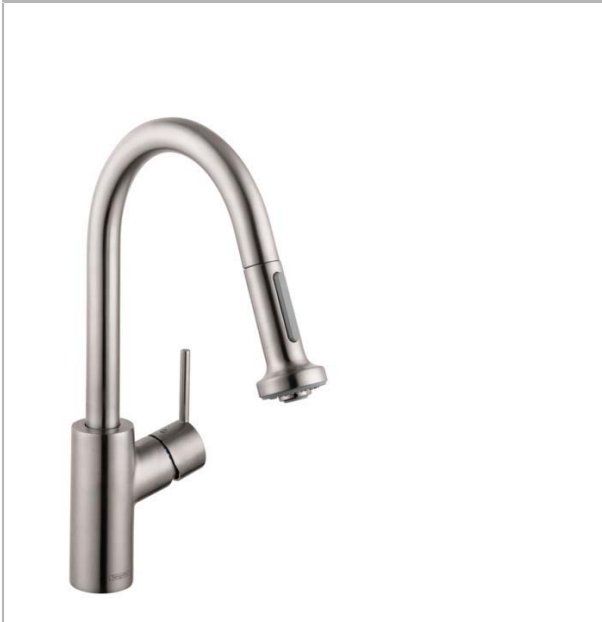
Technology



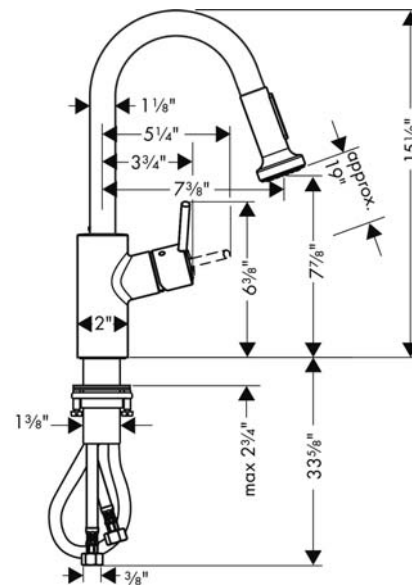
Compliance



Product image



Scale drawing

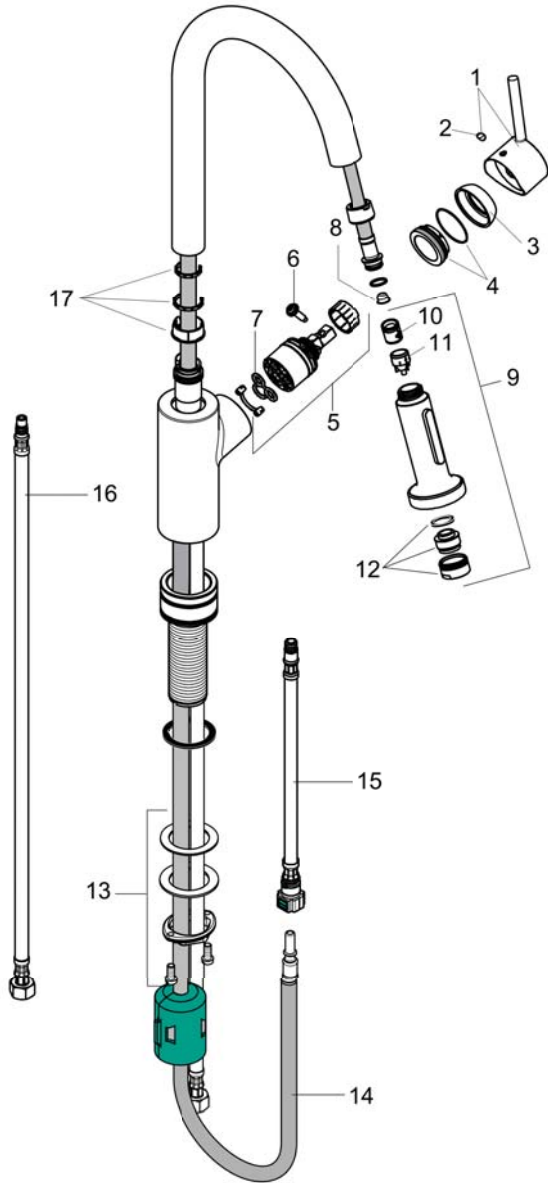


Talis S²
Prep Kitchen Faucet, 2-Spray Pull-Down, 1.75 GPM
Finishes : steel optic Part no. : 04286800



Exploded drawing

Year of production: >10/18



Talis S²
Prep Kitchen Faucet, 2-Spray Pull-Down, 1.75 GPM
 Finishes : **steel optic** Part no. : **04286800**



Spare parts list

Year of production: >10/18

Pos.	Description	Part no.	Price	PU
1	handle	95560800	-	1
2	screw cover	96338000	-	1
3	flange	95498800	-	1
4	nut	97209000	-	1
5	cartridge, assy	92730000	-	1
6	locking screw for handle	95140000	-	1
7	seal	95008000	-	1
8	filter	97735000	-	1
9	spray head cpl.	88658860	-	1
10	non return valve	93218000	-	1
11	set of non return valves DW 15	97350000	-	1
12	aerator M24x1 (15 l/min)	13913800	-	1
13	fixing set (Ø 34)	95049000	-	1
14	hose 1,50 m	88624000	-	1
15	connection hose 600 mm M10x1	95561000	-	1
16	connection hose 35½" M8x0,75 3/8"	96316001	-	1
17	set of lever collars	98365000	-	1