

Ecostat
Pressure Balance Trim S
 Finishes : **brushed nickel** Part no. : **04233820**



Description

Features

- Flow: 5.5 GPM (20.6 L/Min)
- Integrated bypass for use with diverter tub spouts
- Temperature and on/off control for 1 outlet

Item details

List Price

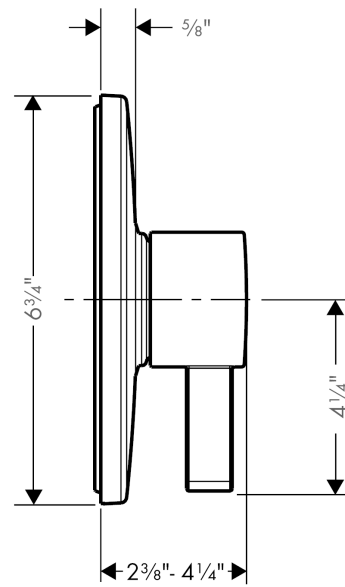
Compliance



Product image



Scale drawing



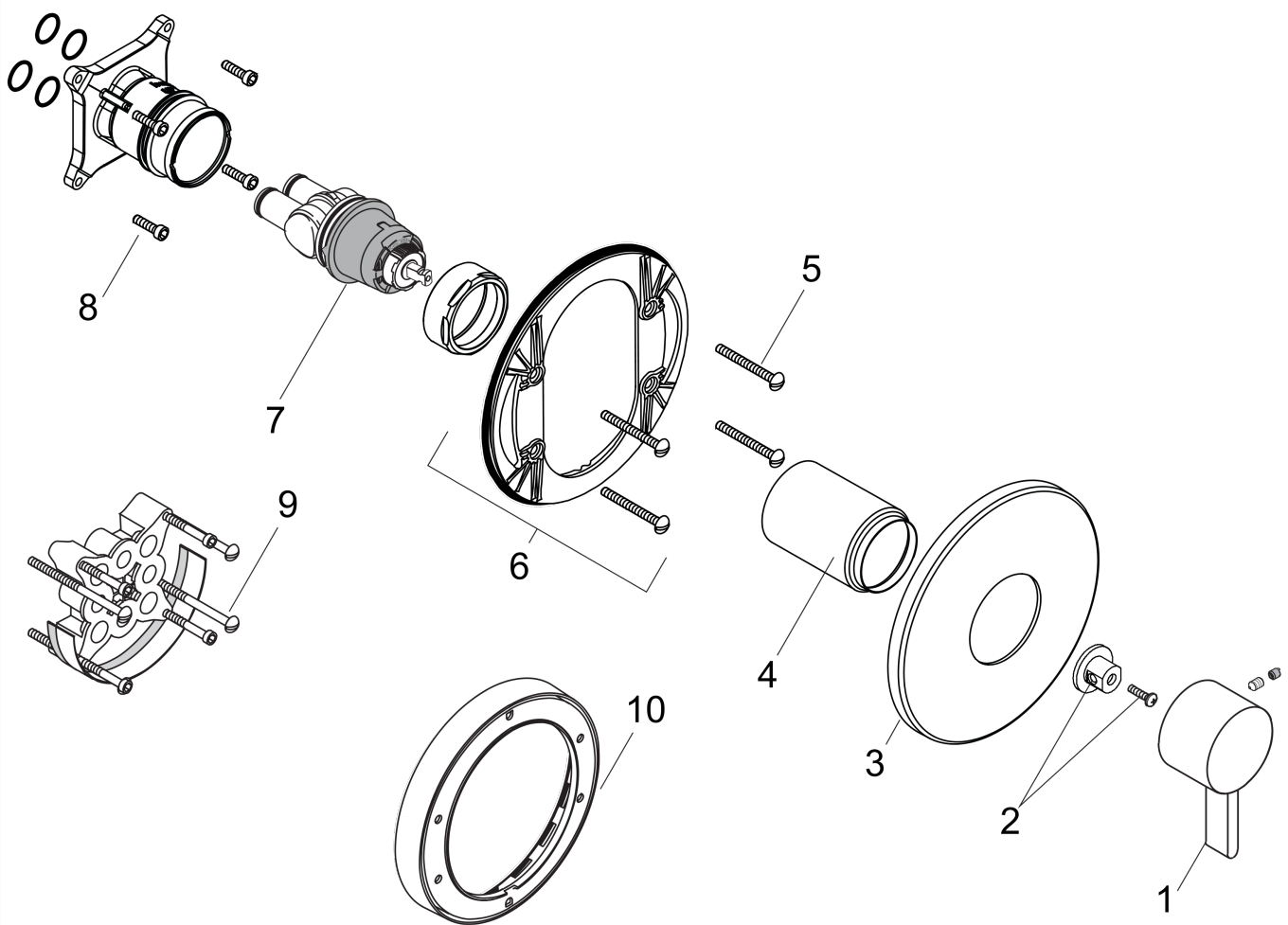
Ecostat
Pressure Balance Trim S
 Finishes : **brushed nickel**

Part no. : **04233820**



Exploded drawing

Year of production: **>05/10**



Ecostat

Pressure Balance Trim S

Finishes : **brushed nickel**

Part no. : **04233820**



Spare parts list

Year of production: >05/10

Pos.	Description	Part no.	Price	PU
1	handle	88763000	-	1
2	adapter for handle	92756000	-	1
3	escutcheon	88760820	-	1
4	sleeve	88765820	-	1
5	set of fixing screws	96454000	-	1
6	sub plate	96447000	-	1
7	cartridge, assy	88727000	-	1
8	set of screws	96525000	-	1
9	extension 25 mm	13595000	-	1
10	extension 22 mm (Ø 170 mm)	13596820	-	1