

Talis C
Bar Faucet, 1.5 GPM
 Finishes : **polished nickel** Part no. : **04217830**



Description

Features

- consists of: Single lever kitchen mixer
- Swivel range 150°
- Aerated spray
- Number of sprays: 1 spray mode
- Single-hole installation
- Flow: 1.5 GPM (5.7 L/Min)
- Ceramic cartridge
- 3/8" hoses

Item details

Technology



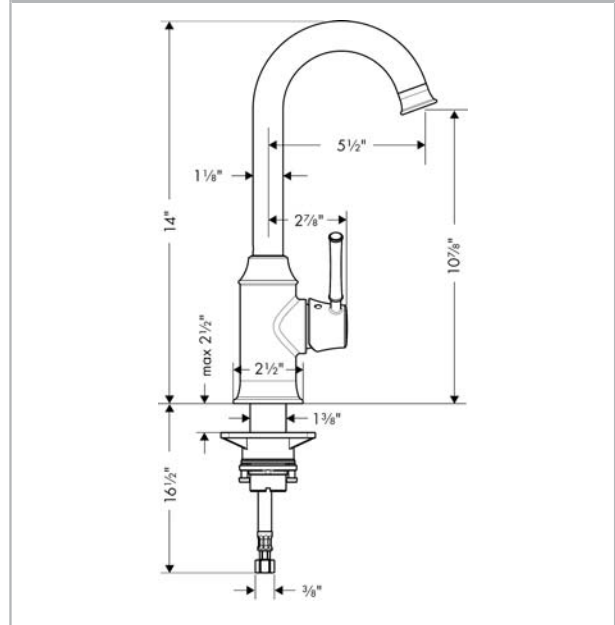
Compliance



Product image



Scale drawing



Talis C

Bar Faucet, 1.5 GPM

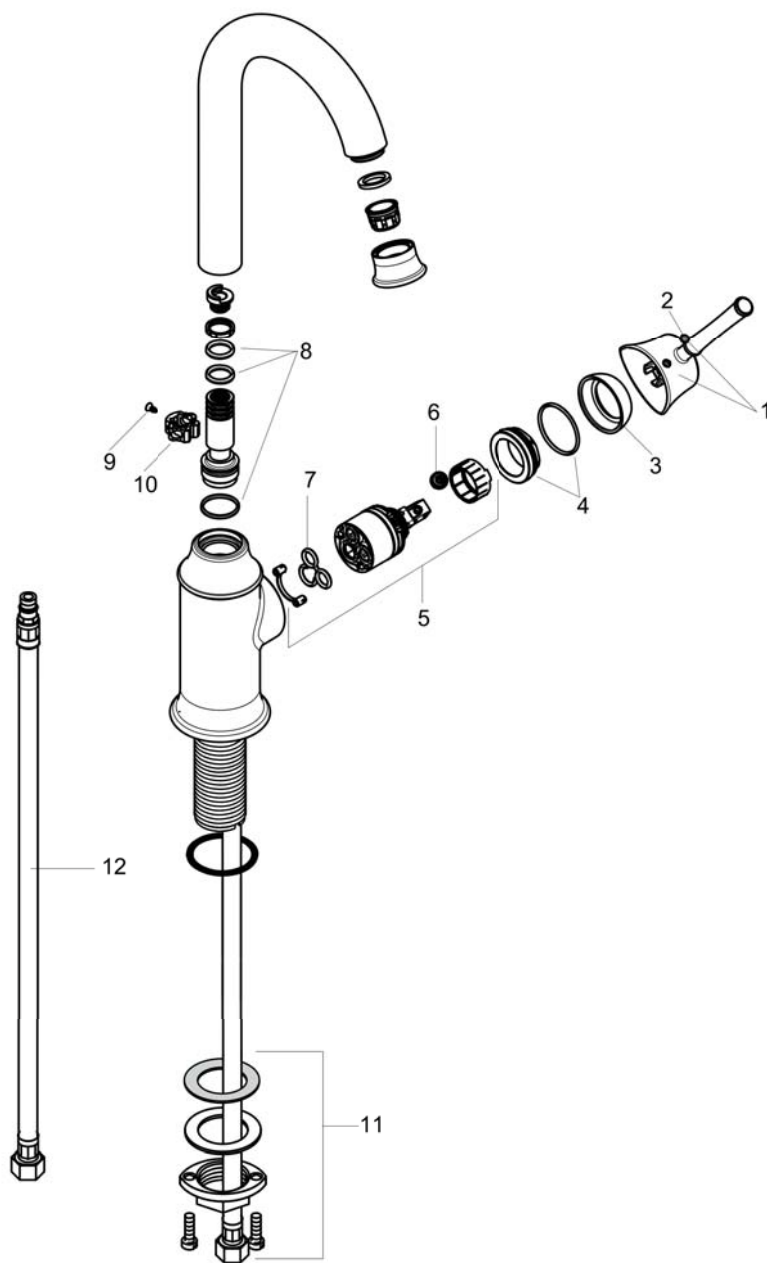
Finishes : **polished nickel**

Part no. : **04217830**



Exploded drawing

Year of production: **>10/18**



Talis C

Bar Faucet, 1.5 GPM

Finishes : **polished nickel** Part no. : **04217830**



Spare parts list

Year of production: >10/18

Pos.	Description	Part no.	Price	PU
1	handle	95900830	-	1
2	screw cover	96338000	-	1
3	flange	96468830	-	1
4	nut	96461000	-	1
5	cartridge, assy	92730000	-	1
6	locking screw for handle	96059000	-	1
7	seal	95008000	-	1
8	sealing set	92646000	-	1
9	screw	97662000	-	1
10	axialring	97558000	-	1
11	fixing set (Ø 34)	95049000	-	1
12	connection hose 35½" M8x0,75 3/8"	96316001	-	1