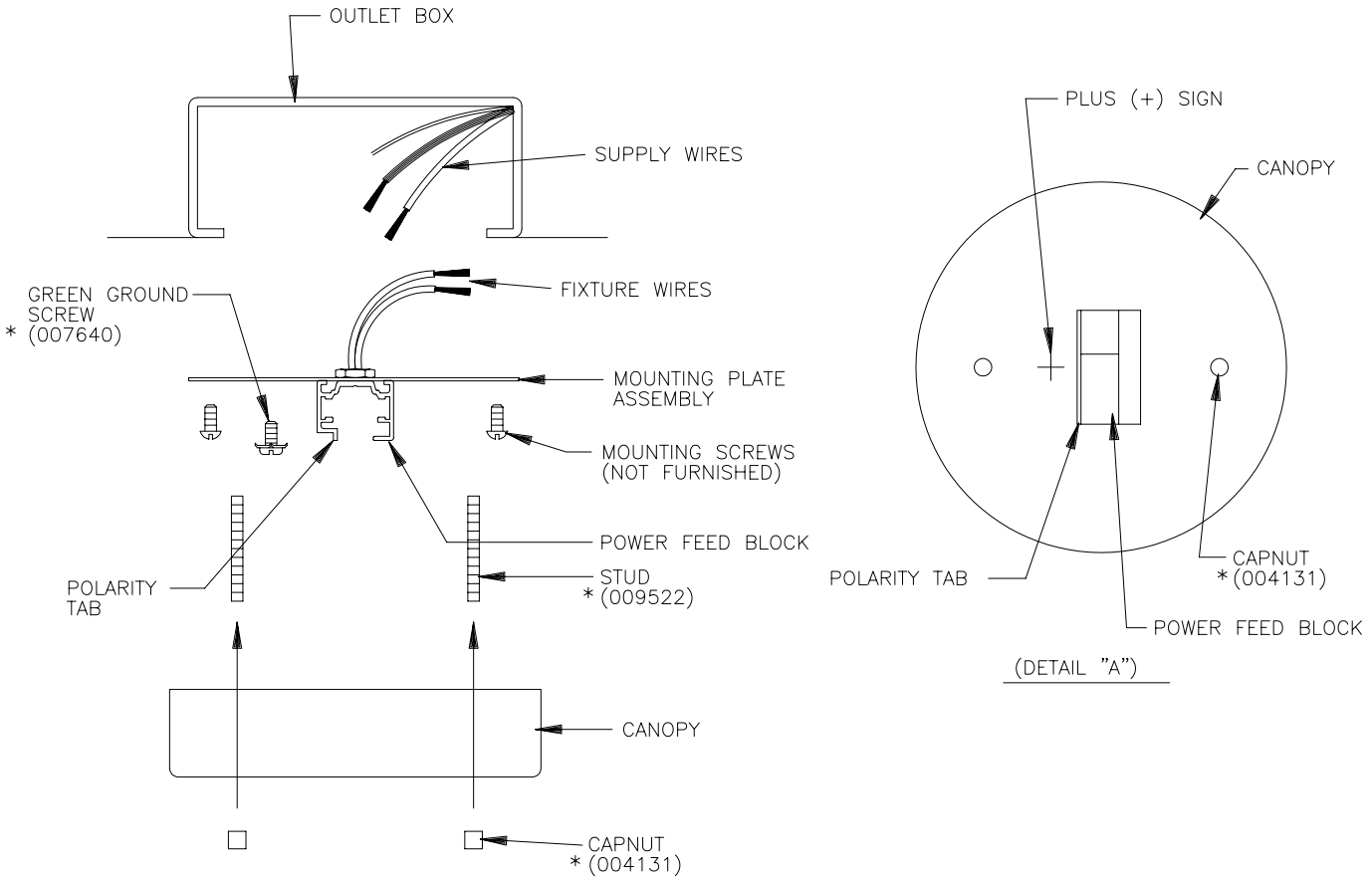


8734-31 , 9113-28

WARNING - IF ANY SPECIAL CONTROL DEVICES ARE USED WITH THIS FIXTURE, FOLLOW THE INSTRUCTIONS CAREFULLY TO ASSURE FULL COMPLIANCE WITH N.E.C. REQUIREMENTS. IF THERE ARE ANY QUESTIONS, CONTACT A QUALIFIED ELECTRICAL CONTRACTOR.

WARNING - This product contains chemicals known to the State of California to cause cancer, birth defects and /or other reproductive harm. Thoroughly wash hands after installing, handling, cleaning, or otherwise touching this product.



* ITEMS INCLUDED IN PARTS BAG.

- 1.- CONNECT SUPPLY GROUND WIRE TO MOUNTING PLATE ASSEMBLY WITH GREEN GROUND SCREW. CONNECT WHITE SUPPLY WIRE TO WHITE FIXTURE WIRE. CONNECT BLACK SUPPLY WIRE TO BLACK FIXTURE WIRE. USE U.L.LISTED WIRENUTS (NOT FURNISHED) TO MAKE CONNECTIONS.
- 2.- FASTEN MOUNTING PLATE ASSEMBLY TO OUTLET BOX WITH MOUNTING SCREWS FROM OUTLET. THREAD STUDS INTO MOUNTING PLATE ASSEMBLY.
- 3.- SLIP CANOPY UP OVER STUDS WITH RETANGULAR OPENING OVER POWER FEED BLOCK. MAKE SURE PLUS (+) SIGN, ON CANOPY, IS ON SAME SIDE AS POLARITY TAB. SECURE IN PLACE WITH CAPNUTS. DO NOT OVER TIGHTEN. (SEE DETAIL "A")

(SEE REVERSE SIDE FOR INSTALLATION OF PROGRESS LAMP HOLDERS.)

- 1.- POSITION THE MOUNTING HEAD WITH SUPPORT WINGS PARALLEL TO THE POWER FEED BLOCK. THE PLUS (+) SIGN LOCATED ON THE MOUNTING HEAD AND LOCK-UP COLLAR MUST BE ALIGNED WITH THE PLUS (+) SIGN LOCATED ON THE CANOPY. (SEE FIGURE 1)

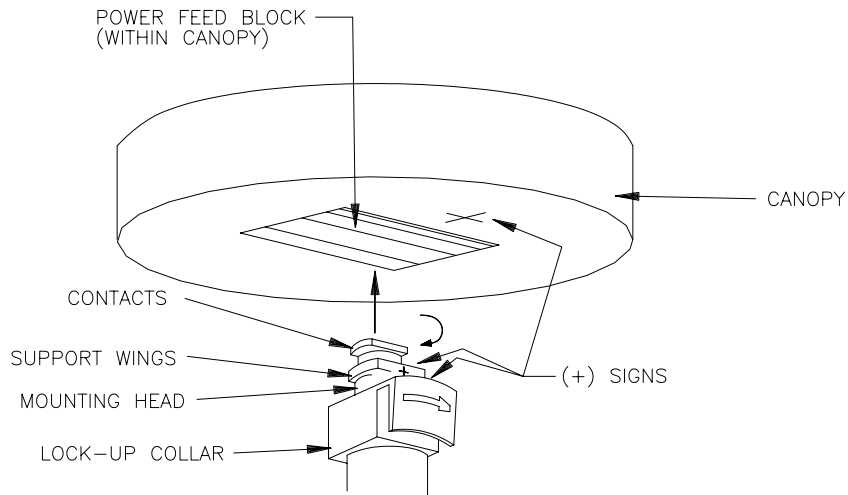


FIGURE 1

- 2.- PUSH THE MOUNTING HEAD FIRMLY UP INTO THE POWER FEED BLOCK AND TURN IT 90° CLOCKWISE TO ENGAGE THE MOUNTING HEAD CONDUCTORS WITH THE POWER FEED BLOCK CONDUCTORS. (SEE FIGURE 1)

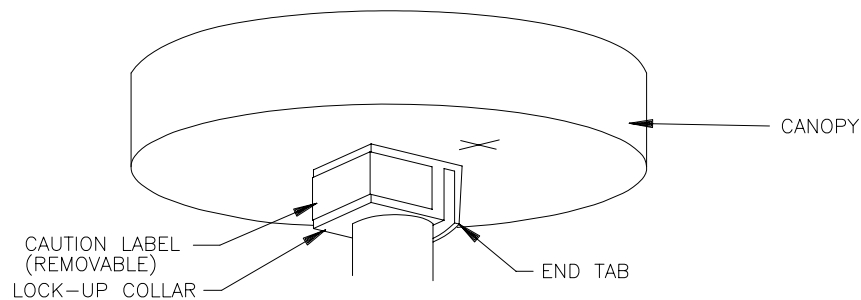


FIGURE 2

- 3.- PRESS END TAB, ON LOCK-UP COLLAR, AND TURN CLOCKWISE TO SECURE MOUNTING HEAD FIRMLY INTO CANOPY. (SEE FIGURE 2)
- 4.- AFTER INSTALLATION, CAUTION LABEL MAY BE REMOVED FROM LOCK-UP COLLAR.

NOTE: IN THOSE FIXTURE ASSEMBLIES FURNISHED WITH A REMOVABLE STEP BAFFLE, IT MAY FACILITATE INSTALLING OR CHANGING LAMPS IF THE BAFFLE IS FIRST REMOVED, BY GENTLY TWISTING AND PULLING THE BAFFLE OUT OF THE LAMPHOLDER.